

• FAN HEATERS

REV 0108

FAN HEATERS



HEATING SYSTEM

FAN HEATERS

ELEKTRA V - A FAN HEATER FOR EXTREME CONDITIONS

General Data

Elektra is a high quality product. The compact Elektra is manufactured from stainless steel and is primarily intended for fixed installation. The brackets can be angled for portable use if required.

Elektra V is for use on ships and within the offshore industry, withstands vibrations and humidity.

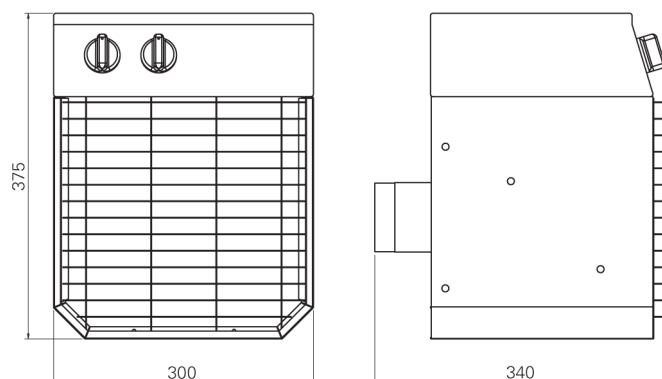
- Installation: For fixed installation or portable use.
- Materials: Casing stainless steel. Grille and bracket: RAL 30200 (red)
- Output: 3, 6, 9 and 15 kW
- Voltage: 400V/3~/50Hz - 440V/3~/60Hz
- It has reinforced electrical insulation, motor and heating elements have a construction that absorbs vibrations.
- Certificates: Approved by SEMKO, CE and Det Norske Veritas.

Technical specifications

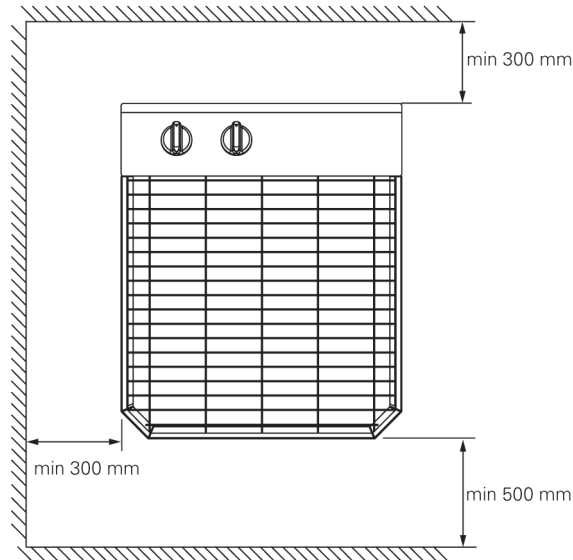
Type	Output stages [kW]	Airflow [m3/h]	Voltage [V]	Amperage [A]	HxWxD [mm]	Weight [kg]	Sound Level [dB(A)]
ELV3333	0/1.5/3	400	400V/3~/50Hz 440V/3~/60Hz	4.2/4.9	375x300x340	13	48 ¹⁾
ELV3344	0/1.8/3.6	400	400V/3~/50Hz 440V/3~/60Hz	4.7/5.3	375x300x340	13	48 ¹⁾
ELV5333	0/2.5/5	700	400V/3~/50Hz 440V/3~/60Hz	6.8/7.8	375x300x340	13	48 ¹⁾
ELV6344	0/3/6	700	400V/3~/50Hz 440V/3~/60Hz	7.4/8.5	375x300x340	13	48 ¹⁾

1) Distance to fan: 5 metres

Dimensions



Service Spaces



Mounting

It is primarily intended for wall mounting, but the brackets can be angled for portable use. The heat output is controlled by the built in thermostat (+5 -+ 35 °C).

The on/off mode, and half or full heat output can be controlled with the output selector on the unit or with an external control panel mounted on to the wall for easy access.

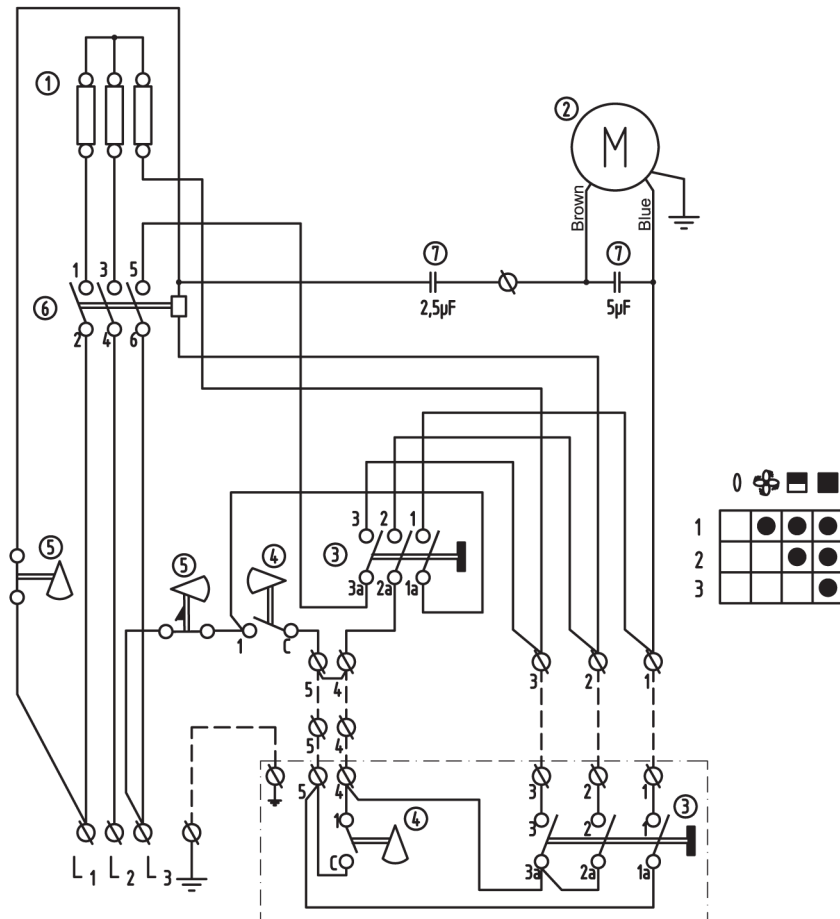
Accessories

For fixed installation the heater can be controlled by an external control panel with a built in thermostat 0-35°C. It is also possible to use only an external thermostat to control the heat output. The accessories can only control one unit.

Description	Dimensions HxWxD [mm]
Control panel with room thermostat	175x150x100
External thermostat, IP55	165x60x57

Wire Drawing

Elektra V
 ELV3333, ELV5333 (400V3~, 50Hz)
 ELV3344, ELV6344 (440V3~, 60Hz)



400V3~ 50Hz /
 440V3~ 60Hz ELSRT

1. Element
2. Fan motor
3. Switch
4. Thermostat
5. Overheat protection
6. Contactor
7. Capacitor

OTHER VERSIONS

Fan Heaters are available in other versions:

1 - For use in Corrosive Environments:

- For use in humid and aggressive environments e.g. car-wash areas.

2 - For Hazardous Areas:

- Its available fan heater explosion proof type.

