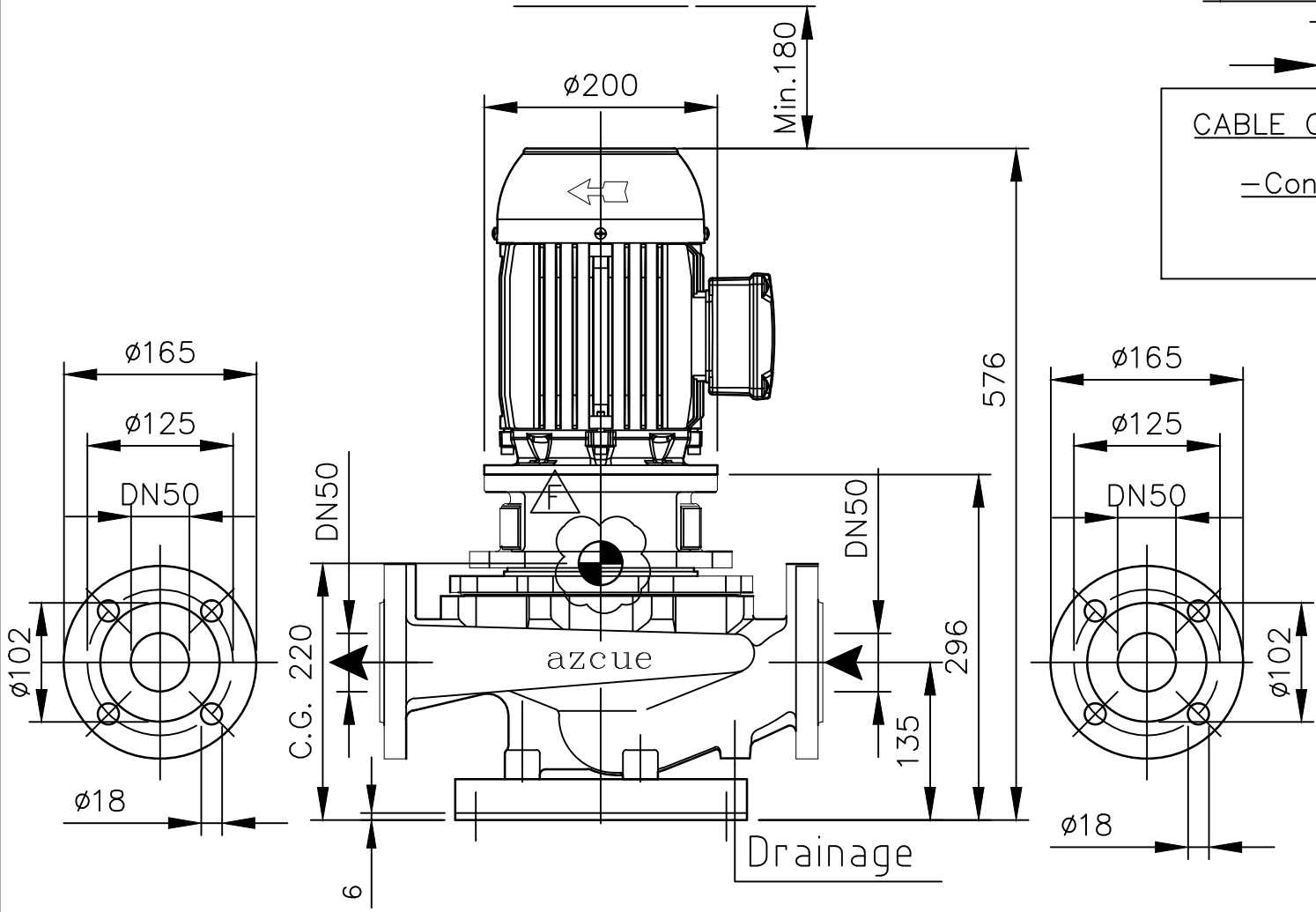
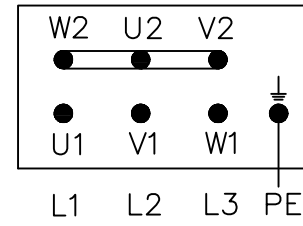


CABLE GLANDS:
 -Connections: 2xM25x15 (ø11 min. - ø16 max.cable)



TAG	QTY	ASSOCIATED EQUIPMENT	FLOW RATE (m3/h)	ELECT. POWER (kW)	VOLTAGE	CLASS.	APROX. WEIGHT (Kg)
PMP-CHW00004	1		8.9	1.7	3x440/60	(W)	96

REV.	DESCRIPTION	DATE	DRAWN	VERIFIED	APPROVED
F	UPDATED	06/06/19	JCR	MRH	MRH
E	UPDATED	18/03/19	JCR	MRH	MRH
D	UPDATED	12/02/19	JCR	MRH	MRH
C	UPDATED	05/03/18	JPA	MRH	MRH
B	UPDATED	17/10/17	JCR	MRH	MRH
A	FOR INFO./COMMENTS	07/08/17	JCR	MRH	MRH

PROJECT:
 AVANTE 2200



DESCRIPTION:
 CHILLED WATER PUMPS

DRAWING NUMBER:
 P-M05462-013

SCALE: NTS FORMAT: A3 SHEET: 02/02