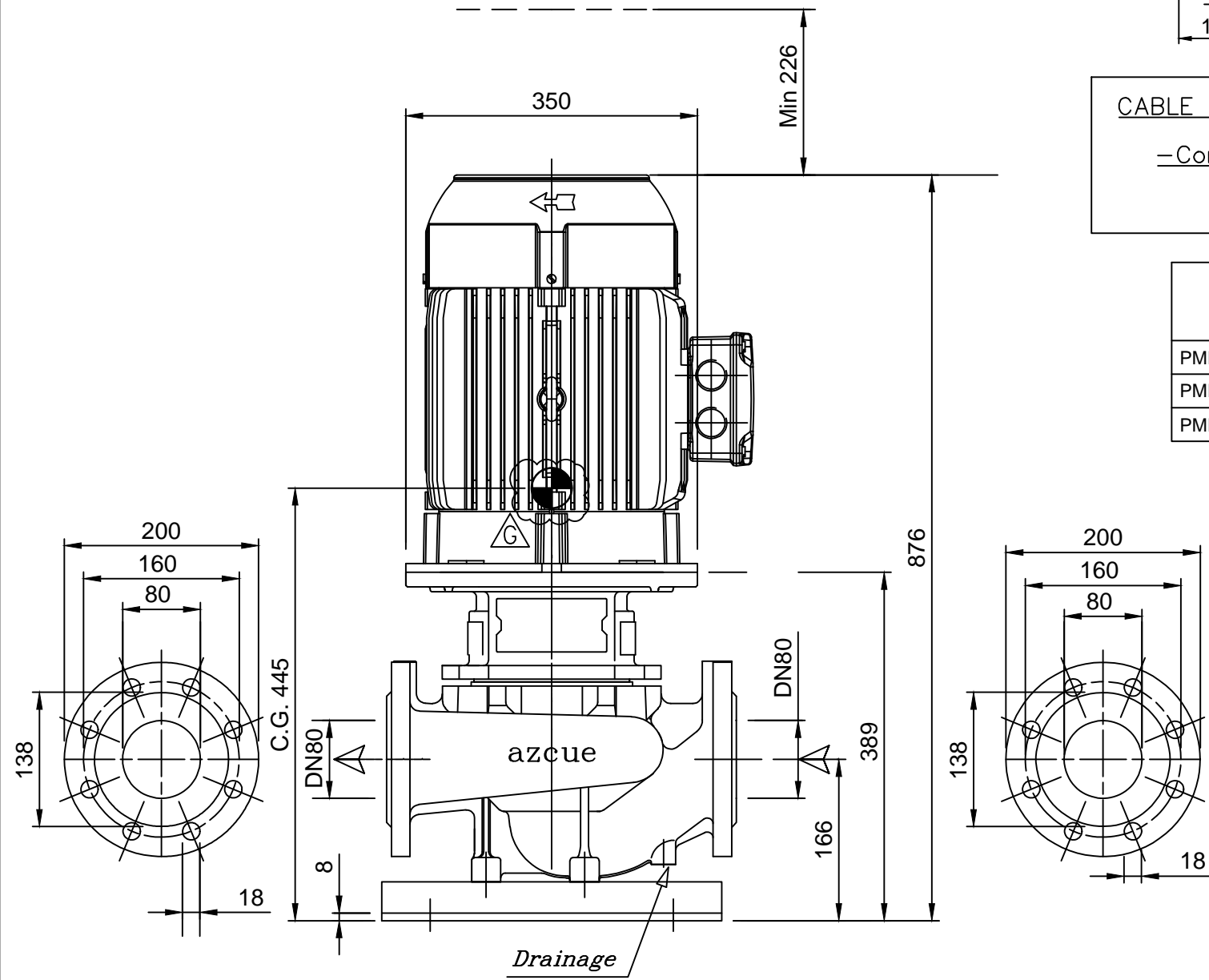
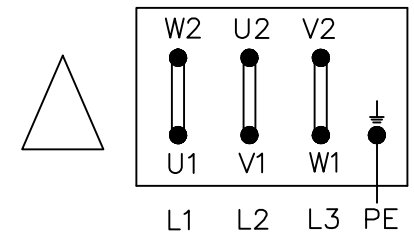



CABLE GLANDS:
 -Connections: 2xM40x1.5(ø19 min.-ø27 max.cable) .
 1xM20x1.5(ø9 min.-ø14 max.cable) .



TAG	QTY	ASSOCIATED EQUIPMENT	FLOW RATE (m3/h)	ELECT. POWER (kW)	VOLTAGE	CLASS.	APROX. WEIGHT (Kg)
PMP-ASW00005	1		82,5	12,6	3x440/60	W	259
PMP-ASW00006	1		82,5	12,6	3x440/60	W	259
PMP-ASW00007	1		82,5	12,6	3x440/60	W	259

G	UPDATE	06/06/19	JCR	MRH	MRH
F	UPDATE	18/03/19	JCR	MRH	MRH
E	UPDATE	12/02/19	JCR	MRH	MRH
D	UPDATE	06/09/18	JCR	MRH	MRH
C	UPDATE	10/08/18	JCR	MRH	MRH
B	UPDATE	16/04/18	JCR	MRH	MRH
A	FOR INFO./COMMENTS	07/08/17	JCR	MRH	MRH
REV.	DESCRIPTION	DATE	DRAWN	VERIFIED	APPROVED

PROJECT: AVANTE 2200



DESCRIPTION: SEA WATER PUMPS

DRAWING NUMBER: P-M05462-014

SCALE: NTS FORMAT: A3 SHEET: 01/02