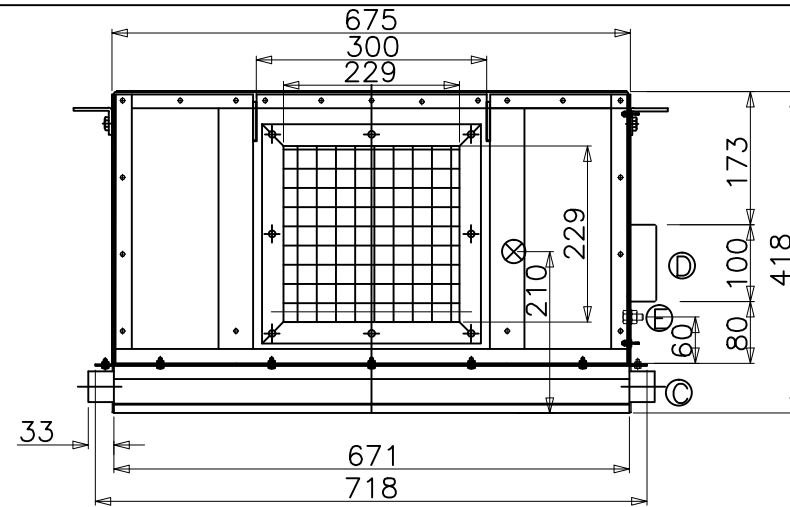
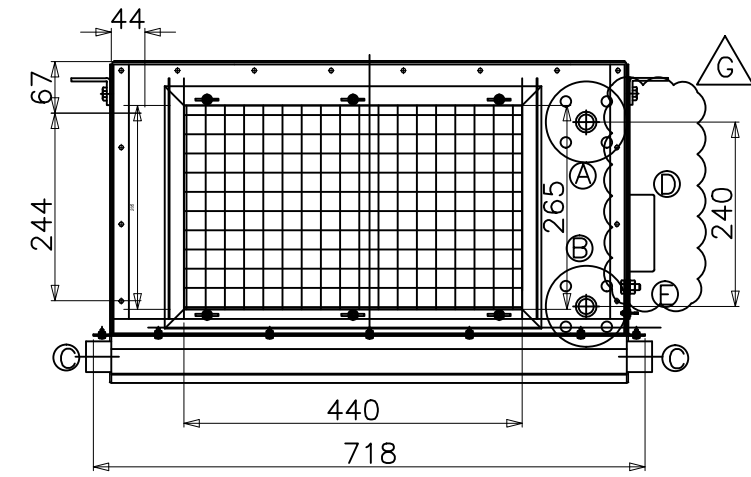


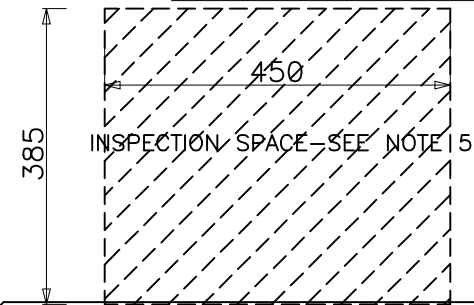
INTERIOR SIDE VIEW



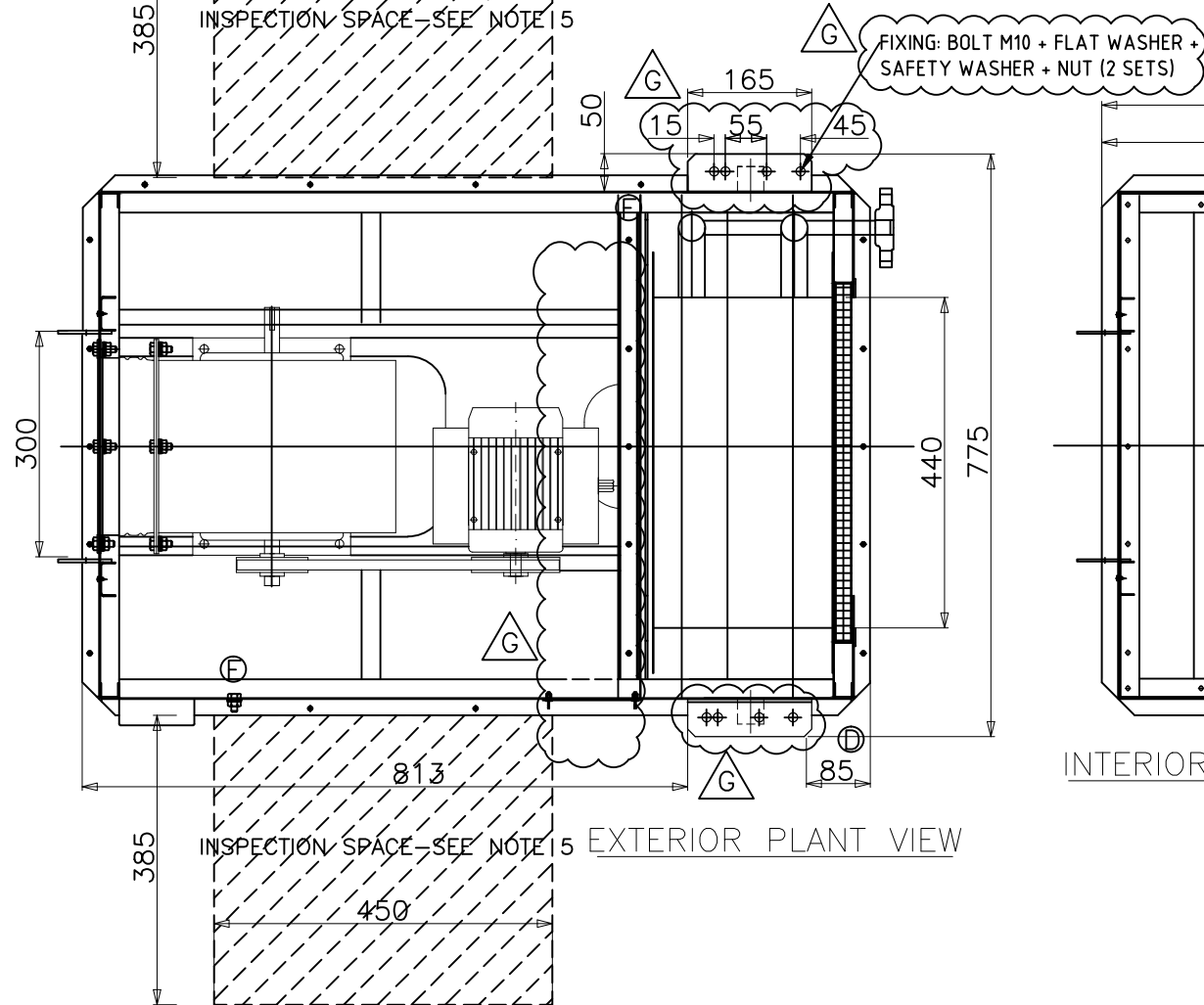
AIR OULET SIDE



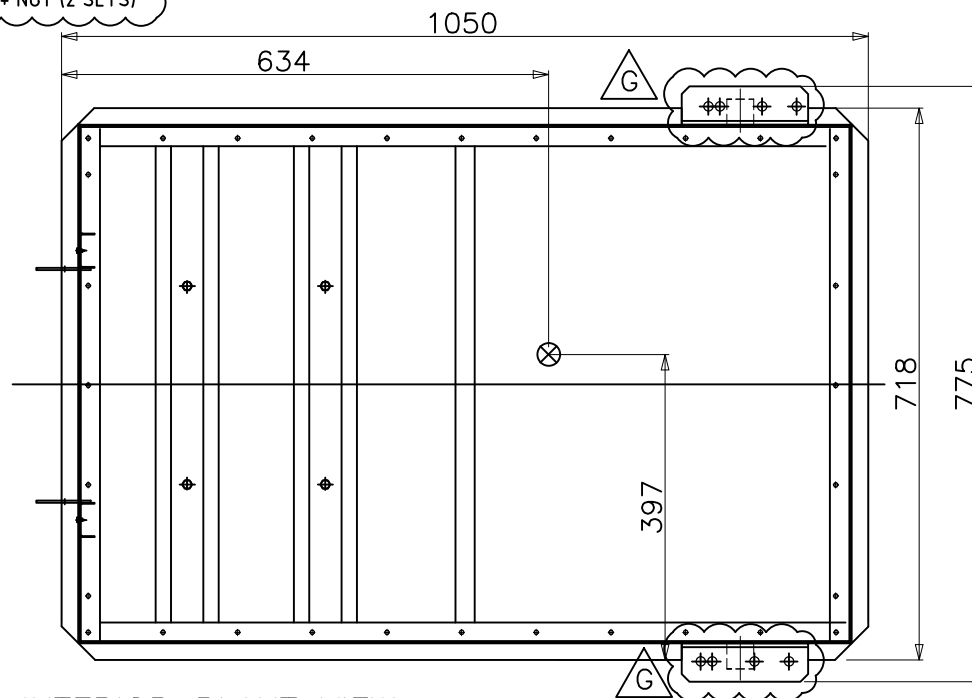
AIR INTAKE SIDE



INSPECTION SPACE - SEE NOTE 15

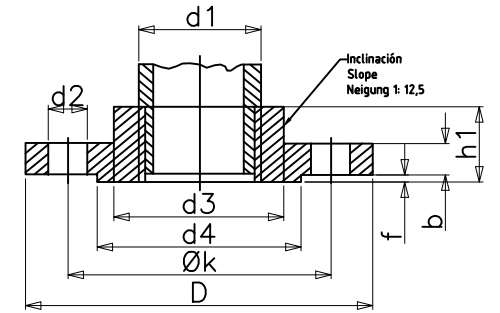


EXTERIOR PLANT VIEW



INTERIOR PLANT VIEW

EQUIPMENT  
UC53 RIGHT CONECTION



DETAILS FLANGES THREADED NECK

Rated Diameter	Flange					Neck		Raised face		Screws		Weight of a flange (7,85 Kg/dm <sup>3</sup> )	
	d1	Thread DIN 2999	D	b	k	h1	d3	d4	f	Number	Thread	d2	Kg
20	26,9	R 3/4	105,16	75	24	45	58	2	4	M 12	14	0,91	

TAG	TYPE
UC0-AC001019	53 UC
UC0-AC001041	53 UC SILENT

- (A) Chilled water outlet
- (B) Chilled water inlet
- (C) Drain
- (D) Conn. Box 100x100x50 IP56 + 2 Cable Gland M20 for field wiring
- (E) Grounding Screw M8
- (F) Plate 33x17x1mm(INOX)
- (G) Plate 40x35x1mm(GALV)

⊗ CENTER OF GRAVITY  
Weight: 85 Kg

Notes:

- 1.-
- 2.- Chilled water connections sizes: FLANGED DN20.
- 3.- The Chilled water connections, will be with threaded flange.
- 4.- Drain connections: 2 x Stainless steel pipe ØEXT 40mm, 1mm THICKNESS "C".
- 5.- Recommended inspection spaces. It is mandatory to reserve one full inspection space on one side.

G	UPDATED	11/09/19	A.T.R	A.M.F.	M.R.H
F	UPDATED	12/08/19	A.T.R	A.M.F.	M.R.H
E	UPDATED	07/08/19	A.T.R.	A.M.F.	M.R.H
D	UPDATED	28/03/19	F.S.G.	A.M.F.	M.R.H
C	UPDATED	25/10/18	F.S.G.	A.M.F.	M.R.H
B	UPDATED	24/08/18	F.S.G.	A.M.F.	M.R.H
A	FOR INFORMATION/APPROVAL AND COMMENTS	18/07/17	F.S.G.	A.M.F.	M.R.H
O	FOR INFORMATION/APPROVAL AND COMMENTS	03/03/17	F.S.G.	A.M.F.	M.R.H
REV.	DESCRIPTION	DATE	DRAWN	VERIFIED	APPROVED

PROJECT:	AVANTE 2200				
DESCRIPTION:	UNIT COOLERS				
DRAWING NUMBER:	P-M05462-002				
SCALE:	NTS	FORMAT:	A3	SHEET:	04/12

