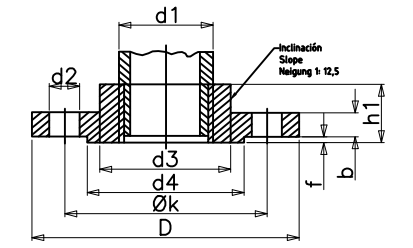
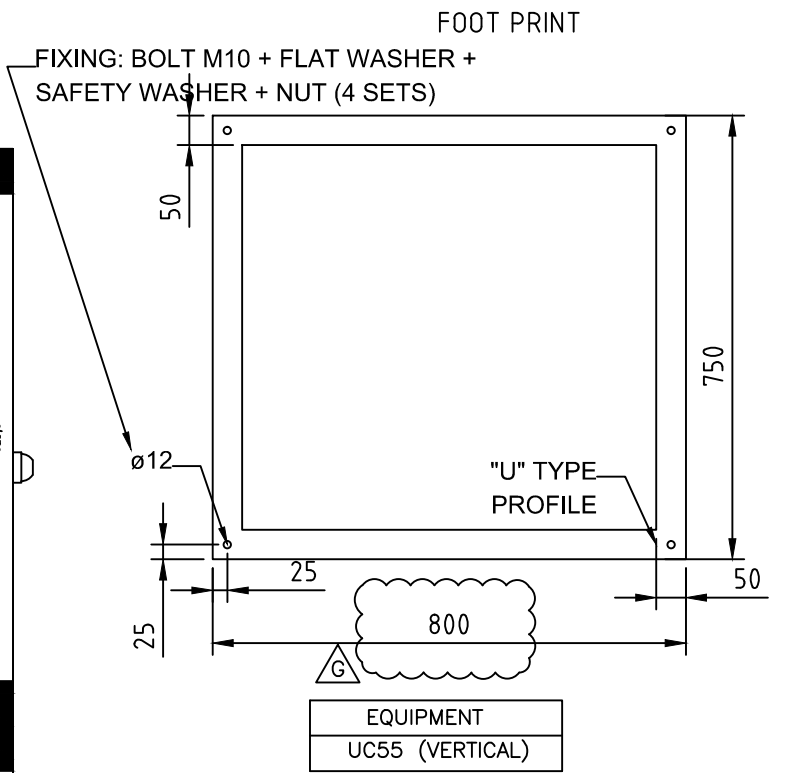
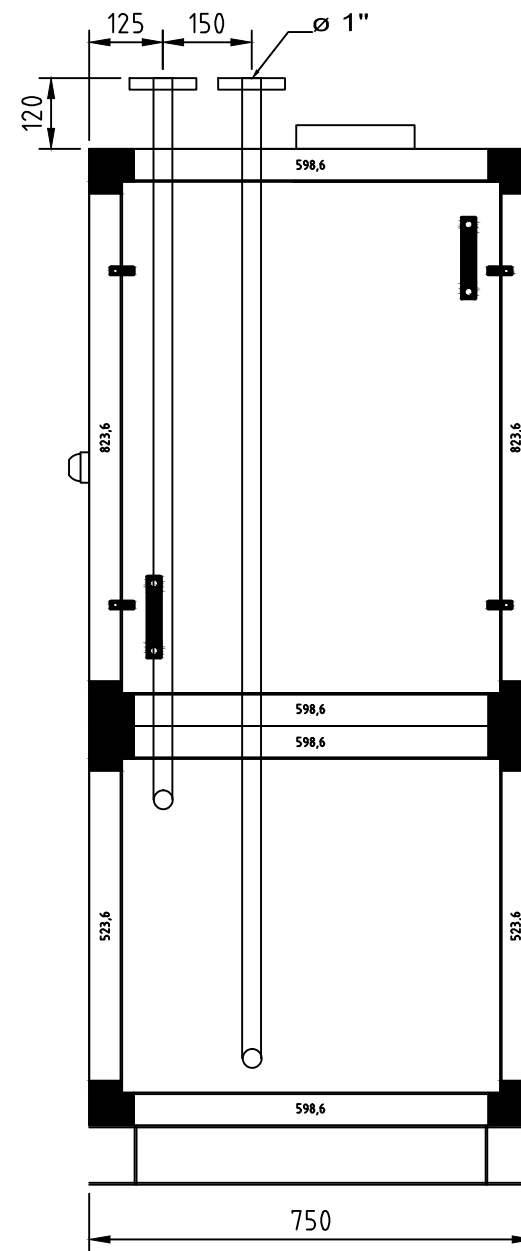
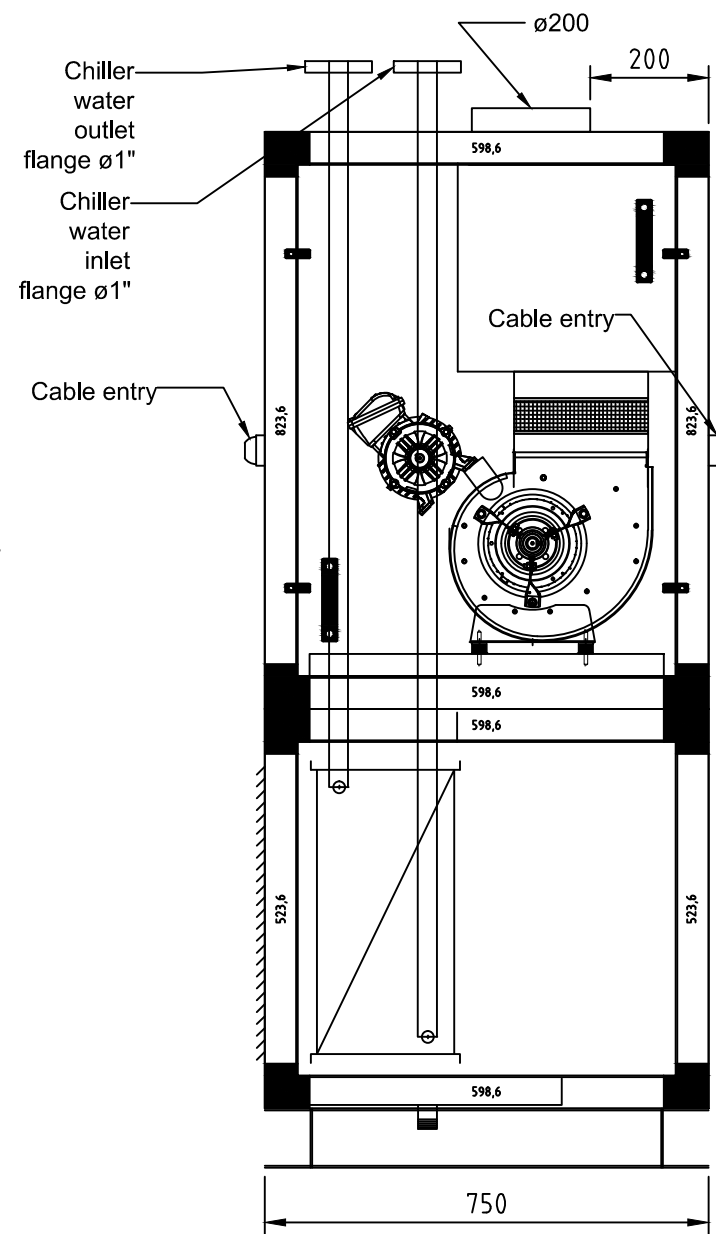
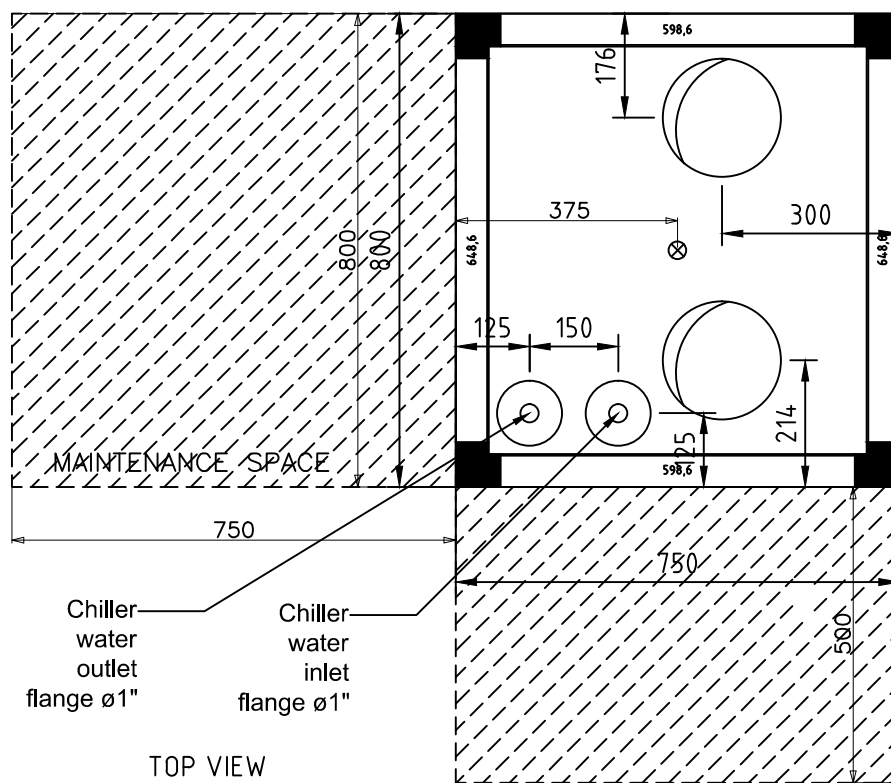
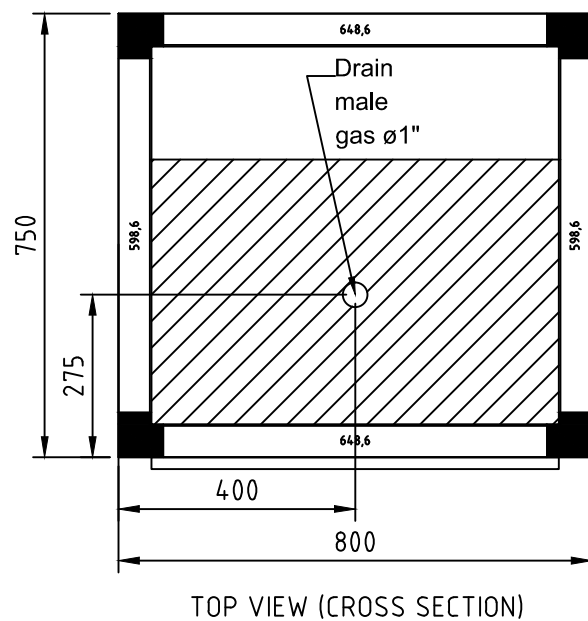


← A-A VIEW



Rated Diameter	Flange					Neck		Raised face		Screws		Weight of a flange (7,85 Kg/dm <sup>3</sup> )	
	d1	Thread DIN	D	b	k	h1	d3	d4	f	Number	Thread	d2	Kg
25	33,7	R 1	115	16	85	24	52	68	2	4	M 12	14	1,1

TAG: UCO-AC001040  
 TYPE: 55 (VERTICAL)  
 ⊗ CENTER OF GRAVITY  
 Weight: 195 Kg



G	UPDATED	11/09/19	A.T.R	A.M.F.	M.R.H
F	UPDATED	12/08/19	A.T.R	A.M.F.	M.R.H
E	UPDATED	07/08/19	A.T.R.	A.M.F.	M.R.H
D	UPDATED	28/03/19	F.S.G.	A.M.F.	M.R.H
C	UPDATED	25/10/18	F.S.G.	A.M.F.	M.R.H
B	UPDATED	24/08/18	F.S.G.	A.M.F.	M.R.H
A	FOR INFORMATION/APPROVAL AND COMMENTS	18/07/17	F.S.G.	A.M.F.	M.R.H
O	FOR INFORMATION/APPROVAL AND COMMENTS	03/03/17	F.S.G.	A.M.F.	M.R.H
REV.	DESCRIPTION	DATE	DRAWN	VERIFIED	APPROVED

PROJECT: AVANTE 2200

DESCRIPTION: UNIT COOLERS

DRAWING NUMBER: P-M05462-002

SCALE: NTS      FORMAT: A3      SHEET: 10/12