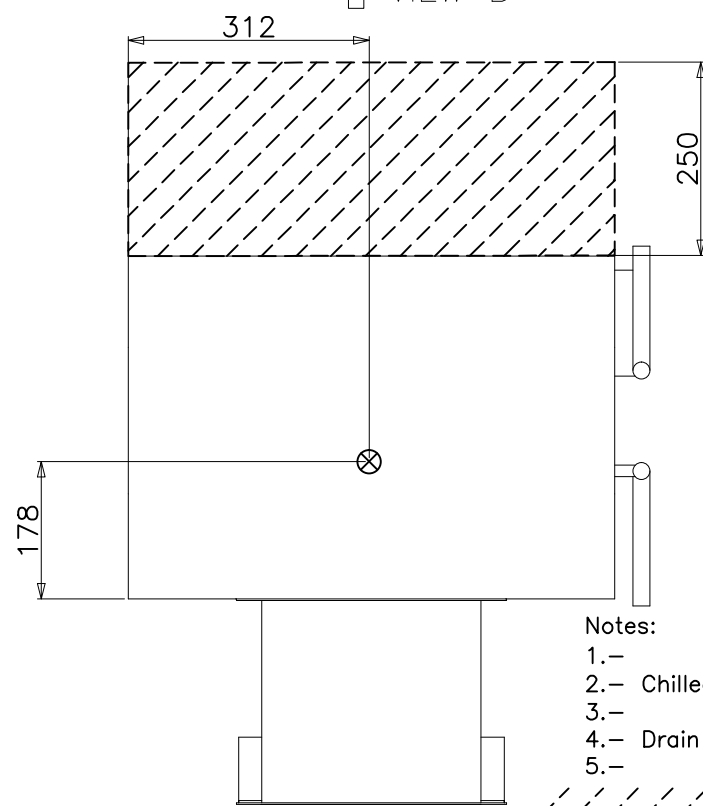


VIEW B

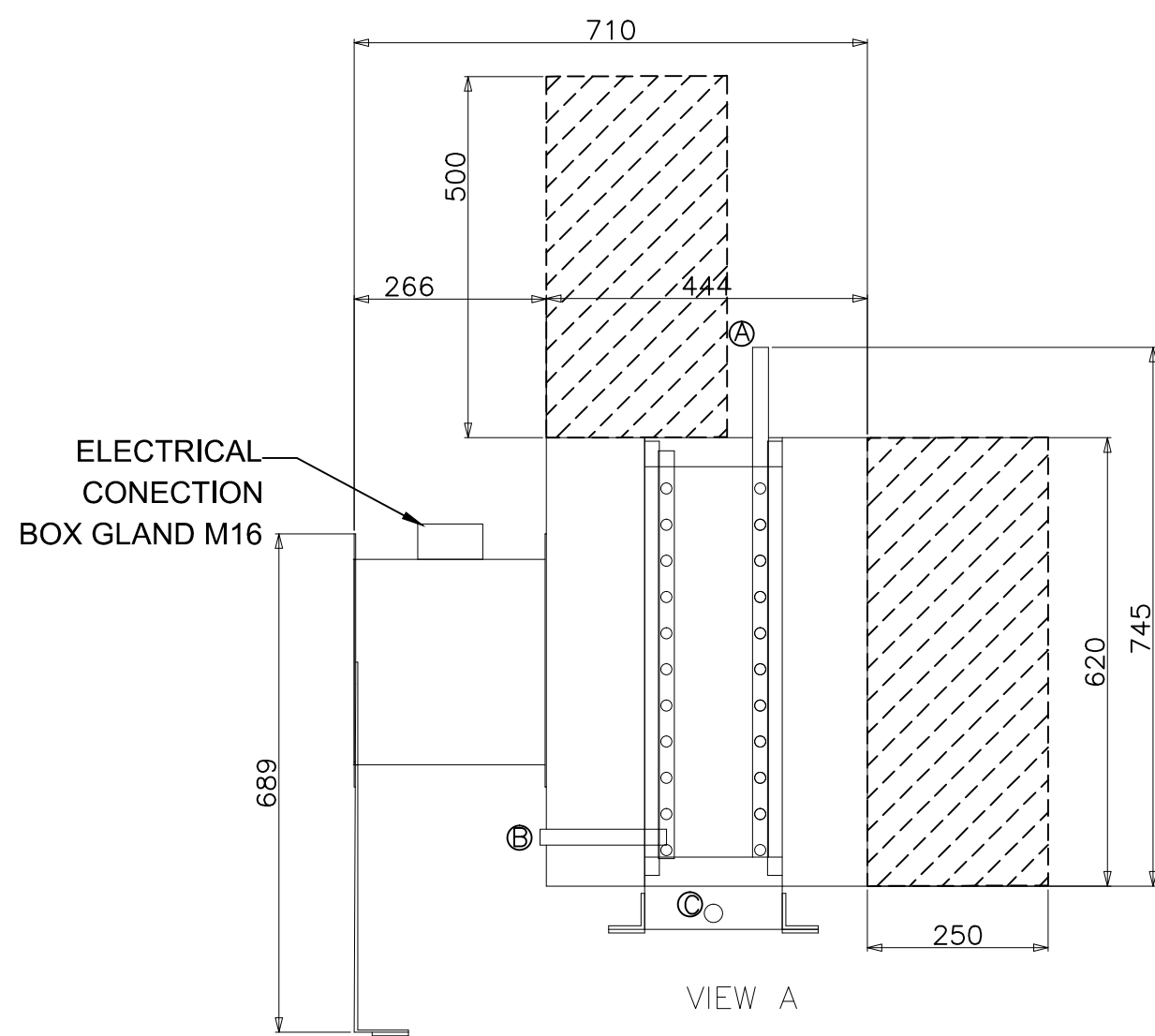
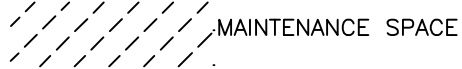


VIEW A

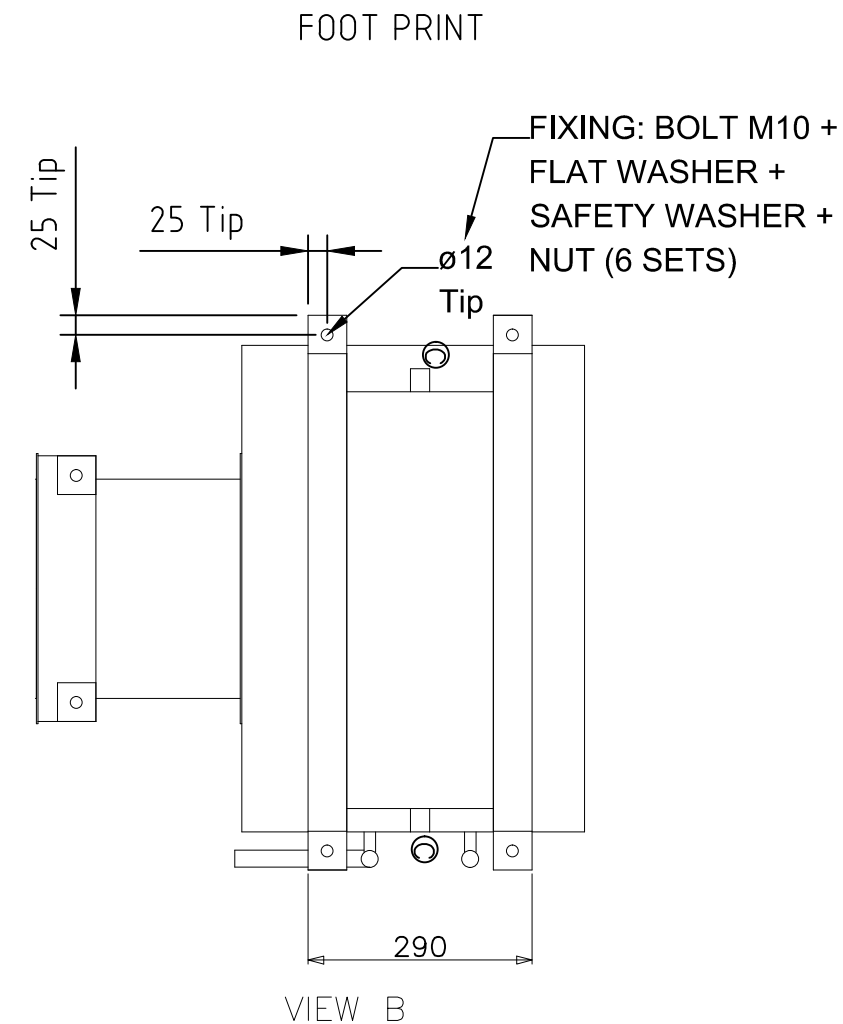
- Ⓐ Chilled water outlet
- Ⓑ Chilled water inlet
- Ⓒ Drain

WEIGHT= 105 Kg
⊗ CENTER OF GRAVITY

- Notes:
- 1.-
 - 2.- Chilled water connections sizes: THREADED DN20 MALE.
 - 3.-
 - 4.- Drain connections: DN 25, THREADED
 - 5.-



VIEW A



G	TAG	TYPE
	UCO-ACO01045	55 UC (WALL-1)

G	UPDATED	11/09/19	A.T.R	A.M.F.	M.R.H
F	UPDATED	12/08/19	A.T.R	A.M.F.	M.R.H
E	UPDATED	07/08/19	A.T.R.	A.M.F.	M.R.H
D	UPDATED	28/03/19	F.S.G.	A.M.F.	M.R.H
C	UPDATED	25/10/18	F.S.G.	A.M.F.	M.R.H
B	UPDATED	24/08/18	F.S.G.	A.M.F.	M.R.H
A	FOR INFORMATION/APPROVAL AND COMMENTS	18/07/17	F.S.G.	A.M.F.	M.R.H
O	FOR INFORMATION/APPROVAL AND COMMENTS	03/03/17	F.S.G.	A.M.F.	M.R.H

REV.	DESCRIPTION	DATE	DRAWN	VERIFIED	APPROVED
------	-------------	------	-------	----------	----------

PROJECT:

AVANTE 2200

DESCRIPTION:

UNIT COOLERS

DRAWING NUMBER:

P-M05462-002

SCALE:	FORMAT:	SHEET:
NTS	A3	11/12