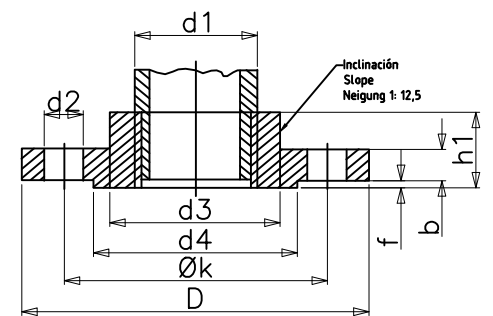


EQUIPMENT  
UC52



DETAILS FLANGES THREADED NECK

Rated Diameter	d1	Thread DIN 2999	Flange				Neck			Raised face		Screws		Weight of a flange (7,85 Kg/dm <sup>3</sup> )	
			D	b	k	h1	d3	d4	f	Number	Thread	d2	Kg		
20	26,9	R 3/4	105	16	75	24	45	58	2	4	M 12	14	0,91		

TAG	TYPE
UC0-AC001001	52 UC
UC0-AC002009	52 UC

- Ⓐ Chilled water outlet
- Ⓑ Chilled water inlet
- Ⓒ Drain
- Ⓓ Conn. Box 100x100x50 IP56 + 2 Cable Gland M20 for field wiring
- Ⓔ Grounding Screw M8
- Ⓕ Plate 33x17x1mm(INOX)
- Ⓖ Plate 40x35x1mm(GALV)
- ⓧ CENTER OF GRAVITY

- Notes:
- 1.-
  - 2.- Chilled water connections sizes: FLANGED DN20.
  - 3.- The Chilled water connections, will be with threaded flange.
  - 4.- Drain connections: 2 x Stainless steel pipe ØEXT 40mm, 1mm THICKNESS "C".
  - 5.- Recommended inspection spaces. It is mandatory to reserve one full inspection space on one side.

G	UPDATED	11/09/19	A.T.R	A.M.F.	M.R.H
F	UPDATED	12/08/19	A.T.R	A.M.F.	M.R.H
E	UPDATED	07/08/19	A.T.R	A.M.F.	M.R.H
D	UPDATED	28/03/19	F.S.G.	A.M.F.	M.R.H
C	UPDATED	25/10/18	F.S.G.	A.M.F.	M.R.H
B	UPDATED	24/08/18	F.S.G.	A.M.F.	M.R.H
A	FOR INFORMATION/APPROVAL AND COMMENTS	18/07/17	F.S.G.	A.M.F.	M.R.H
O	FOR INFORMATION/APPROVAL AND COMMENTS	03/03/17	F.S.G.	A.M.F.	M.R.H
REV.	DESCRIPTION	DATE	DRAWN	VERIFIED	APPROVED

PROJECT: AVANTE 2200

DESCRIPTION: UNIT COOLERS

DRAWING NUMBER: P-M05462-002

SCALE: NTS      FORMAT: A3      SHEET: 02/12