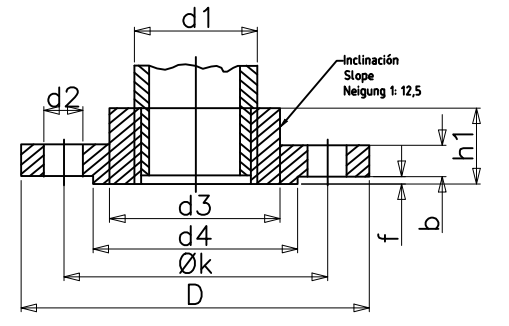


EQUIPMENT
UC53 LEFT CONECTION



DETAILS FLANGES THREADED NECK

Rated Diameter	Flange				Neck			Raised face		Screws		Weight of a flange (7,85 Kg/dm ³)	
	d1	Thread DIN 2999	D	b	k	h1	d3	d4	f	Number	Thread	d2	Kg
20	26,9	R 3/4	105	16	75	24	45	58	2	4	M 12	14	0,91

TAG	TYPE
UCO-ACO01007	53 UC SILENT
UCO-ACO02013	53 UC
UCO-ACO02020	53 UC
UCO-ACO02026	53 UC SILENT
UCO-ACO02028	53 UC
UCO-ACO02029	53 UC
UCO-ACO01036	53 UC SILENT
UCO-ACO01038	53 UC
UCO-ACO01039	53 UC

- Ⓐ Chilled water outlet
- Ⓑ Chilled water inlet
- Ⓒ Drain
- Ⓓ Conn. Box 100x100x50 IP56 + 2 Cable Gland M20 for field wiring
- Ⓔ Grounding Screw M8
- Ⓕ Plate 33x17x1mm(INOX)
- Ⓖ Plate 40x35x1mm(GALV)
- ⊗ CENTER OF GRAVITY

- Notes:
- 1.-
 - 2.- Chilled water connections sizes: FLANGED DN20.
 - 3.- The Chilled water connections, will be with threaded flange.
 - 4.- Drain connections: 2 x Stainless steel pipe ØEXT 40mm, 1mm THICKNESS "C".
 - 5.- Recommended inspection spaces. It is mandatory to reserve one full inspection space on one side.

G	UPDATED	11/09/19	A.T.R	A.M.F.	M.R.H
F	UPDATED	12/08/19	A.T.R	A.M.F.	M.R.H
E	UPDATED	07/08/19	A.T.R	A.M.F.	M.R.H
D	UPDATED	28/03/19	F.S.G.	A.M.F.	M.R.H
C	UPDATED	25/10/18	F.S.G.	A.M.F.	M.R.H
B	UPDATED	24/08/18	F.S.G.	A.M.F.	M.R.H
A	FOR INFORMATION/APPROVAL AND COMMENTS	18/07/17	F.S.G.	A.M.F.	M.R.H
O	FOR INFORMATION/APPROVAL AND COMMENTS	03/03/17	F.S.G.	A.M.F.	M.R.H
REV.	DESCRIPTION	DATE	DRAWN	VERIFIED	APPROVED

PROJECT:
AVANTE 2200



DESCRIPTION:
UNIT COOLERS

DRAWING NUMBER:
P-M05462-002

SCALE: NTS FORMAT: A3 SHEET: 03/12