



· SYSTEM: HVAC



SYSTEM: HVAC

MOTORIZED WATERTIGHT VALVES

REF.: D-MO5462-006



· SYSTEM: HVAC



TABLE OF CONTENTS

1. TECHNICAL AND FUNCTIONAL DESCRIPTION..... 3

ANNEX A DATA SHEET OF VALVES AND ACTUATORS



· SYSTEM: HVAC



1. TECHNICAL AND FUNCTIONAL DESCRIPTION

These valves have been designed for use in heating, ventilation and air conditioning systems. These valves are opened or closed completely by an open-close rotary actuator. Continuous rotary actuators are connected to the body valve and move it to any position desired.

Ventilation System

Each motorized control valve with the same classification of their associated fan will be operated by means of the system control cabinets, in such way they will be opened when their associated fan receives the start command, and they will be closed when their associated fan receives the stop command.

Notes:

-Motorized valves with a different classification of their associated fans and do not have a local operated panel (LOP) associated:

They will be opened when their associated fan receives the start command, and they will not be closed when their associated fan receives the stop command to avoid excessive overpressure in headquarters condition (but still not NBC, close down condition). “Open / Close” push buttons and “Local / Remote” switch are available in the local control panel (CTP).

-Motorized valves with a different classification of their associated fans and have a local operated panel (LOP) associated:

They will be opened when their associated fan receives the start command, and they will not be closed when their associated fan receives the stop command to avoid excessive overpressure in headquarters condition (but still not NBC, close down condition). In the local operated panel (LOP) “open” and “close” push buttons, and a “Local / Remote” switch are available (these operations are not available in the local control panel, CTP, associated).

- Motorized valves that are not associated to any fan. They have a local operated panel (LOP) associated:

These valves are not directly associated to any fan and a local operation panel (LOP) will be provided. In this panel “open” and “close” push buttons, and a “Local / Remote” switch are available (these operations are not available in the local control panel, CTP, associated).

Air Conditioning System

Each motorized valve will be locally controlled by means of the system control cabinets, in such way they will be opened when their associated fan coil/unit cooler receives the start command, and they will be closed when their associated fan coil/unit cooler receives the stop command.

Furthermore, they will be interlocked with their associated fan coils/unit coolers, so if a motorized valve is locally closed its associated fan coil/unit cooler will be stopped, and any other associated valve will be closed too.



· SYSTEM: HVAC



ANNEX A. DATA SHEET OF VALVES AND ACTUATORS

Butterfly valve with Wafer types

- For open and closed cold and warm water systems
- For switching heat generators or cooling machines on and off


Type overview

Type	DN []	kvmax [m ³ /h]	kvs [m ³ /h]	PN []
D6200W	200	2200	820	6 / 10 / 16
D6250W	250	4200	1300	6 / 10 / 16
D6300W	300	5700	1740	6 / 10 / 16

Technical data

Functional data	Media	Cold and warm water, water with glycol up to max. 50% vol.
	Medium temperature	-20...120°C
	Permissible pressure ps	1600 kPa
	Leakage rate	Leakage rate A, tight (EN 12266-1)
	Angle of rotation	90°
	Installation position	Upright to horizontal (in relation to the stem)
	Suitable connection flange	In accordance with ISO 7005-1 and EN 1092-1 In accordance with ISO 7005-2 and EN 1092-2 In accordance with DIN 2641 and DIN 2642
Maintenance	Maintenance-free	
Materials	Body	EN-GJS400-15 (GGG 40), polyester-powder coating
	Closing element	1.4308 (stainless steel)
	Stem	1.4021 (stainless steel)
	Stem seal	O-ring EPDM
	Stem bearing	Bronze, steel, PTFE
	Seat	EPDM

Safety notes


- The valve has been designed for use in stationary heating, ventilation and air-conditioning systems and must not be used outside the specified field of application, especially in aircraft or in any other airborne means of transport.
- Only authorised specialists may carry out installation. All applicable legal or institutional installation regulations must be complied during installation.
- The valve does not contain any parts that can be replaced or repaired by the user.
- The valve may not be disposed of as household refuse. All locally valid regulations and requirements must be observed.
- When determining the flow rate characteristic of controlled devices, the recognised directives must be observed.
- The damper must be opened and closed slowly in order to avoid hydraulic shocks in the pipe system.
- The valve is not allowed to be operated without actuator or worm gear while flow is in the pipe. Without actuator or worm gear, the valve could close and cause damage (water hammer).

Product features

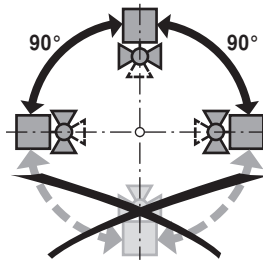
- Mode of operation** The butterfly valve is opened or closed completely by an open-close rotary actuator. Continuous rotary actuators are connected by a commercially available controller and move the valve to any position desired. The valve disk made of stainless steel is pressed into the soft-sealing EPDM seat by a rotary movement and ensures leakage rate A (tight). The pressure losses are slight in the open position and the kv value is at a maximum.
- Manual override** Manual throttling or shut-off can be carried out with a worm gear (see «Accessories»). The worm gear with position indication is steplessly adjustable (self-locking).

Accessories

	Description	Type
Mechanical accessories	Worm gear for butterfly valves DN125...300	ZD6N-S150

Installation notes

- Recommended installation positions** The butterfly valves may be mounted upright to horizontal. The butterfly valves may not be installed in a hanging position i.e. with the spindle pointing downwards.



- Water quality requirements** The water quality requirements specified in VDI 2035 must be adhered to.

- Maintenance** Butterfly valves and rotary actuators are maintenance-free. Before any service work on the final controlling device is carried out, it is essential to isolate the rotary actuator from the power supply (by unplugging the electrical cable if necessary). Any pumps in the part of the piping system concerned must also be switched off and the appropriate slide valves closed (allow all components to cool down first if necessary and always reduce the system pressure to ambient pressure level). The system must not be returned to service until the butterfly valve and the rotary actuator have been reassembled correctly in accordance with the instructions and the pipeline has been refilled by professionally trained personnel. To avoid a torque increase during off season shut down, exercise the butterfly valve (full open and close) at least once a month.

- Flow setting** The Belimo butterfly valves have an approximate equal percentage characteristic curve between 0 and 60 percent opening angle.

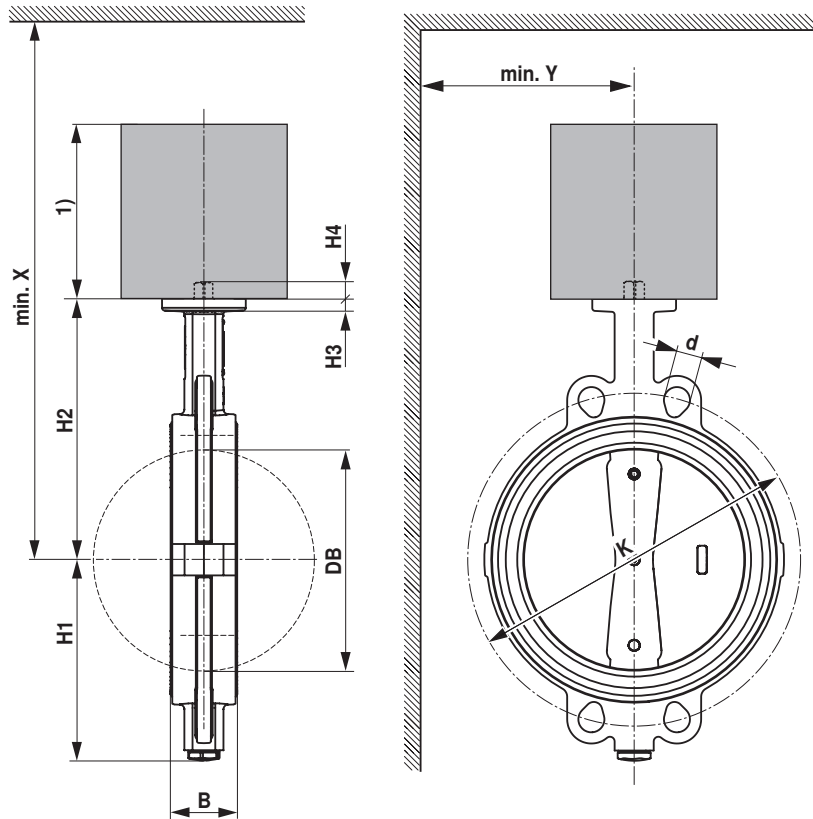
		10%	20%	30%	40%	50%	60%	70%	80%	90%	100%
DN 200	kv (m ³ /h)	10	60	170	330	540	820	1200	1640	2000	2200
DN 250	kv (m ³ /h)	10	100	280	530	850	1300	1920	2710	3580	4200
DN 300	kv (m ³ /h)	30	160	400	710	1130	1740	2560	3610	4790	5700



Table: Valve opening / flow

Dimensions / Weight

Dimensional drawings



The actuator dimensions can be found on the respective actuator data sheet.

Type	DN []	B [mm]	DB [mm]	H1 [mm]	H2 [mm]	H3 [mm]	H4 [mm]	d (PN6) [mm]	K (PN6) [mm]
D6200W	200	60	202	172	240	15	19	8 x M16	280
D6250W	250	68	250	206	268	15	24	12 x M16	335
D6300W	300	78	301	244	316	15	24	12 x M20	395

Type	d (PN10) [mm]	K (PN10) [mm]	d (PN16) [mm]	K (PN16) [mm]	X [mm]	Y [mm]	Weight [kg]
D6200W	8 x M20	295	12 x M20	295	500	300	13
D6250W	12 x M20	350	12 x M24	355	530	300	21
D6300W	12 x M20	400	12 x M24	410	580	300	32

Further documentation

- Overview Valve-actuator combinations
- Data sheets for actuators
- Installation instructions for actuators and/or butterfly valves
- General notes for project planning

EU DECLARATION OF CONFORMITY



Document ID

1. Type D6250W D6250WL
D6300W D6300WL

2. Manufacturer **BELIMO Automation Ltd**
Brunnenbachstrasse 1
8340 Hinwil
Switzerland

3. Responsibility declare under the sole responsibility that the product

4. Product Butterfly Valve

to which this declaration relates is in conformity with the following directives

5. Directives 2014/68/EU PED 2011/65/EU RoHS

Harmonised standard(s)
EN 593:2009 + A1:2011
EN 19:2016
EN 1092-1:2007+A1:2013
EN 12266-1:2012
EN 12516-1:2014
EN 12516-2:2014
EN 12516-4:2014

6. Standards Non-Harmonized standard(s)
Not applicable

7.1 EU-type examination
7.2 Certified module Notifying body which carried out the inspection
CSI S.p.A. (Notified Body Number 0497)
Cascina Traversagna, 21
20030 Senago (Mi)
Module A2

8. Necessary accessories and components Not applicable

9. Additional information CE mark and notified body numbers are on valve because it is covered by PED Table 7, Category II

Signed for and on behalf of **BELIMO Automation Ltd**

Curdin Stäheli
Head of Division Development

Place and date of issue Hinwil, 14th July 2017

Colors and details may differ from sample.

Rotary actuator for butterfly valves

- Nominal torque 160 Nm
- Nominal voltage AC 24...240 V / DC 24...125 V
- Control modulating, communicative
- with 2 integrated auxiliary switches
- Conversion of sensor signals
- Communication via BACnet MS/TP, Belimo MP-Bus or conventional control
- Design life SuperCaps: 15 years


Technical data

Electrical data	Nominal voltage	AC 24...240 V / DC 24...125 V
	Nominal voltage frequency	50/60 Hz
	Nominal voltage range	AC 19.2...264 V / DC 19.2...137.5 V
	Power consumption in operation	52 W
	Power consumption in rest position	7 W
	Power consumption for wire sizing	with 24 V 54 VA / with 230 V 68 VA
	Power consumption for wire sizing note	I _{max} 20 A @ 5 ms
	Auxiliary switch	2 x SPDT, 1 x 10° / 1 x 0...90° (ex works 85°)
	Switching capacity auxiliary switch	1 mA...3 (0.5 inductive) A, AC 250 V
	Connection supply	Terminals 2.5 mm ²
	Connection control	Terminals 1.5 mm ²
	Connection auxiliary switch	Terminals 2.5 mm ²
	Parallel operation	Yes (note the performance data)
Functional data	Torque motor	160 Nm (parameterized for D6250W/WL)
	Communicative control	MP-Bus BACnet MS/TP (Details see separate document "PICS")
	Positioning signal Y	DC 0...10 V
	Positioning signal Y note	Input impedance 100 kΩ
	Operating range Y	DC 2...10 V
	Operating range Y variable	DC 0.5...10 V 4...20 mA
	Position feedback U	DC 2...10 V
	Position feedback U note	Max. 0.5 mA
	Position feedback U variable	DC 0.5...10 V
	Setting emergency setting position (POP)	0...100%, adjustable (ex works 0%)
	Bridging time (PF) variable	0...10 s (ex works 2s)
	Position accuracy	±5%
	Manual override	with hand crank, can be fixed in any position
	Running time motor	35 s / 90°
	Motor running time variable	30...120 s
	Running time emergency control position	30 s / 90°
	Sound power level motor	68 dB(A)
Sound power level emergency control position	61 dB(A)	
Position indication	Mechanically (integrated)	
Safety	Protection class IEC/EN	II reinforced insulation
	Protection class UL	II reinforced insulation
	Protection class auxiliary switch IEC/EN	II reinforced insulation
	Degree of protection IEC/EN	IP66 + IP67
	Degree of protection NEMA/UL	NEMA 4X, UL Enclosure Type 4X
	EMC	CE according to 2014/30/EU
	Low voltage directive	CE according to 2014/35/EU
	Certification IEC/EN	IEC/EN 60730-1 and IEC/EN 60730-2-14
	Certification UL	cULus according to UL 60730-1A, UL 60730-2-14 and CAN/CSA E60730-1:02
	Mode of operation	Type 1.AA
	Rated impulse voltage supply	4 kV
Rated impulse voltage control	0.8 kV	

Technical data

Safety	Rated impulse voltage auxiliary switch	2.5 kV
	Control pollution degree	3
	Ambient temperature	-30...50 °C
	Non-operating temperature	-40...80 °C
	Ambient humidity	95% r.h., non-condensing
	Maintenance	Maintenance-free
Mechanical data	Connection flange	F07 (F05 only with accessory)
Weight	Weight	8.5 kg
Terms	Abbreviations	POP = Power off position / emergency setting position CPO = Controlled power off / controlled emergency control function PF = Power fail delay time / bridging time

Safety notes



- This device has been designed for use in stationary heating, ventilation and air conditioning systems and must not be used outside the specified field of application, especially in aircraft or in any other airborne means of transport.
- Caution: Power supply voltage!
- Only authorised specialists may carry out installation. All applicable legal or institutional installation regulations must be complied during installation.
- Apart from the connection box, the device may only be opened at the manufacturer's site. It does not contain any parts that can be replaced or repaired by the user.
- The device contains electrical and electronic components and must not be disposed of as household refuse. All locally valid regulations and requirements must be observed.

Product features

- Fields of application** The actuator is particularly suitable for utilisation in outdoor applications and is protected against the following weather conditions:
- UV radiation
 - dirt / dust
 - rain / snow
 - Humidity

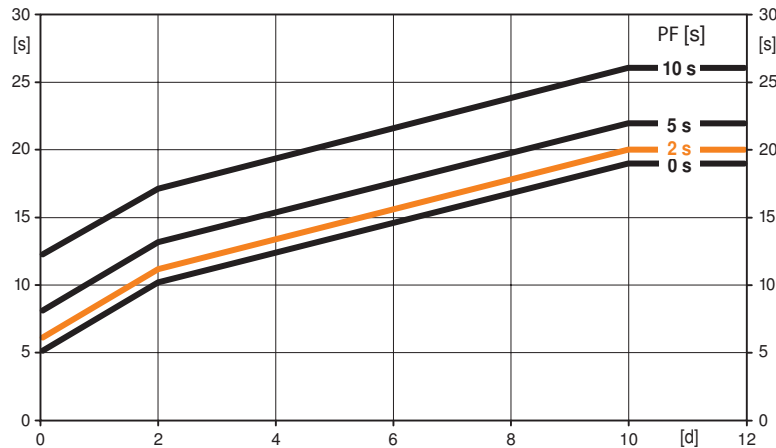
Product features

Pre-charging time (start up) The capacitor actuators require a pre-charging time. This time is used for charging the capacitors up to a usable voltage level. This ensures that, in the event of an electricity interruption, the actuator can move at any time from its current position into the preset emergency setting position (POP).

The duration of the pre-charging time depends mainly on following factors:

- Duration of the electricity interruption
- PF delay time (bridging time)

Typical pre-charging time



PF [s]	[d]				
	0	1	2	7	≥10
0	5	8	10	15	19
2	6	9	11	16	20
5	8	11	13	18	22
10	12	15	17	22	26

[d] = Electricity interruption in days
[s] = Pre-charging time in seconds
PF[s] = Bridging time

Calculation example: Given an electricity interruption of 3 days and a bridging time (PF) set at 5 s, the actuator requires a pre-charging time of 14 s after the electricity has been reconnected (see graphic).

Delivery condition (capacitors) The actuator is completely discharged after delivery from the factory, which is why the actuator requires approximately 20 s pre-charging time before initial commissioning in order to bring the capacitors up to the required voltage level.

Converter for sensors Connection option for two passive sensors. This means the analogue sensor signal can be easily digitised and transferred via field bus to the higher level system.

Parameterisable actuators The factory settings cover the most common applications. The Belimo Assistant App is required for parameterisation via Near Field Communication (NFC) and simplifies commissioning. Moreover, it provides a variety of diagnostic options. The ZTH EU service tool provides a selection of both diagnostic and setting options.

Simple direct mounting Simple direct mounting on the butterfly valve. The mounting orientation in relation to the butterfly valve can be selected in 90° (angle) increments.

Manual override The valve can be manually operated using a hand crank. Unlocking is carried out manually by removing the hand crank.

Internal heating An internal heater prevents condensation buildup. Thanks to the integrated temperature and humidity sensor the built-in heater automatically switches on and off.

High functional reliability The actuator is overload protected, requires no limit switches and automatically stops when the end stop is reached.

Setting emergency setting position (POP) The desired emergency setting position (POP) can be set between 0 and 100% with the "Belimo Assistant App" or ZTH EU. The setting always refers to the adapted angle of rotation range. In the event of an electricity interruption, the actuator will move into the selected emergency setting position (POP).

Product features

Bridging time	Electricity interruptions can be bridged up to a maximum of 10 s. In the event of an electricity interruption, the actuator will remain stationary in accordance with the set bridging time. If the electricity interruption is greater than the set bridging time, then the actuator will move into the selected emergency setting position (POP). The pre-programmed bridging time is set to 2 s. This can be modified on site in operation with the use of the "Belimo Assistant App".
Flexible signalization	The actuator has one auxiliary switch with a fixed setting (10°) and one adjustable auxiliary switch (0...90°).

Accessories

	Description	Type
Gateways	Gateway MP for BACnet MS/TP, AC/DC 24 V	UK24BAC
	Gateway MP to Modbus RTU, AC/DC 24 V	UK24MOD
	Gateway MP to LonWorks, AC/DC 24 V, LonMark certified	UK24LON
	Gateway MP to KNX, AC/DC 24 V, EIBA certified	UK24EIB
Electrical accessories	Description	Type
	Connection cable 5 m, A+B: RJ12 6/6, To ZTH/ZIP-USB-MP	ZK1-GEN
Mechanical accessories	Description	Type
	Position indicator and tappet shaft, F07, square, SW 17	ZPR01
	Tappet shaft, F07, square, SW 17	ZPR02
	Position indicator and tappet shaft, F05, square, SW 14	ZPR03
	Retrofit adapter kit, F05/F07, flat head/ square, SW 17	ZPR05
	Retrofit adapter kit, F05/F07, square 45° turned, SW 14	ZPR06
	Retrofit adapter kit with ring, F07, square 45° turned, SW 17	ZPR08
	Retrofit adapter kit with ring, F07, flat head/ square, SW 14	ZPR09
	Retrofit adapter kit, F05/F07, flat head/ square, SW 14	ZPR10
	Retrofit adapter kit, F05/F07, square 45° turned, SW 18	ZPR11
	Retrofit adapter kit, F05/F07, flat head/ square, SW 16	ZPR12
Hand crank for PR-actuator	ZPR20	
Service Tools	Description	Type
	Smartphone app for easy commissioning, parameterising and maintenance	Belimo Assistant App
	Service tool for parametrisable and communicative Belimo actuators / VAV controller and HVAC performance devices	ZTH EU
Sensors	Description	Type
	Duct/Immersion Temperature Sensor 50 mm x 6 mm PT1000	01DT-1BH
	Duct/Immersion Temperature Sensor 100 mm x 6 mm PT1000	01DT-1BL
	Duct/Immersion Temperature Sensor 150 mm x 6 mm PT1000	01DT-1BN
	Duct/Immersion Temperature Sensor 200 mm x 6 mm PT1000	01DT-1BP
	Duct/Immersion Temperature Sensor 300 mm x 6 mm PT1000	01DT-1BR
	Duct/Immersion Temperature Sensor 450 mm x 6 mm PT1000	01DT-1BT
	Duct/Immersion Temperature Sensor 50 mm x 6 mm Ni1000	01DT-1CH
	Duct/Immersion Temperature Sensor 100 mm x 6 mm Ni1000	01DT-1CL
	Duct/Immersion Temperature Sensor 150 mm x 6 mm Ni1000	01DT-1CN
	Duct/Immersion Temperature Sensor 200 mm x 6 mm Ni1000	01DT-1CP
	Duct/Immersion Temperature Sensor 300 mm x 6 mm Ni1000	01DT-1CR
Duct/Immersion Temperature Sensor 450 mm x 6 mm Ni1000	01DT-1CT	

Electrical installation

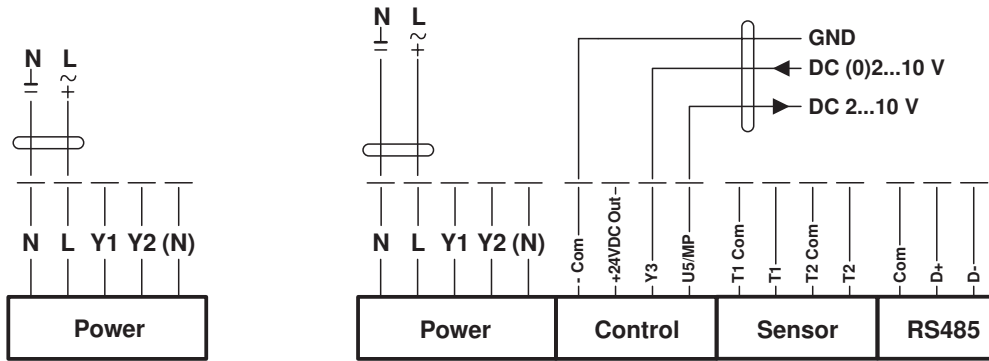
Wiring diagrams



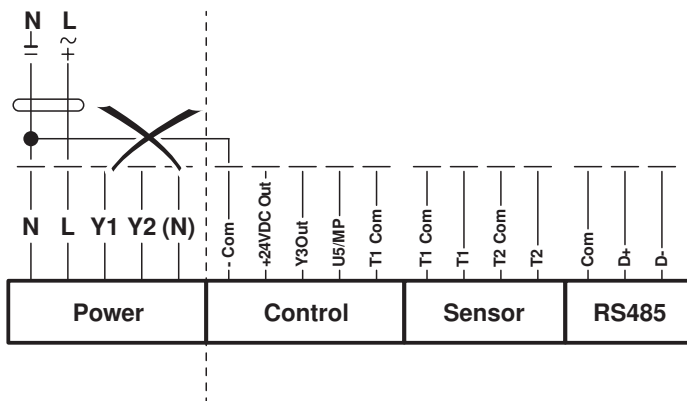
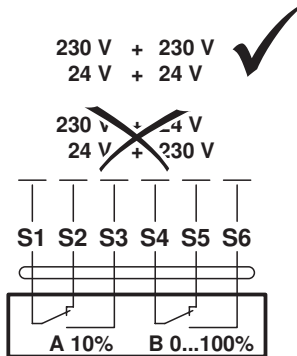
Notes

- Caution: Power supply voltage!
- Parallel connection of other actuators possible. Observe the performance data.
- The main power supply for the actuator and for the auxiliary switches shall be from the same phase.
- The wiring of the line for BACnet (MS/TP) has to be carried out in accordance with applicable RS485 regulations.

AC 24...240 V / DC 24...125 V Modulating control



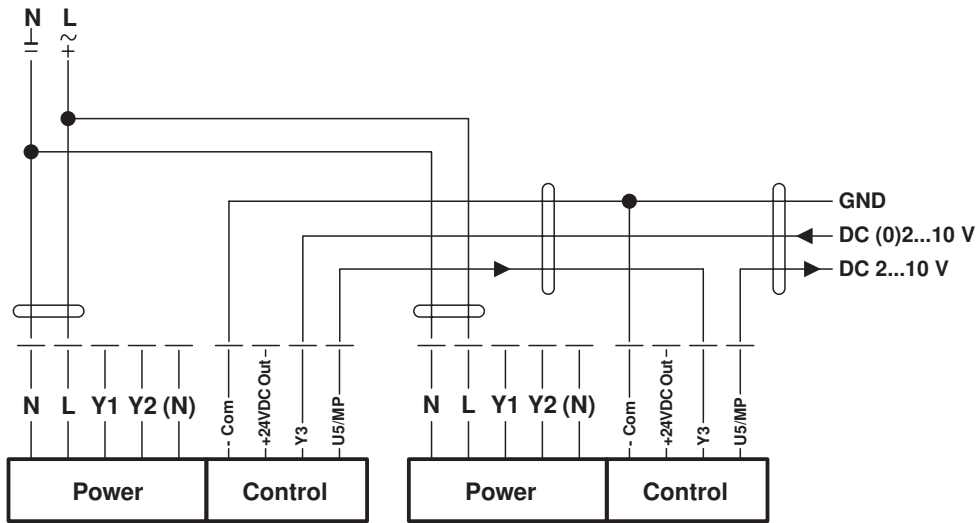
Connection auxiliary switch



Power supply must not be connected to the signal terminals!

Electrical installation

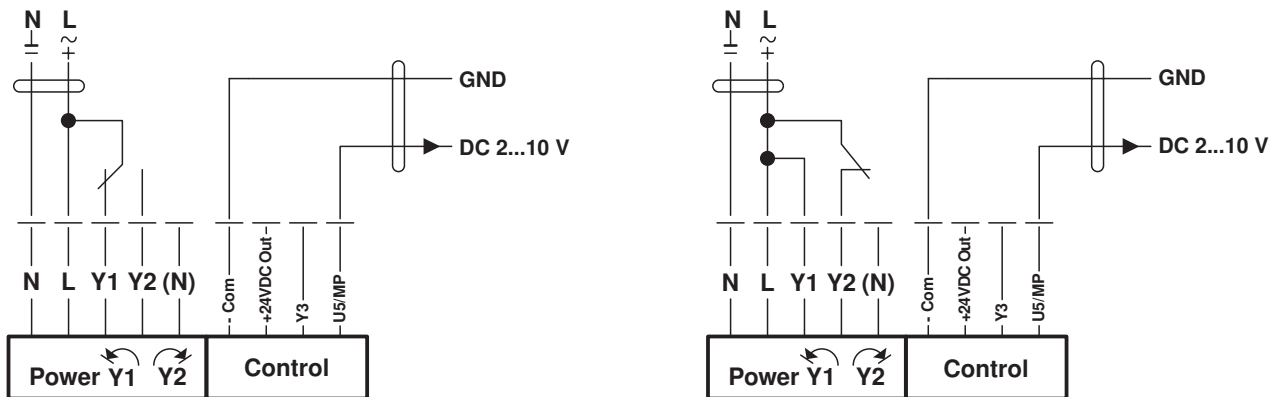
Follow-up control (position-dependent)



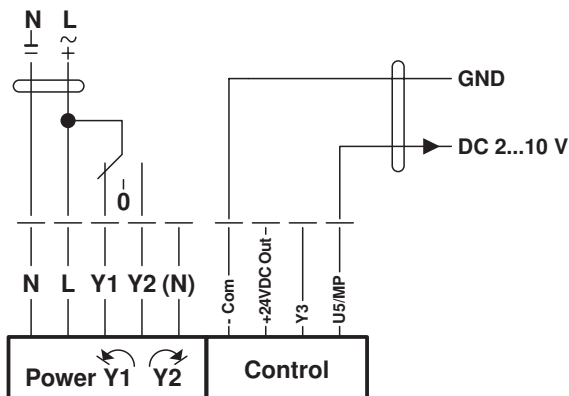
Functions

Functions for actuators with specific parameters (Parametrisation with Belimo Assistant App necessary)

Open-close control

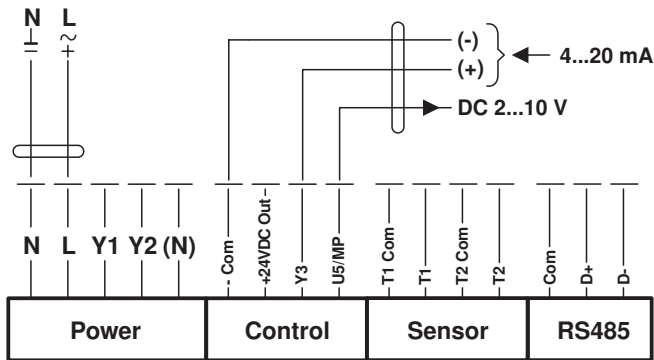


3-point control

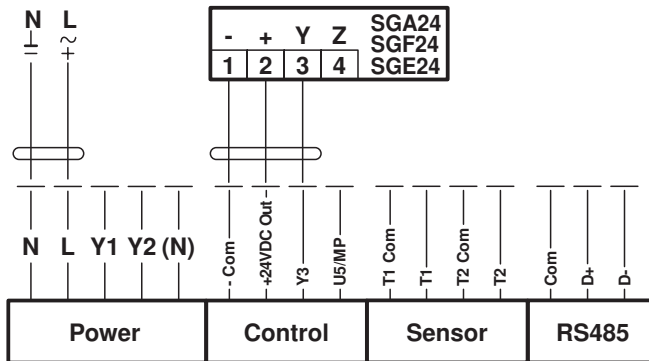


Functions

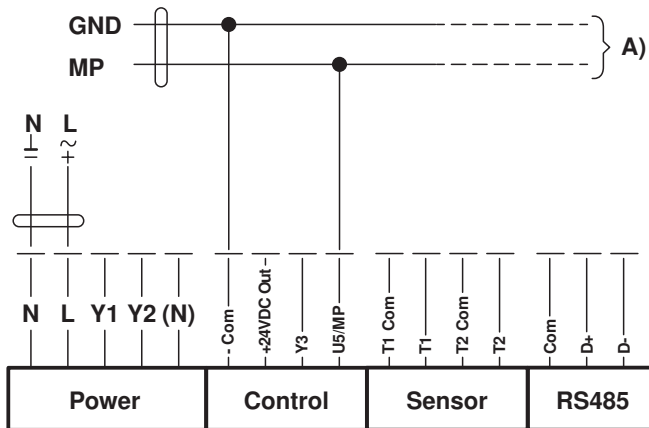
Control 4...20 mA



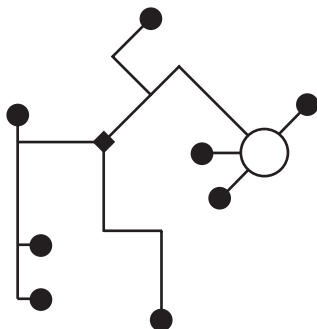
Positioner SG..



Connection on the MP-Bus



Network topology



There are no restrictions for the network topology (star, ring, tree or mixed forms are permitted).
Supply and communication in one and the same 3-wire cable

- no shielding or twisting necessary
- no terminating resistors required

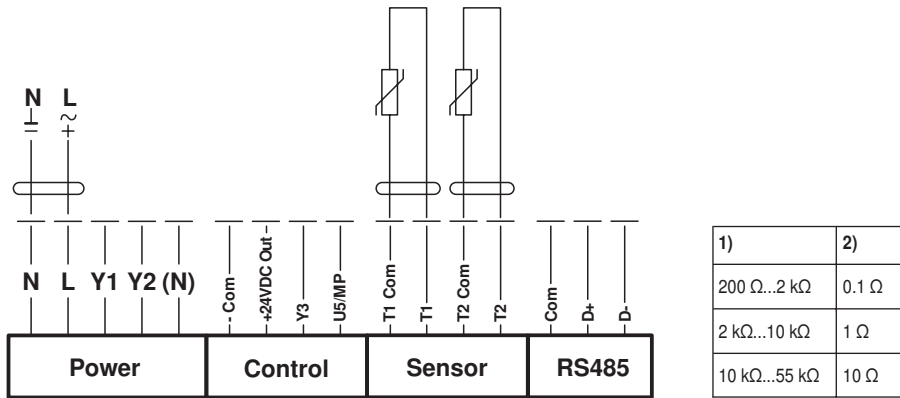
Note

Maximum output power «+ 24VDC out» 1.2 W @ 50 mA!
A separate safety transformer must be used for higher performance!

A) Additional actuators (max. 8)

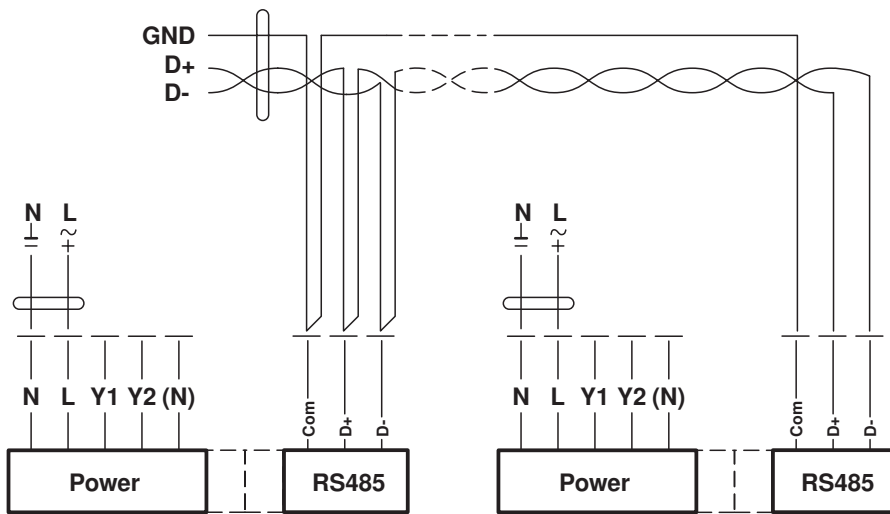
Functions

Connection of passive sensors (BACnet only)

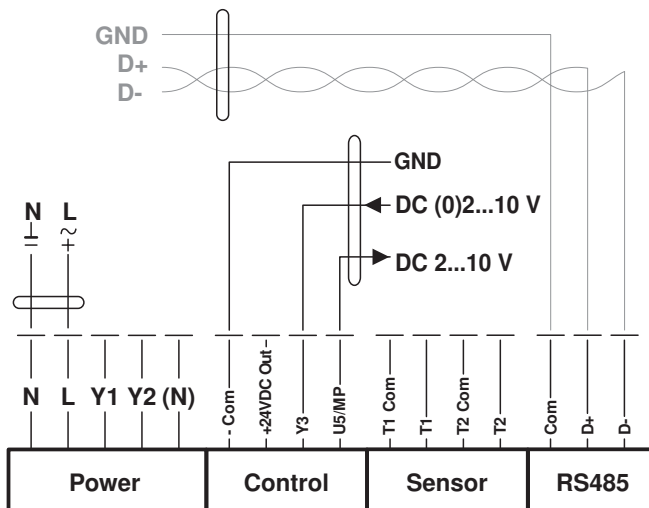


- 1) Resistance range
- 2) Resolution
- Suitable for Ni1000 and PT1000
- Suitable Belimo types 01DT-...

Connection BACnet MS/TP

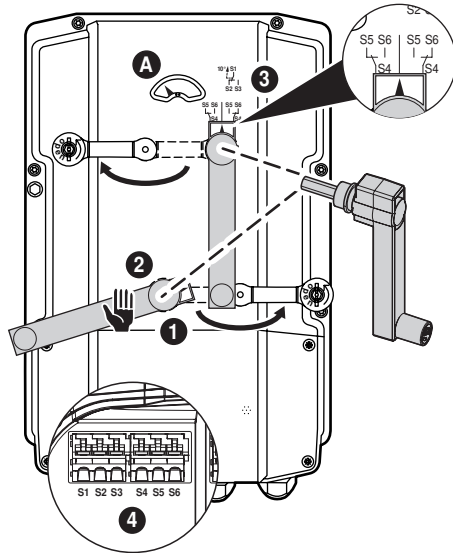


Connection BACnet MS/TP with analog setpoint (hybrid mode)



Operating controls and indicators

Auxiliary switch settings



Note Perform settings on the actuator only in deenergised state.

1 Gear disengagement

Opening the manual override cover and adjusting the hand crank. Manual override is possible.

2 Manual override control

Turn the hand crank until the desired switching position **A** is indicated and then remove the crank.

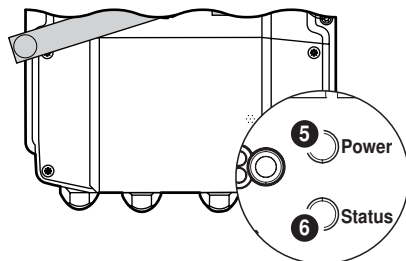
3 Auxiliary Switch

Opening the auxiliary switch adjustment cover and adjusting the hand crank. Turn the crank until the arrow points to the vertical line

4 Terminals

Connect continuity tester to S4 + S5 or to S4 + S6.
If the auxiliary switch should switch in the opposite direction, rotate the hand crank by 180°.

Push-buttons and display



5 Push-button and LED display green

Off: No power supply or malfunction
On: In operation
Press button: Triggers test run, followed by standard mode

6 Push-button and LED display yellow

Off: Standard mode
Flickering: MP communication active
On: Test run active
Flashing: Request for addressing from MP master
Press button: Confirmation of the MP addressing

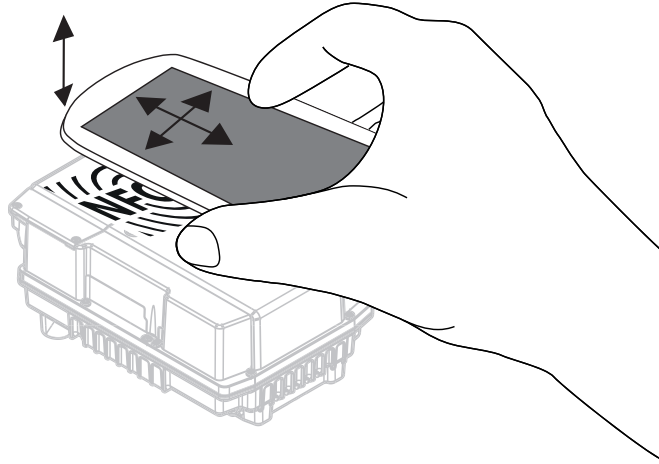
Service

NFC connection Belimo equipment marked with the NFC logo can be operated with the “Belimo Assistant App”.

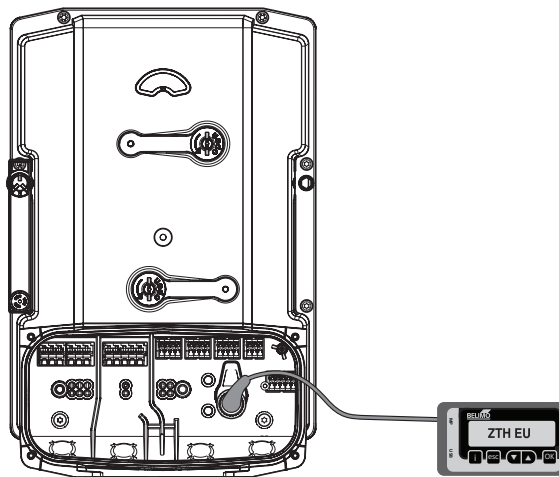
Requirement:

- NFC-capable Android smartphone
- Belimo Assistant App (Google Play Store)

Align smartphone on the actuator so that both NFC antennas are superposed.

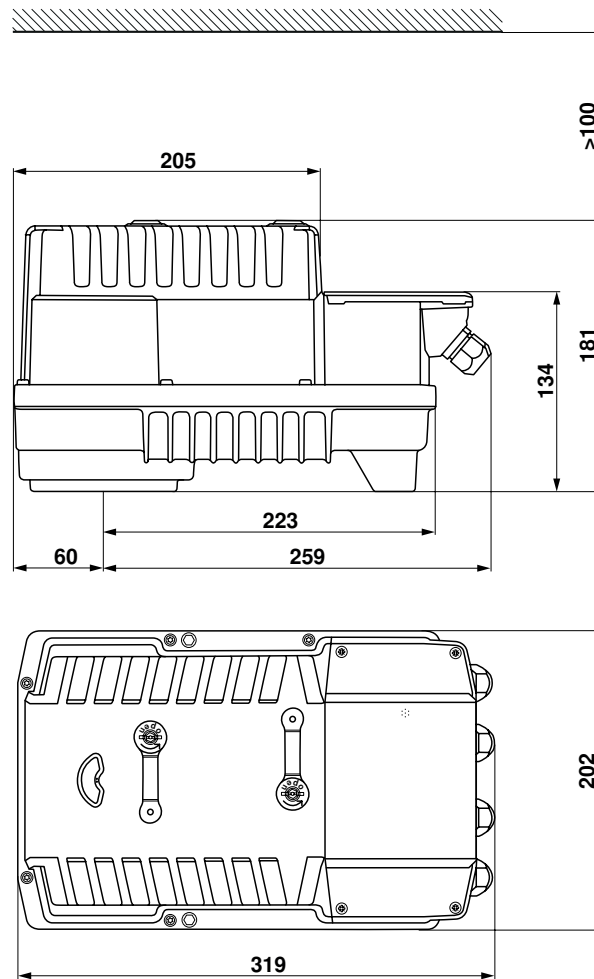


Service Tools connection The actuator can be parameterised by the ZTH EU via the service socket.



Dimensions [mm]

Dimensional drawings



Further documentation

- Overview Valve-actuator combinations
- Data sheets for butterfly valves
- Installation instructions for actuators and/or butterfly valves
- General notes for project planning
- Overview MP Cooperation Partners
- Tool connections
- Introduction to MP-Bus Technology