



3323-E3

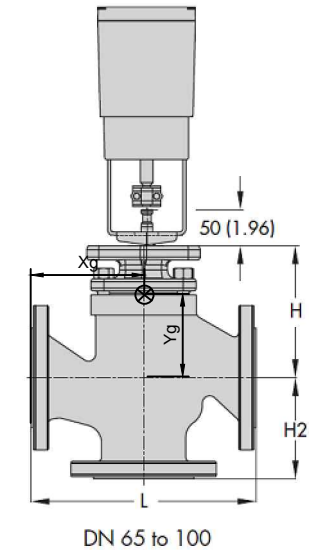
Table 6: Dimensions and weights for Type 3323 Three-way Valve

Table 6.1: Valve with standard bonnet

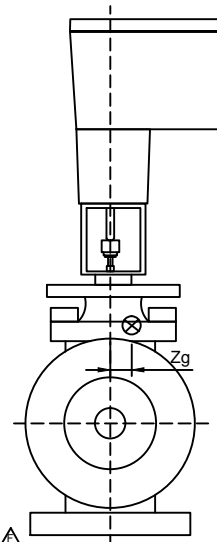
Valve size	DN	15	20	25	32	40	50	65	80	100
Face-to-face dimension L	mm	130	150	160	180	200	230	290	310	350
Height H	mm	110			115			135		157
Height H2	mm	70	80	85	100	105	120	130	140	150
Weight	kg (approx.)	5	6	7	11	12	15	31	37	49

Table 6.3: Weights of Type 3371, Type 3372, Type 5824 and Type 3374 Actuators

Actuator type	Pneumatic		Electropneumatic			Electric		
Type	3371/120	3371/350	3372/120	3372/120	3372/350	E1/5824	E3/3374	
Positioner	-		Integrated	Type 3725		Optional, integrated		
Weight	kg (approx.)	4	13	6	7	16	1.25	Max. 4



TAG	ACTUATOR MODEL	BODY MODEL	ASSOCIATED EQUIPMENT	SIZE	CLASSIFICATION	APROX. WEIGHT (Kg)
MTV-CHWS0620	E3 - TYPE 3374	TYPE 3323	CWP-CHW00001	DN100	W	52.9
MTV-CHWS0639	E3 - TYPE 3374	TYPE 3323	CWP-CHW00002	DN100	W	52.9
MTV-CHWS0658	E3 - TYPE 3374	TYPE 3323	CWP-CHW00003	DN100	W	52.9
THV-ASWS0149	E3 - TYPE 3374	TYPE 3323	CWP-CHW00001	DN100	W	52.9
THV-ASWS0148	E3 - TYPE 3374	TYPE 3323	CWP-CHW00002	DN100	W	52.9
THV-ASWS0147	E3 - TYPE 3374	TYPE 3323	CWP-CHW00003	DN100	W	52.9



DN (mm)	L (mm)	H (mm)	H2 (mm)	Xg (mm)	Yg (mm)	Zg (mm)
100	350	157	150	42.5	132.5	13.5

MOTORIZED VALVE THREE WAY (PROPORTIONAL REGULATION)

PROJECT:			
DESCRIPTION: CHILLED WATER MOTORIZED CONTROL / CLOSE VALVES			
DRAWING NUMBER:	SCALE: NTS	FORMAT: A3	SHEET: 04/04