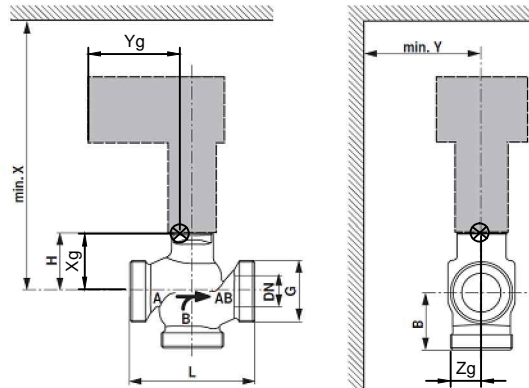
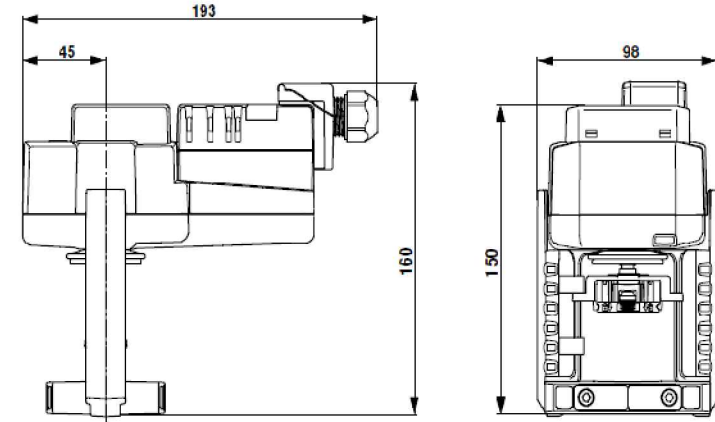


Dimensional drawings



X/Y: Minimum distance with respect to the valve centre.
The actuator dimensions can be found on the respective actuator data sheet.


Dimensional drawings. NV24A-SR-TPC



| TAG | ACTUATOR MODEL | BODY MODEL | ASSOCIATED EQUIPMENT | SIZE | CLASSIFICATION | APPROX. WEIGHT (Kg) |
|--------------|----------------|--------------|----------------------|------|----------------|---------------------|
| MTV-CHWS049R | NV24A-SR-TPC | H540B+ZH4540 | CCO-VEN02011 | DN40 | (W) | 3.9 |

| Type | DN [mm] | G ["] | L [mm] | B [mm] | H [mm] | X [mm] | Y [mm] | Weight [Kg] | Xg [mm] | Yg [mm] | Zg [mm] |
|-------|---------|--------|--------|--------|--------|--------|--------|-------------|---------|---------|---------|
| H511B | 15 | 1/2" | 80 | 55 | 46 | 290 | 100 | 1.2 | 46 | 69.0 | 17.0 |
| H512B | 15 | 1/2" | 80 | 55 | 46 | 290 | 100 | 1.2 | 46 | 69.0 | 17.0 |
| H513B | 15 | 1/2" | 80 | 55 | 46 | 290 | 100 | 1.2 | 46 | 69.0 | 17.0 |
| H514B | 15 | 1/2" | 80 | 55 | 46 | 290 | 100 | 1.2 | 46 | 69.0 | 17.0 |
| H515B | 15 | 1/2" | 80 | 55 | 46 | 290 | 100 | 1.3 | 46 | 69.0 | 17.0 |
| H520B | 20 | 1/2" | 90 | 55 | 46 | 290 | 100 | 1.3 | 46 | 76.0 | 21.0 |
| H525B | 25 | 1/2" | 110 | 55 | 52 | 300 | 100 | 1.5 | 52 | 82.1 | 23.3 |
| H532B | 32 | 2" | 120 | 55 | 56 | 300 | 100 | 2.0 | 56 | 84.3 | 25.3 |
| H540B | 40 | 2 1/2" | 130 | 60 | 65 | 310 | 100 | 2.5 | 65 | 86.3 | 27.4 |
| H550B | 50 | 2 1/2" | 150 | 65 | 65 | 310 | 100 | 3.4 | 65 | 90.4 | 29.2 |

MOTORIZED VALVE THREE WAY (PROPORTIONAL REGULATION)

| | | | |
|--|---|-----------------|--|
| PROJECT: |  | | |
| DESCRIPTION: CHILLED WATER MOTORIZED CONTROL / CLOSE VALVES | DRAWING NUMBER: | | |
| SCALE: NTS | FORMAT: A3 | SHEET: 03/04 | |