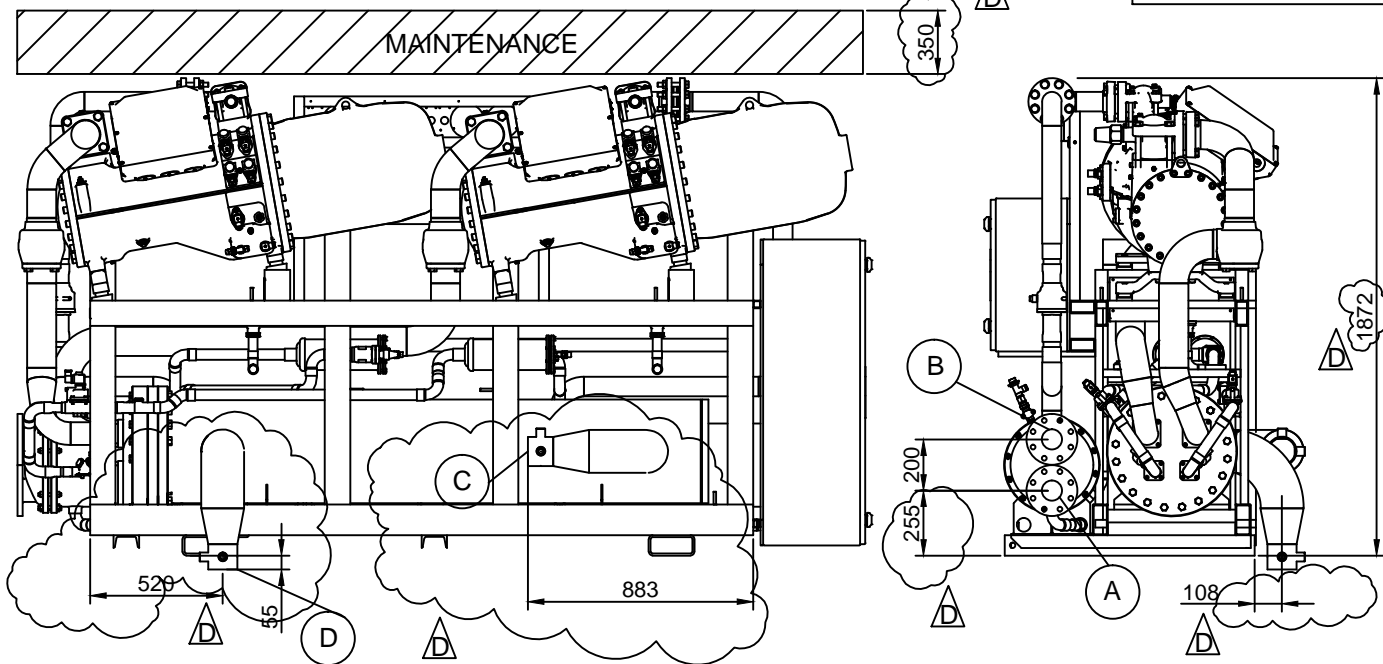
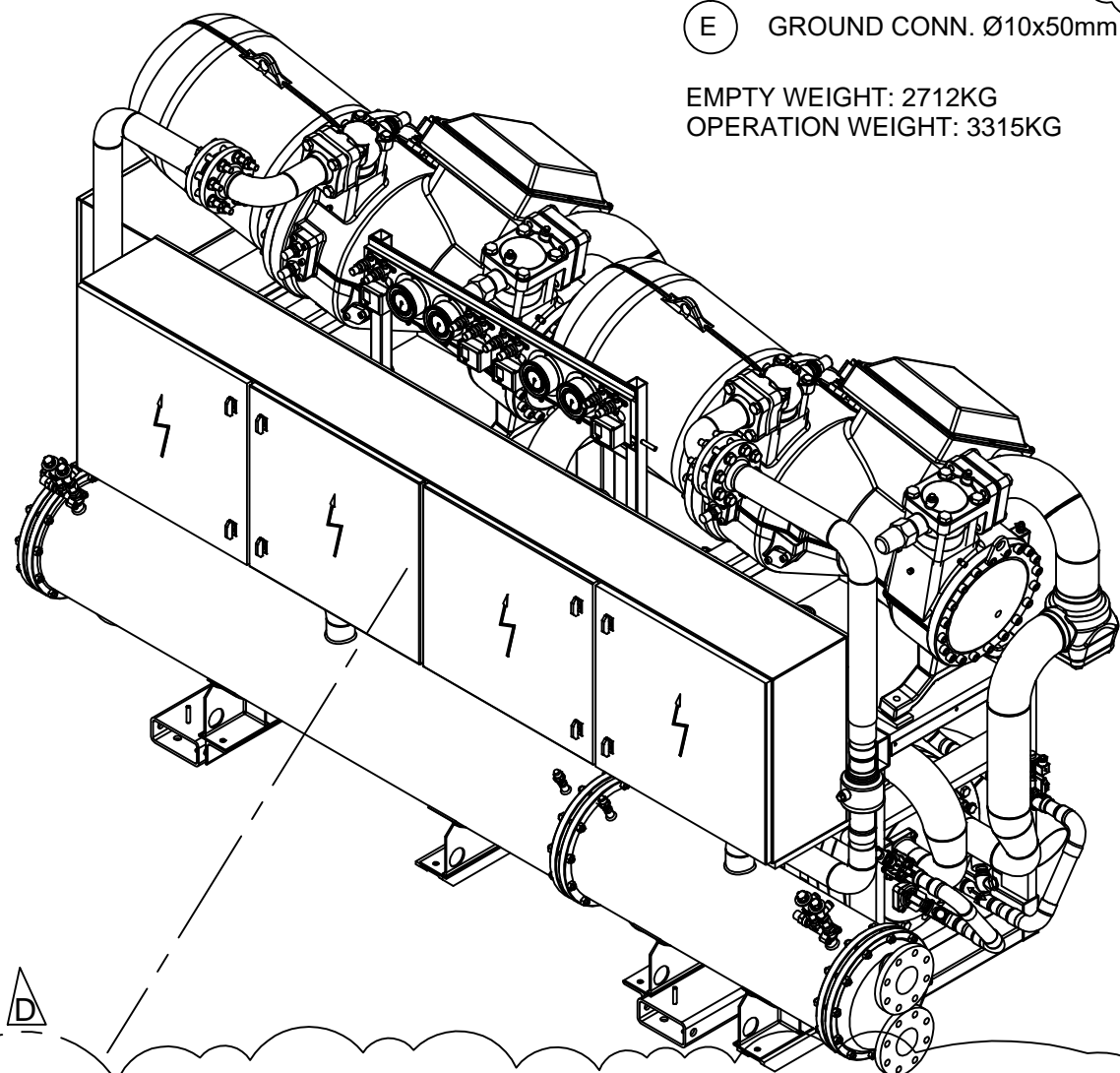
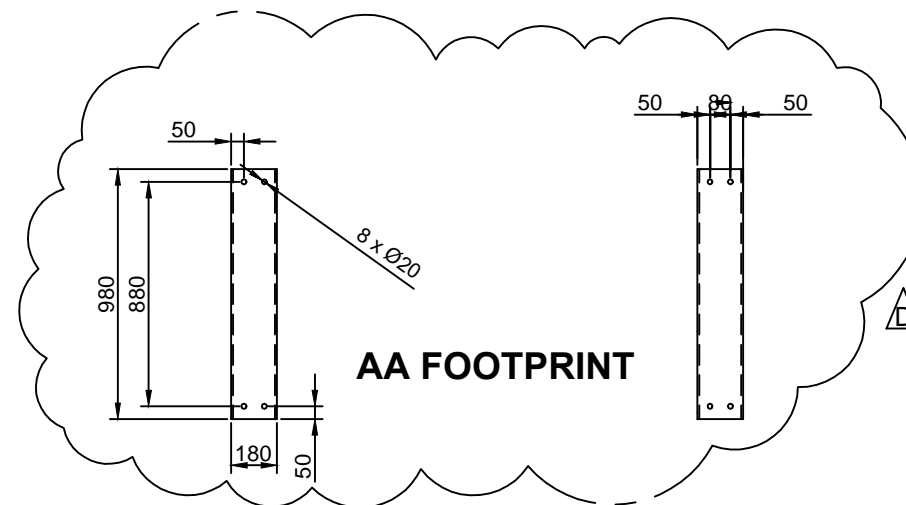
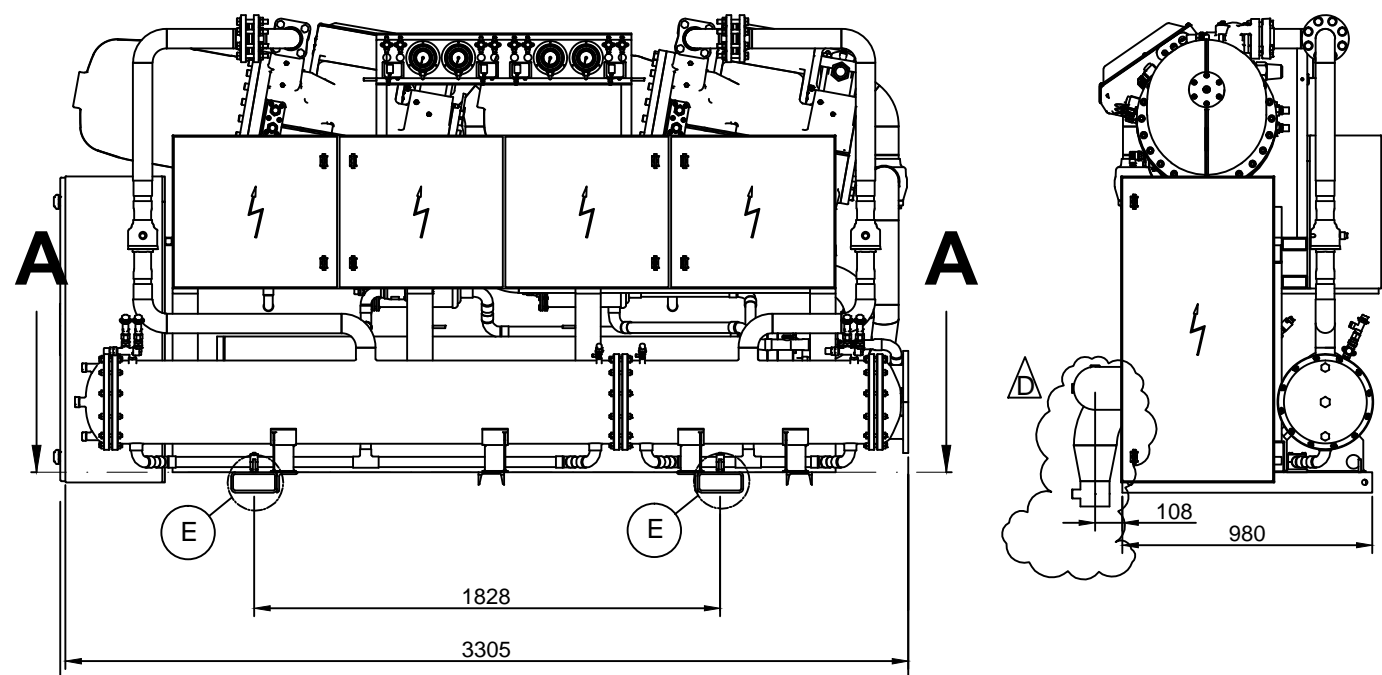


CWP-CHW00002

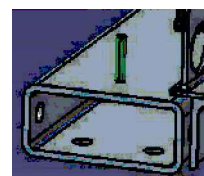


- (A) SEA WATER INLET. DN80
- (B) SEA WATER OUTLET. DN80
- (C) CHILLED WATER OUTLET. DN100. VICTAULIC
- (D) CHILLED WATER INLET. DN100. VICTAULIC
- (E) GROUND CONN. Ø10x50mm

EMPTY WEIGHT: 2712KG  
OPERATION WEIGHT: 3315KG




GROUND CONNECTION DETAIL

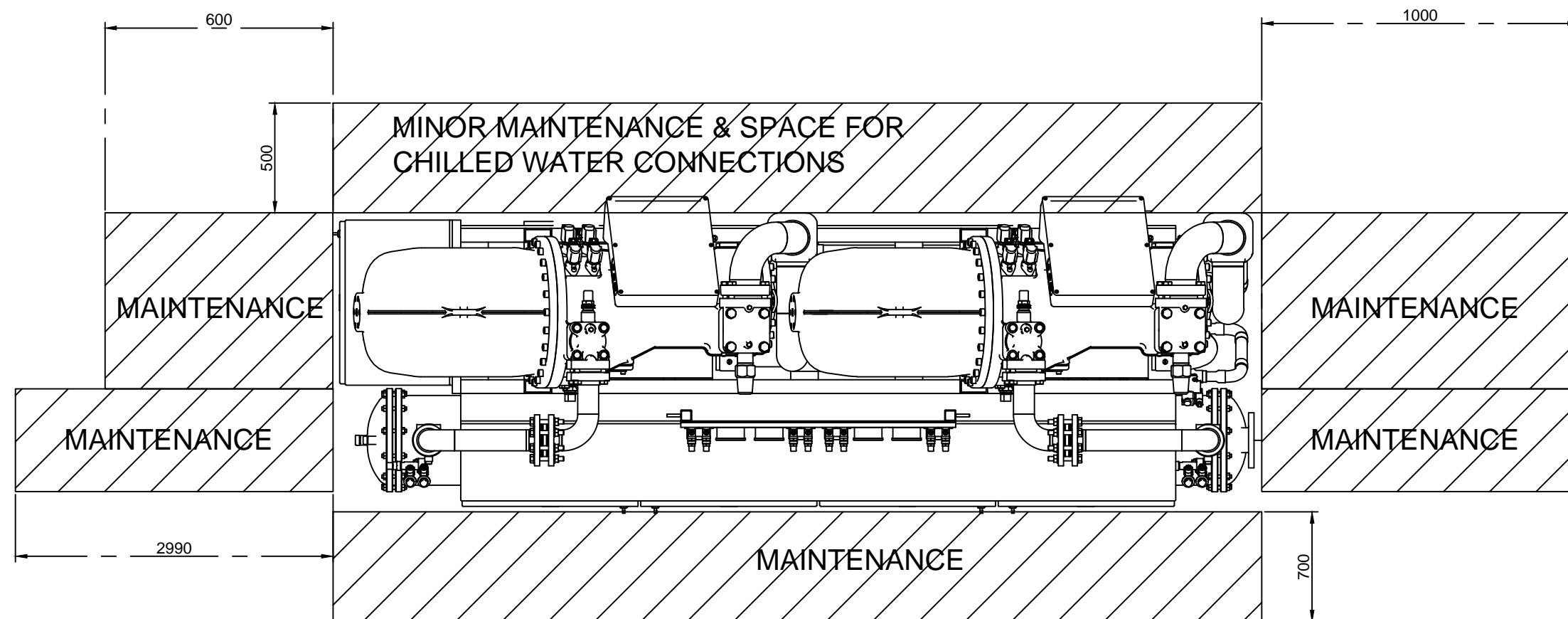


NOTE. CABLE ENTRY TO ELECTRICAL CABINET FROM BOTTOM SIDE. SEE DRAWING P-MO5362-193


D	UPDATED	23/07/19	JCR	MRH	MRH
C	UPDATED	04/04/19	JCR	MRH	MRH
B	UPDATED	17/10/18	JCR	MRH	MRH
A	FOR INFO./COMMENTS	07/08/17	JCR	MRH	MRH
REV.	DESCRIPTION	DATE	DRAWN	VERIFIED	APPROVED

PROJECT:					
AVANTE 2200					
DESCRIPTION:		DRAWING NUMBER:			
CHILLED WATER UNITS		P-M05462-016			
SCALE:		FORMAT:		SHEET:	
NTS		A3		03/06	

CWP-CHW00002



D	UPDATED	23/07/19	JCR	MRH	MRH
C	UPDATED	04/04/19	JCR	MRH	MRH
B	UPDATED	17/10/18	JCR	MRH	MRH
A	FOR INFO./COMMENTS	07/08/17	JCR	MRH	MRH
REV.	DESCRIPTION	DATE	DRAWN	VERIFIED	APPROVED

PROJECT:					
AVANTE 2200					
DESCRIPTION:		DRAWING NUMBER:			
CHILLED WATER UNITS		P-M05462-016			
SCALE:	FORMAT:	SHEET:			
NTS	A3	04/06			