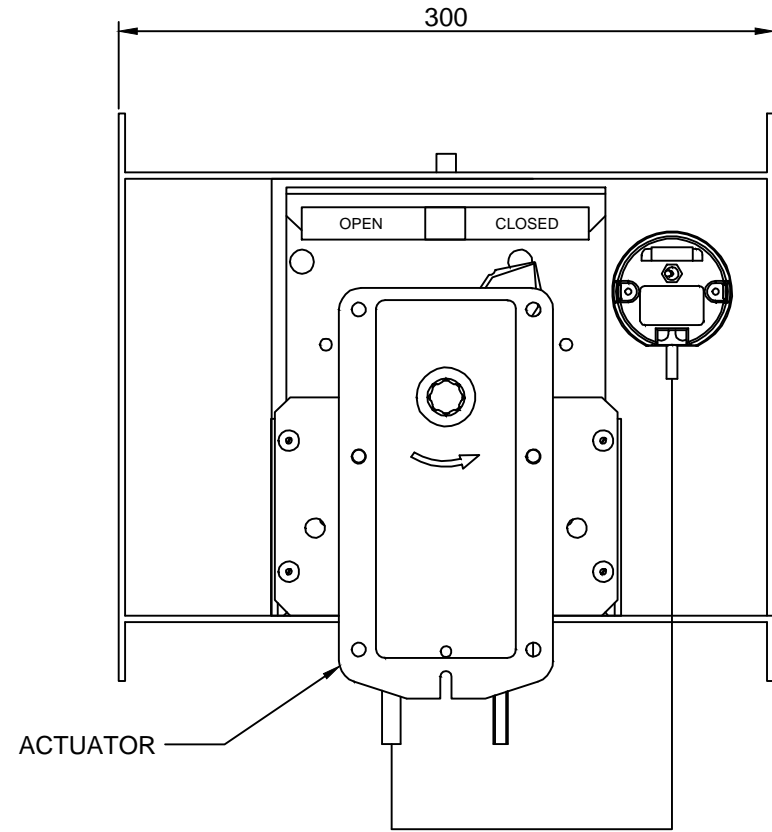
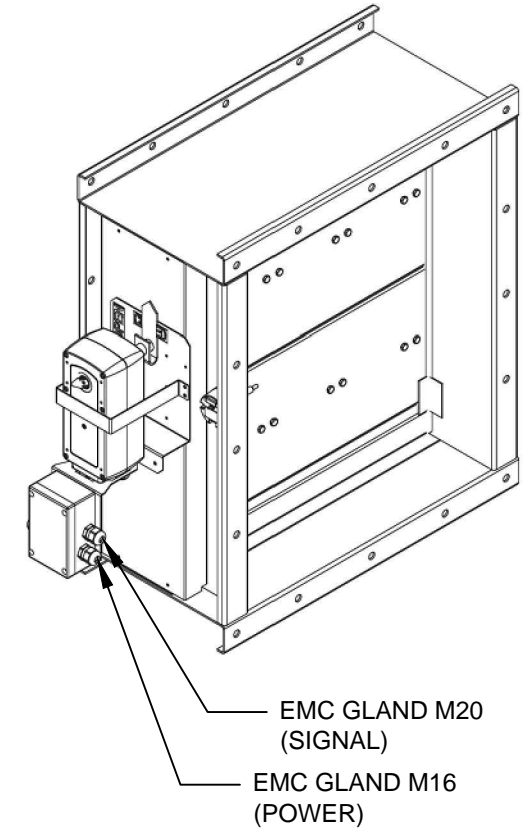
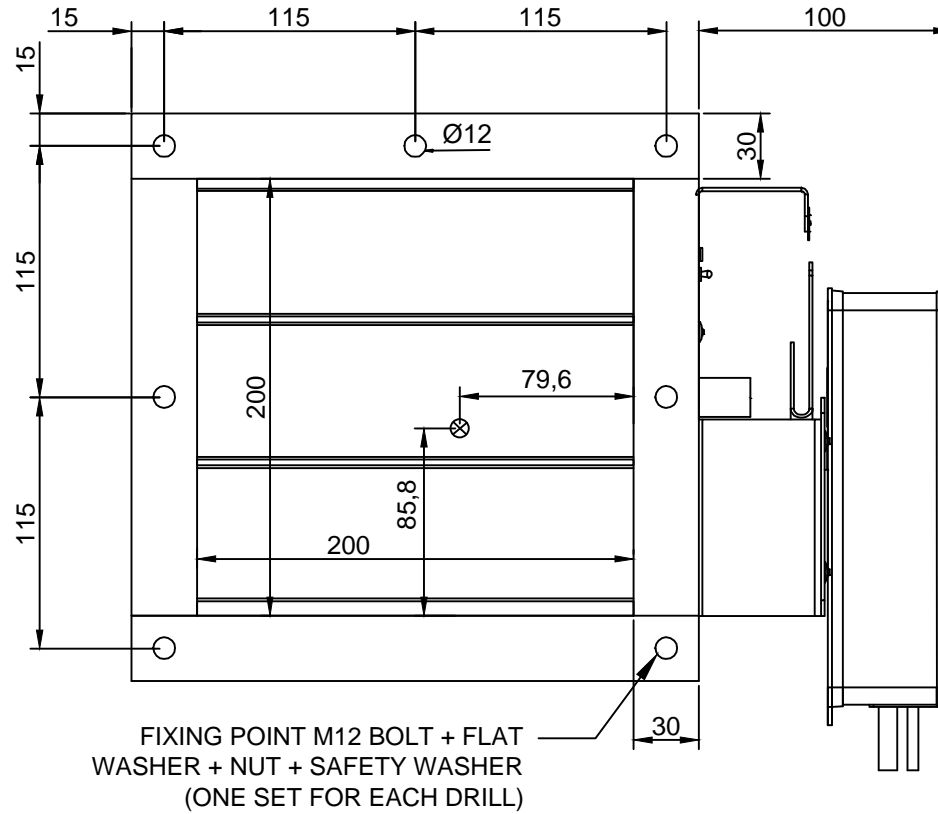


**SIDE VIEW**

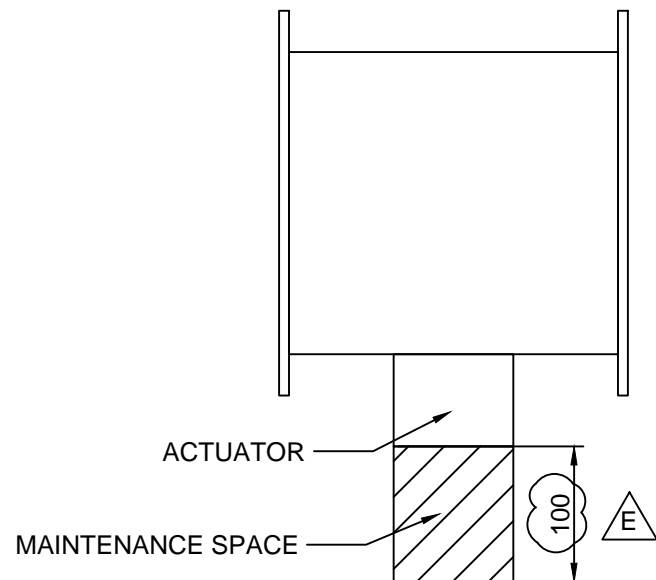


**FRONT VIEW**



EMC GLAND M20 (SIGNAL)  
EMC GLAND M16 (POWER)  
⊗ CENTER OF GRAVITY

**TOP VIEW MAINTENANCE SPACE**



TYPE	TAG	MODEL	ACTUATOR MODEL	SERVICE	CLASS	SIZE	WEIGHT (Kg)
Fire damper	FDR-VEN01001	SFD03 Z	BFL 230 T	FAN-VEN01011 (EXHAUST GALLEY)	A60	200 X200	25
Fire damper	FDR-VEN01002	SFD03 Z	BFL 230 T	FAN-VEN01010 (FRESH AIR GALLEY)	A60	200 X 200	25
Fire damper	FDR-VEN01003	SFD03 Z	BFL 230 T	FAN-VEN01011 (EXHAUST GALLEY)	A60	200 X 200	25

E	UPDATED	09/08/19	JCR	AMF	MRH
D	UPDATED	07/08/19	JCR	AMF	MRH
C	UPDATED	03/04/19	JCR	AMF	MRH
B	UPDATED	10/08/18	JCR	AMF	MRH
A	FOR INFO./COMMENTS	04/08/17	JCR	AMF	MRH
REV.	DESCRIPTION	DATE	DRAWN	VERIFIED	APPROVED

PROJECT:	<b>AVANTE 2200</b>				
DESCRIPTION:	<b>FIRE DAMPERS</b>				
DRAWING NUMBER:	<b>P-M05462-009</b>				
SCALE:	NTS	FORMAT:	A3	SHEET:	01/03

