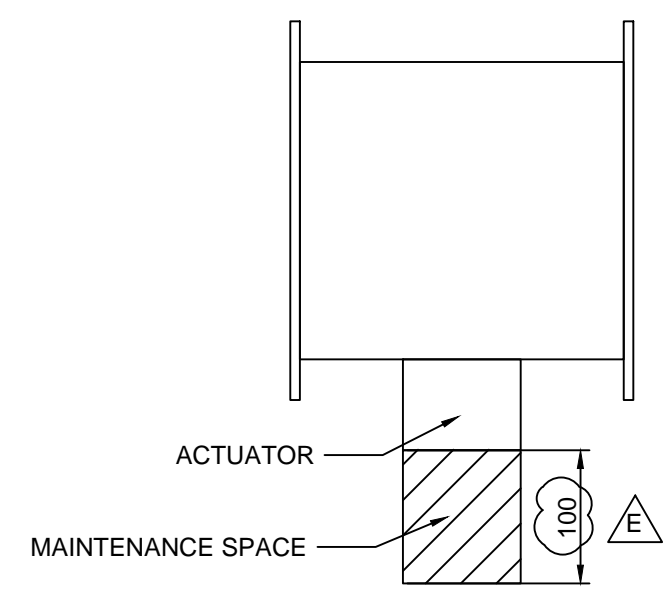


TOP VIEW MAINTENANCE SPACE




TYPE	TAG	MODEL	ACTUATOR MODEL	SERVICE	CLASS	SIZE	WEIGHT (Kg)
Fire damper	FDR-VEN02005	SFD03 Z	BFN 230 T	FAN-VEN02021	A60	350 X 350	29
Fire damper	FDR-VEN02006	SFD03 Z	BFN 230 T	FAN-VEN02020	A60	350 X 350	29

E	UPDATED	09/08/19	JCR	AMF	MRH
D	UPDATED	07/08/19	JCR	AMF	MRH
C	UPDATED	03/04/19	JCR	AMF	MRH
B	UPDATED	10/08/18	JCR	AMF	MRH
A	FOR INFO./COMMENTS	04/08/17	JCR	AMF	MRH
REV.	DESCRIPTION	DATE	DRAWN	VERIFIED	APPROVED

PROJECT:
AVANTE 2200

DESCRIPTION:
FIRE DAMPERS



DRAWING NUMBER:
P-M05462-009

SCALE: **NTS** FORMAT: **A3** SHEET: **02/03**