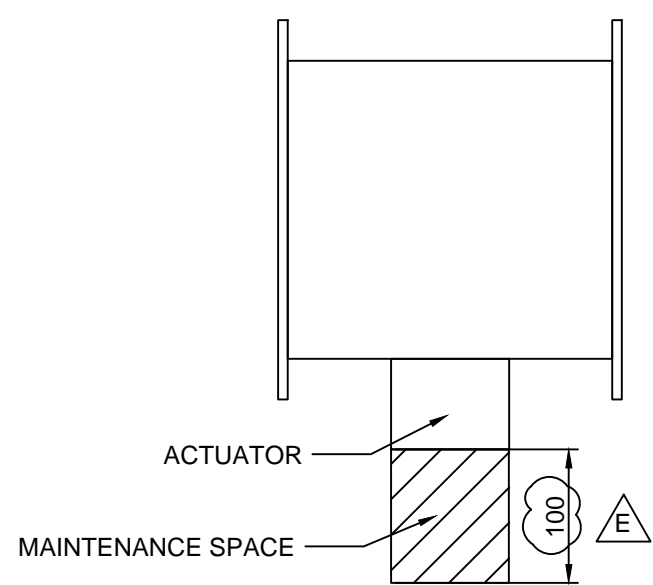



**TOP VIEW MAINTENANCE SPACE**



TYPE	TAG	MODEL	ACTUATOR MODEL	SERVICE	CLASS	SIZE	WEIGHT (Kg)
Fire damper	FDR-ACO01004	SFD03 Z	BFN 230 T	RETURN FCO-ACO01012	A60	450 X350	34

E	UPDATED	09/08/19	JCR	AMF	MRH
D	UPDATED	07/08/19	JCR	AMF	MRH
C	UPDATED	03/04/19	JCR	AMF	MRH
B	UPDATED	10/08/18	JCR	AMF	MRH
A	FOR INFO./COMMENTS	04/08/17	JCR	AMF	MRH
REV.	DESCRIPTION	DATE	DRAWN	VERIFIED	APPROVED

PROJECT: AVANTE 2200



DESCRIPTION: FIRE DAMPERS

DRAWING NUMBER: P-M05462-009

SCALE: NTS    FORMAT: A3    SHEET: 03/03