

RDH E -0200

Performance certified is for installation type B - free inlet, ducted outlet.
 Power rating (kW) does not include transmission losses.
 Performance ratings do not include the effects of appurtenances (accessories).

Technical Data

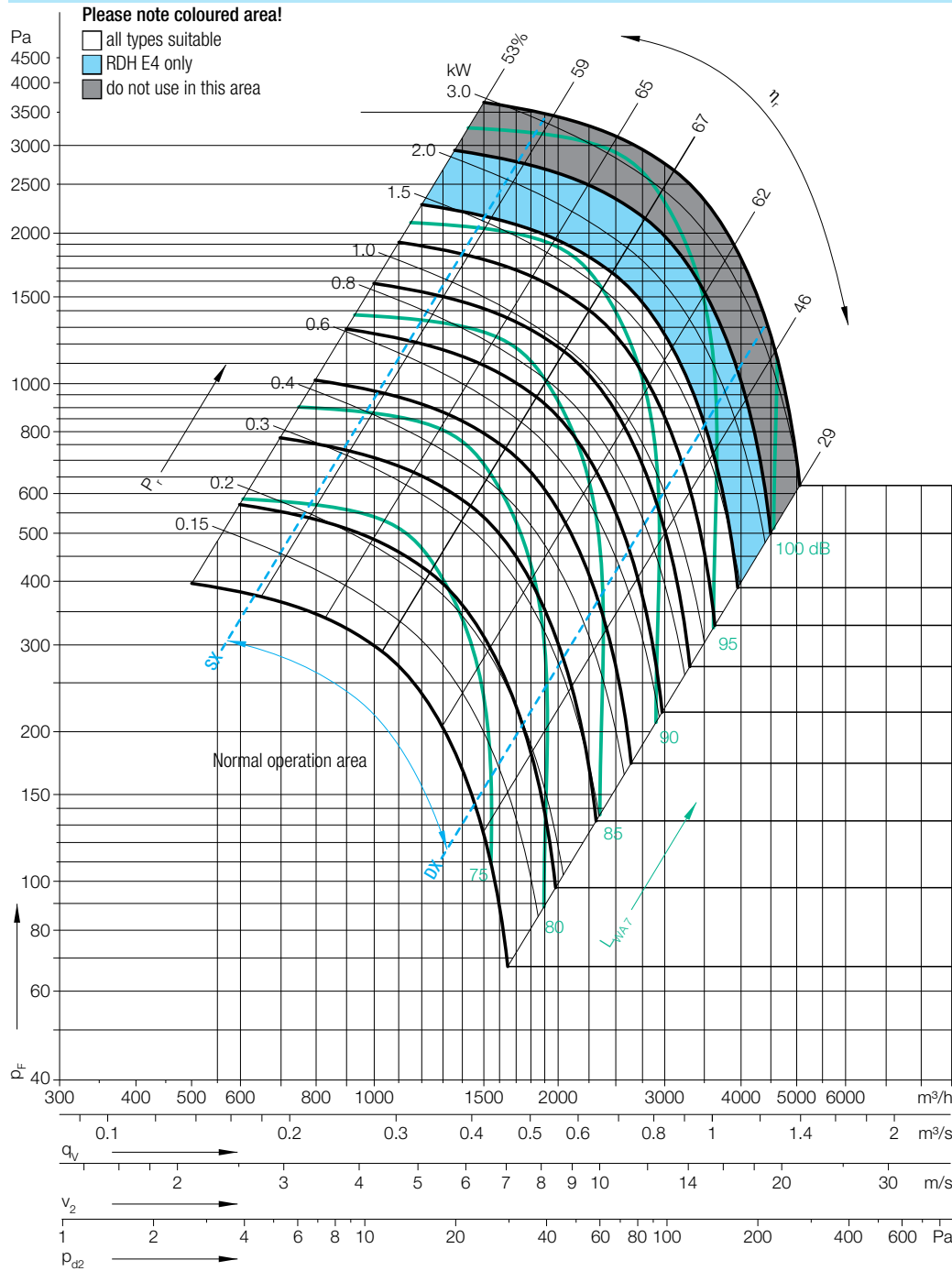
Impeller Data

Impeller diameter	D_r	200 mm
Number of blades	z	8
Moment of Inertia	J	0,006 kgm ²

Impeller Data

Impeller weight	m	0,84 kg
Density of media	ρ_1	1,2 kg/m ³
Tolerance class (DIN 24166)		2

Performance Curves

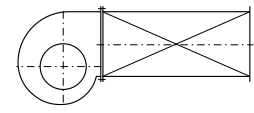


AMCA CERTIFIED RATINGS
AIR PERFORMANCE
AIR MOVEMENT AND CONTROL ASSOCIATION INTERNATIONAL, INC.

Nicotra Gebhardt S.p.A certifies that the fan shown herein is licensed to bear the AMCA Seal. The ratings shown are based on tests and procedures performed in accordance with AMCA Publication 211 and comply with the requirements of the AMCA Certified Ratings Program. The AMCA Certified Ratings Seal applies to air performance ratings only.

1/min	W	W	W
7600	50	50	50
6800	45	45	45
6000	40	40	40
5500	36	36	36
5000	33	33	33
4500	30	30	30
4000	26	26	26
3500	23	23	23
3000	20	20	20
2500	16	16	16
	RDH E0	RDH E2	RDH E4

Measured in installation B according to ISO 5801:



$\Delta L_{Wrel4}(A)$

Duty point	Speed 1/min	dB
SX	5500	5
SX	4500	4
SX	3000	3
$Q_{V,opt}$	5500	4
$Q_{V,opt}$	4500	3
$Q_{V,opt}$	3000	1
DX	5500	2
DX	4500	2
DX	3000	0

Relative sound power level for inlet side L_{Wrel7} at octave centre frequencies f_c

63	125	250	500	1000	2000	4000	8000	Hz
-5	-5	-5	-3	-5	-8	-11	-17	dB
-5	-5	-5	-3	-5	-8	-11	-17	dB
-5	-5	-5	-3	-5	-8	-11	-17	dB
-4	-2	-1	-4	-6	-7	-9	-13	dB
-3	-1	-2	-3	-6	-9	-9	-14	dB
-0	1	-2	-4	-5	-8	-10	-18	dB
-7	-4	-3	-5	-6	-6	-10	-13	dB
-6	-3	-4	-4	-5	-8	-11	-11	dB
-3	-2	-4	-4	-4	-8	-12	-12	dB

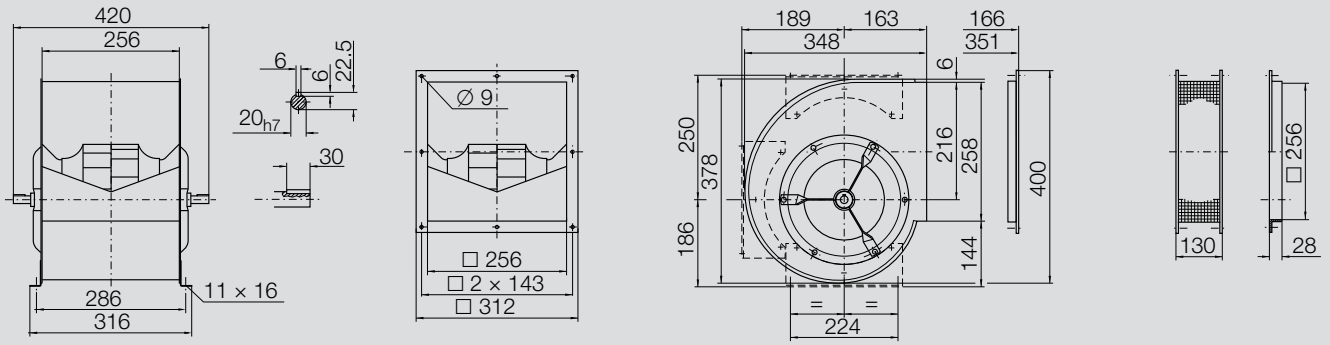
Relative sound power level for discharge side L_{Wrel4} at octave centre frequencies f_c

63	125	250	500	1000	2000	4000	8000	Hz
25	10	5	4	-6	-7	-11	-17	dB
22	7	7	2	-7	-7	-12	-18	dB
14	7	7	-2	-5	-8	-14	-18	dB
19	11	7	1	-8	-7	-11	-17	dB
16	10	6	-1	-8	-8	-13	-21	dB
14	9	3	-5	-6	-9	-15	-21	dB
19	7	0	-1	-8	-5	-8	-17	dB
18	3	1	-1	-7	-6	-11	-16	dB
10	2	1	-6	-5	-6	-15	-17	dB

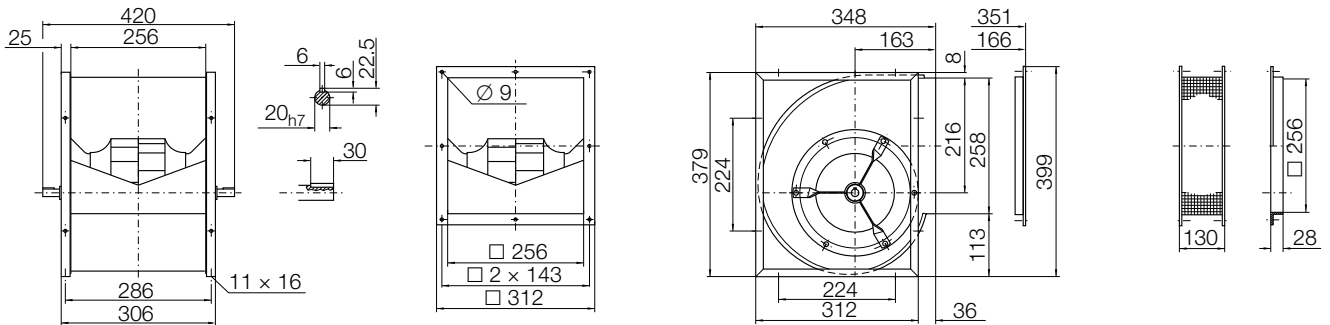
RDH E_-0200

Dimensions in mm, subject to change.

RDH E0-0200 6.6 kg



RDH E2-0200 8.5 kg



RDH E4-0200 11.8 kg

