

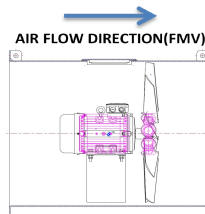
**TECHNICAL CHARACTERISTICS**

**FAN GENERAL DATA:**

|                      |            |
|----------------------|------------|
| MODEL:               | V1M-280    |
| TYPE:                | Axial      |
| UNITS:               | 1          |
| POSITION:            | Horizontal |
| AIRFLOW (m3/h):      | 1900       |
| TEMPERATURE(°C):     | 60         |
| DENSITY(kg/m3):      | 1,06       |
| STATIC PRESSURE(Pa): | 250        |
| TOTAL PRESSURE(Pa):  | 289        |
| POWER, ABSORBED(kw): | 0,33       |
| START:               | DOL        |
| FAN WEIGHT(kg):      | 25,30      |

**CASING**

|                         |                           |
|-------------------------|---------------------------|
| MATERIAL:               | STEEL                     |
| PROTECTION:             | HOT DIP GALV + C4 PAINTED |
| ELECTRIC ACCESS:        | JUNCTION BOX              |
| INTERNAL DIAMETER(mm):  | 280                       |
| ORIGINAL D(mm):         | 320                       |
| LENGHT(mm):             | 270                       |
| HOLES D(mm):            | 10                        |
| HOLES NUMBER:           | 4                         |
| LIFTING EYES:           | YES                       |
| THICKNESS(mm):          | 2                         |
| ANTISPARK CONSTRUCTION: | NO                        |



**ELECTRIC MOTOR(\*):**

|                   |           |
|-------------------|-----------|
| POWER(kw):        | 0,55      |
| RPM               | 3600      |
| F(Hz)             | 60        |
| VOLTAGE(V):       | 440V/3ph  |
| FRAME:            | 71        |
| PROTECTION:       | IP55      |
| PAINTING:         | C3        |
| In(A):            | 1,7       |
| Is/In(A):         | 7,5       |
| COS φ:            | 0,81      |
| MOUNTING:         | B3        |
| INSULATION CLASS: | F         |
| BEARINGS DE:      | 6204-2ZC3 |
| BEARINGS NDE:     | 6204-2ZC3 |
| DUTY SERVICE:     | S1        |

(\* ) ELECTRIC MOTOR VALUES CAN VARY SLIGHTLY DEPENDING ON BRAND MOTOR

**ELECTRIC MOTOR ACCESSORIES:**

|                         |     |
|-------------------------|-----|
| HEATERS:                | NO  |
| VIBRATION SENSOR (SPM): | NO  |
| ANTIFREEZE LUBRICATION: | NO  |
| PTC:                    | YES |
| Pt100:                  | NO  |
| WITHOUT FAN(TENV):      | NO  |

**IMPELLER:**

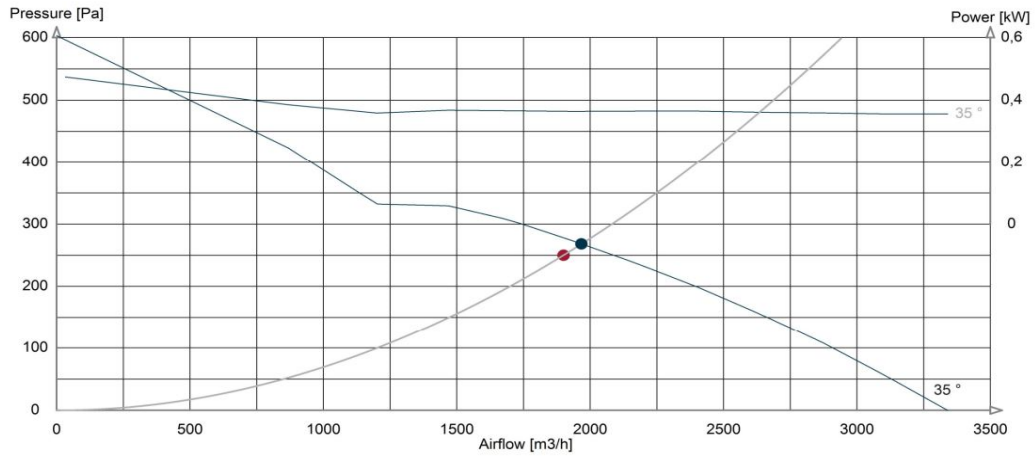
|                        |     |
|------------------------|-----|
| MATERIAL:              | PPG |
| ROTATION:              | FMV |
| BLADE TYPE:            | 3H  |
| IMPELLER DIAMETER(mm): | 274 |
| SHAFT DIAMETER(mm):    | 14  |
| NUMBER OF BLADES:      | 4-8 |
| PITCH ANGLE:           | 35° |

**ACCESORIES**

|                  |              |               |
|------------------|--------------|---------------|
| SUPPORTS         | NO           |               |
| VIBRATION DAMPER | NO           |               |
| INLET CONE       | NO           |               |
|                  | <b>INLET</b> | <b>OUTLET</b> |
| MESH             | NO           | NO            |
| FLEXIBLE JOINT   | NO           | NO            |
| COUNTERFLANGE    | NO           | NO            |
| SILENCER         | NO           | NO            |

**FAN CURVE**

MODEL V1M-280 RPM 3600  
 FREQ.(Hz) 60



| IMPELLER INFORMATION: |        | APPLICATION:   |            |
|-----------------------|--------|----------------|------------|
| Impeller Diameter:    | 274 mm | Speed:         | 3420 RPM   |
| No of blades:         | 4      | Tip Clearance: | 3 mm       |
| Pitch:                | 35 °   | Temperature:   | 60 °C      |
| Blade Material:       | PPG    | Altitude:      | 0 m        |
| Blade Type:           | 3H     | Density:       | 1,06 kg/m3 |
| Impeller Rotation:    | L      |                |            |

Tests are carried out according to methods described in ANSI / AMCA 210-99 (Arrangement - A)

**SOUND DATA**

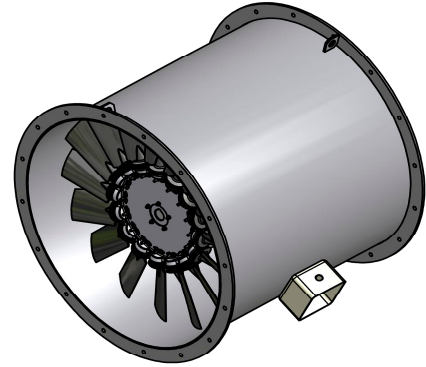
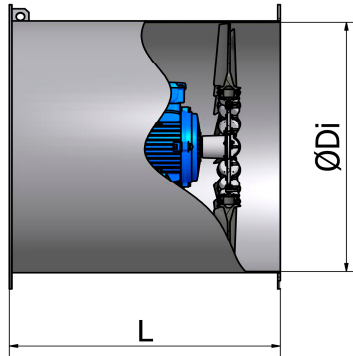
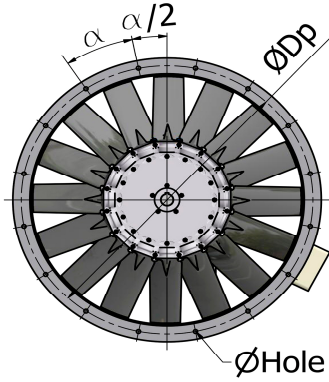
Sound power level based on AMCA 300-08/AMCA 301-06. Deviatiaon ± 6 dB

\*Only if fan has silencer

|        | SOUND POWER<br>dB | SOUND PRESSURE<br>dB(A)<br>1m free field 40° | INSERTION LOSS*<br>dB(A)<br>1m free field 40° |
|--------|-------------------|--|---|
| 63Hz   | 86,5              | 52,5   | NA  |
| 125Hz  | 81,5              | 58,5   | NA  |
| 250Hz  | 88,5              | 72,5   | NA  |
| 500Hz  | 84,5              | 75,5   | NA  |
| 1kHz   | 82,5              | 76,5   | NA  |
| 2kHz   | 79,5              | 74,5   | NA  |
| 4kHz   | 77,5              | 73,5   | NA  |
| 8kHz   | 67,5              | 62,5   | NA  |
| GLOBAL | 92,8              | 81,8   | NA  |

GENERAL ARRANGEMENT DRAWING

|       |         |           |    |
|-------|---------|-----------|----|
| MODEL | V1M-280 | FREQ.(Hz) | 60 |
| RPM   | 3600    |           |    |



MAIN DIMENSIONS

| FAN MODEL         | $\varnothing Di$ | $\varnothing Dp$ | L    | $\alpha$ | $\varnothing DHole$ |
|-------------------|------------------|------------------|------|----------|---------------------|
| V1M-280           | 280              | 320              | 270  | 90       | 10                  |
| DLsup             | DHsup            | Hsup             | Dsup | Lj       | Ls                  |
| NA                | NA               | NA               | NA   | NA       | NA                  |
| $\varnothing Dpa$ | Lp               |                  |      |          |                     |
| NA                | NA               |                  |      |          |                     |