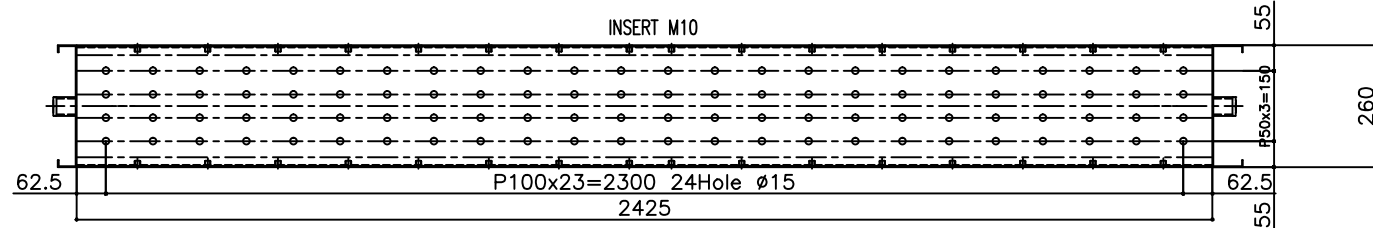
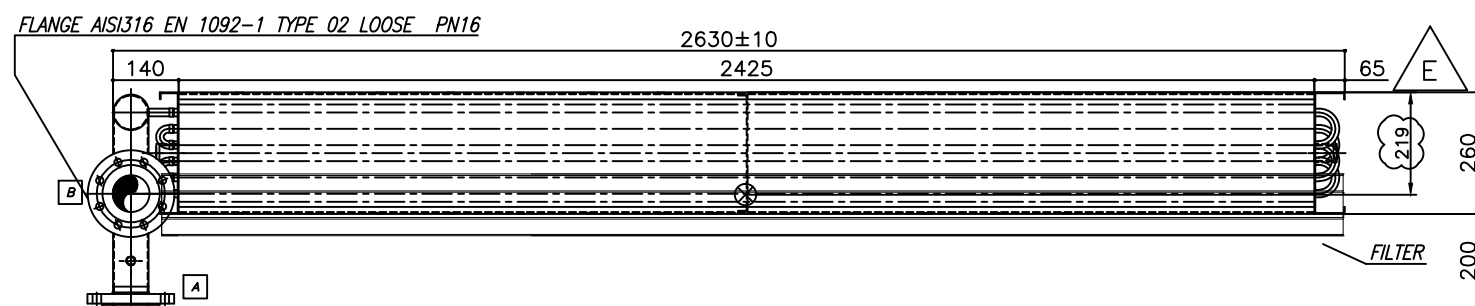
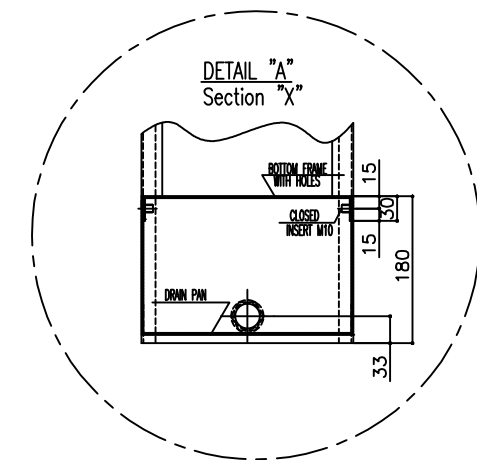


COILS DESCRIPTION	
EXCHANGERS TYPE	P40-16 AR 6R 40T 2425A CuNi-Cu 2.5Pa NC.30
AIR DIRECTION	HORIZONTAL
TUBES	CuNi90/10 - N°240 ø16x0.70
FIN	Cu - Thk. 0,10
FRAME	Aisi316 - Thk. 30/10_20/10
HEADERS & BRANCH	CuNi90/10 ø2 1/2 - FLANGE AISI316 EN 1092-1 TYPE 02 LOOSE PN16
WEIGHT	~590 Kg
PED TESTING	PED2014/68/EU - Art. 4.3



TAG	SERVICE	CLASSIFICATION
HEX-VES01002	FWD DIESEL GENERATOR ROOM	W
HEX-VES01003	FWD DIESEL GENERATOR ROOM	W
HEX-VES02004	AFT DIESEL GENERATOR ROOM	W
HEX-VES02005	AFT DIESEL GENERATOR ROOM	W

CONNECTION SIDE	
LEFT CONNECTION	
RIGHT CONNECTION	
LEFT CONNECTION	
RIGHT CONNECTION	

E	UPDATED	02/08/19	ATR	MRH	MRH
D	UPDATED	29/07/19	ATR	MRH	MRH
C	FOR INFO./COMMENTS	16/11/18	FSS	MRH	MRH
B	FOR INFO./COMMENTS	24/08/18	FSS	MRH	MRH
A	FOR INFO./COMMENTS	07/08/17	JCR	MRH	MRH
REV.	DESCRIPTION	DATE	DRAWN	VERIFIED	APPROVED

PROJECT:

AVANTE 2200

DESCRIPTION:

SEA WATER COILS

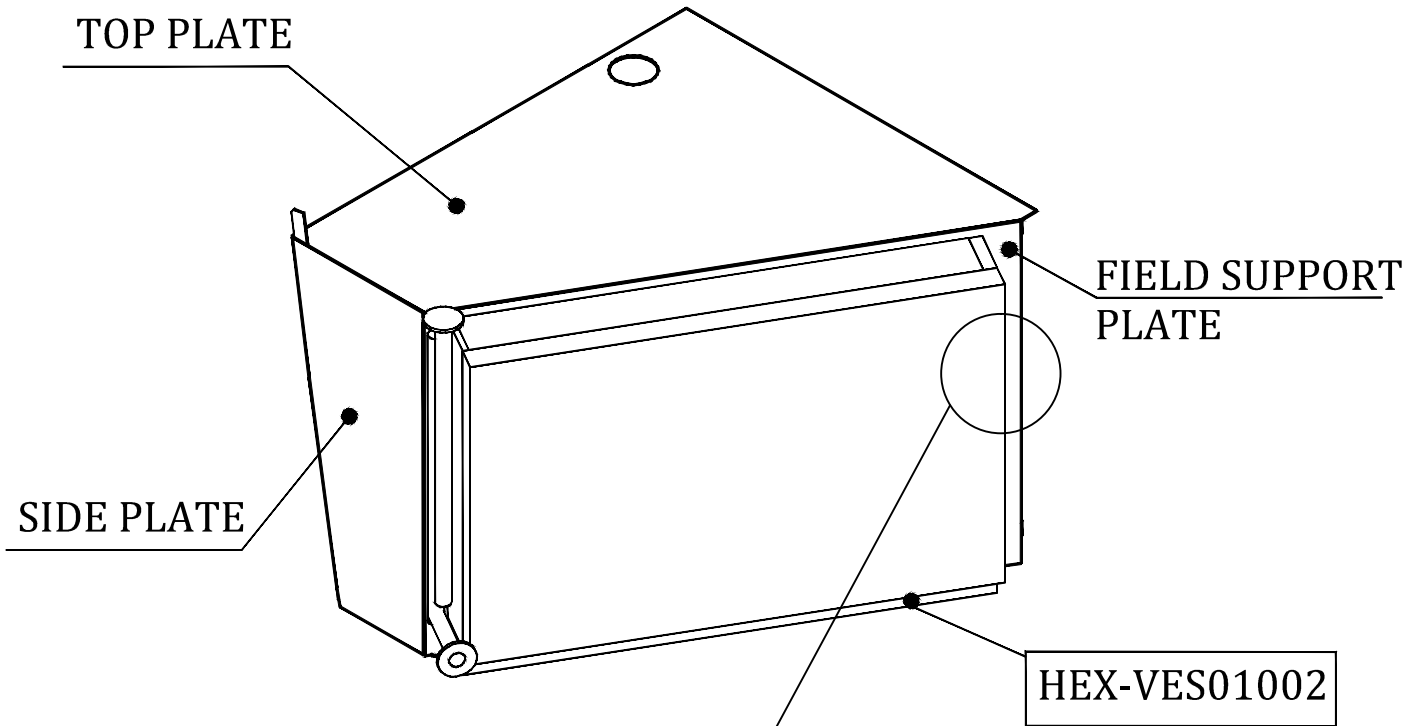
DRAWING NUMBER:

P-M05462-015

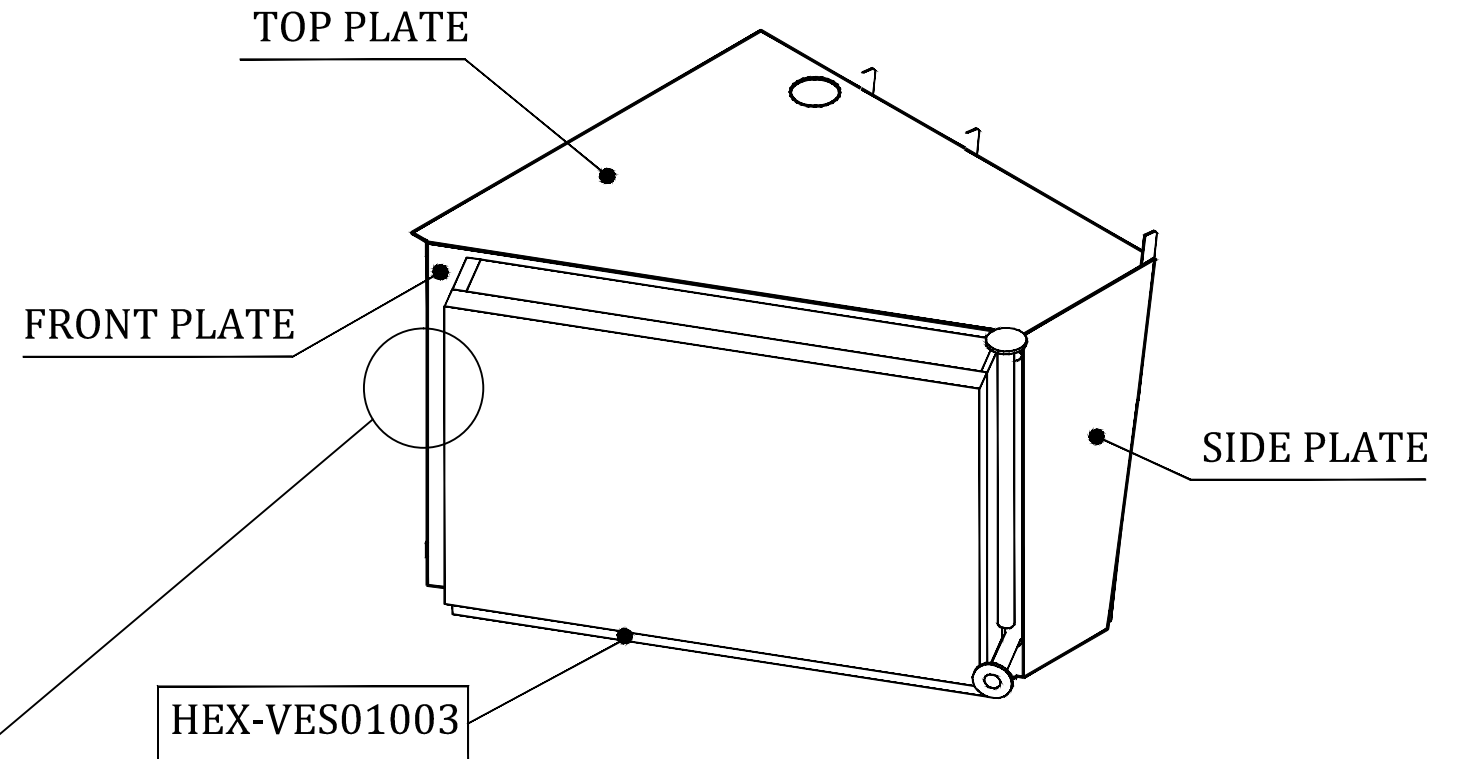
SCALE:	FORMAT:	SHEET:
NTS	A3	02/07

NOTE:
DRAWN LEFT SIDE CONNECTION MODEL.
RIGHT SIDE CONNECTION MODEL IS SIMETRIC.

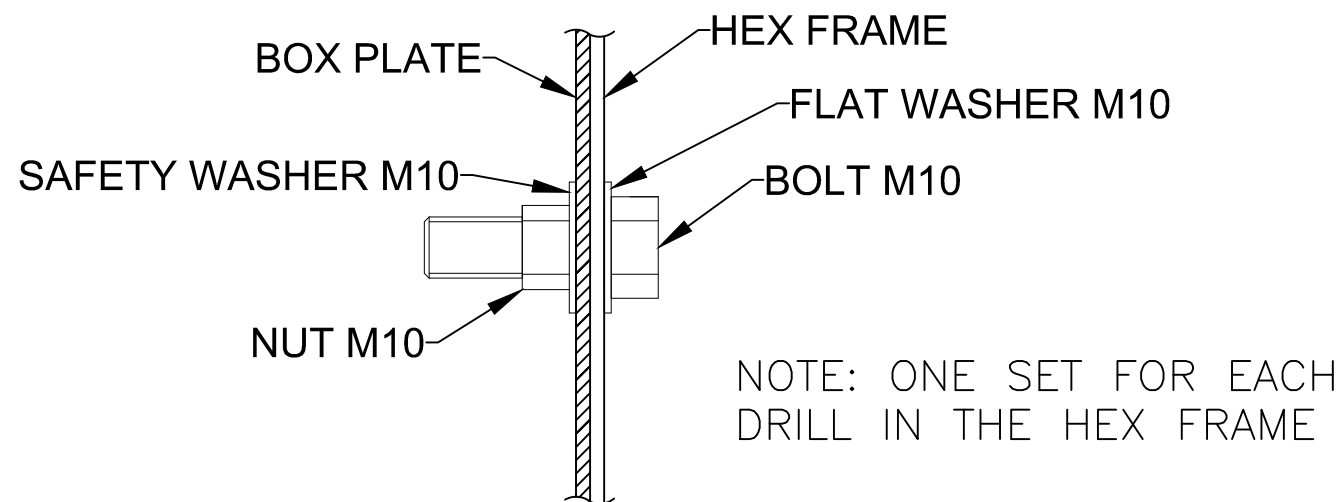
ISOMETRIC VIEW (BOX-HEX-VES01002)




ISOMETRIC VIEW (BOX-HEX-VES01003)



FIXING DETAIL



E	UPDATED	02/08/19	ATR	MRH	MRH
D	UPDATED	29/07/19	ATR	MRH	MRH
C	FOR INFO./COMMENTS	16/11/18	FSS	MRH	MRH
B	FOR INFO./COMMENTS	24/08/18	FSS	MRH	MRH
A	FOR INFO./COMMENTS	07/08/17	JCR	MRH	MRH
REV.	DESCRIPTION	DATE	DRAWN	VERIFIED	APPROVED

PROJECT:					
AVANTE 2200					
DESCRIPTION:		DRAWING NUMBER:			
SEA WATER COILS		P-M05462-015			
SCALE:	FORMAT:	SHEET:			
NTS	A3	05/07			