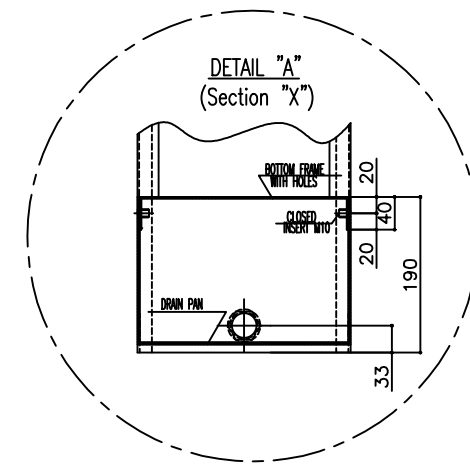
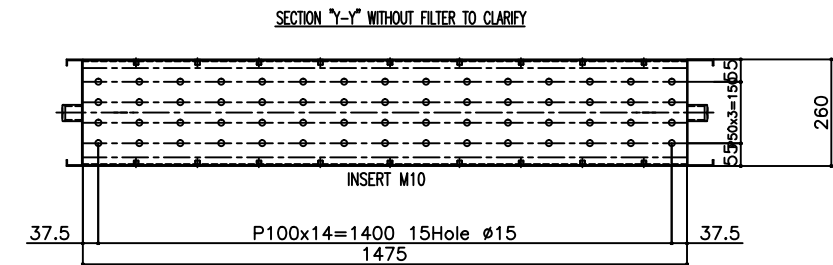


| COILS DESCRIPTION |  |
|-------------------|--|
| EXCHANGERS TYPE   | P40-16 AR 6R 78T 1475A CuNi-Cu 2.5Pa NC.33                           |
| AIR DIRECTION     | HORIZONTAL   |
| TUBES             | CuNi90/10 - N°468 $\phi$ 16x0.70                                     |
| FIN               | Cu - Thk. 0,10   |
| FRAME             | Aisi316 - Thk. 30/10_20/10   |
| HEADERS & BRANCH  | CuNi90/10 $\phi$ 2 1/2 - FLANGE AISI316 EN 1092-1 TYPE 02 LOOSE PN16 |
| WEIGHT            | ~730 Kg  |
| PED TESTING       | PED2014/68/EU - Art. 4.3   |



| TAG          | SERVICE             | CLASSIFICATION |
|--------------|---------------------|----------------|
| HEX-VES01006 | FORWARD ENGINE ROOM | W              |
| HEX-VES01007 | FORWARD ENGINE ROOM | W              |
| HEX-VES02008 | AFT ENGINE ROOM     | W              |
| HEX-VES02009 | AFT ENGINE ROOM     | W              |

| CONNECTION SIDE  |
|------------------|
| LEFT CONNECTION  |
| RIGHT CONNECTION |
| RIGHT CONNECTION |
| LEFT CONNECTION  |

NOTE:  
DRAWN LEFT SIDE CONNECTION MODEL.  
RIGHT SIDE CONNECTION MODEL IS SIMETRIC.

|      |                    |          |       |          |          |
|------|--------------------|----------|-------|----------|----------|
| E    | UPDATED            | 02/08/19 | ATR   | MRH      | MRH      |
| D    | UPDATED            | 29/07/19 | ATR   | MRH      | MRH      |
| C    | FOR INFO./COMMENTS | 16/11/18 | FSS   | MRH      | MRH      |
| B    | FOR INFO./COMMENTS | 24/08/18 | FSS   | MRH      | MRH      |
| A    | FOR INFO./COMMENTS | 07/08/17 | JCR   | MRH      | MRH      |
| REV. | DESCRIPTION        | DATE     | DRAWN | VERIFIED | APPROVED |

PROJECT: AVANTE 2200

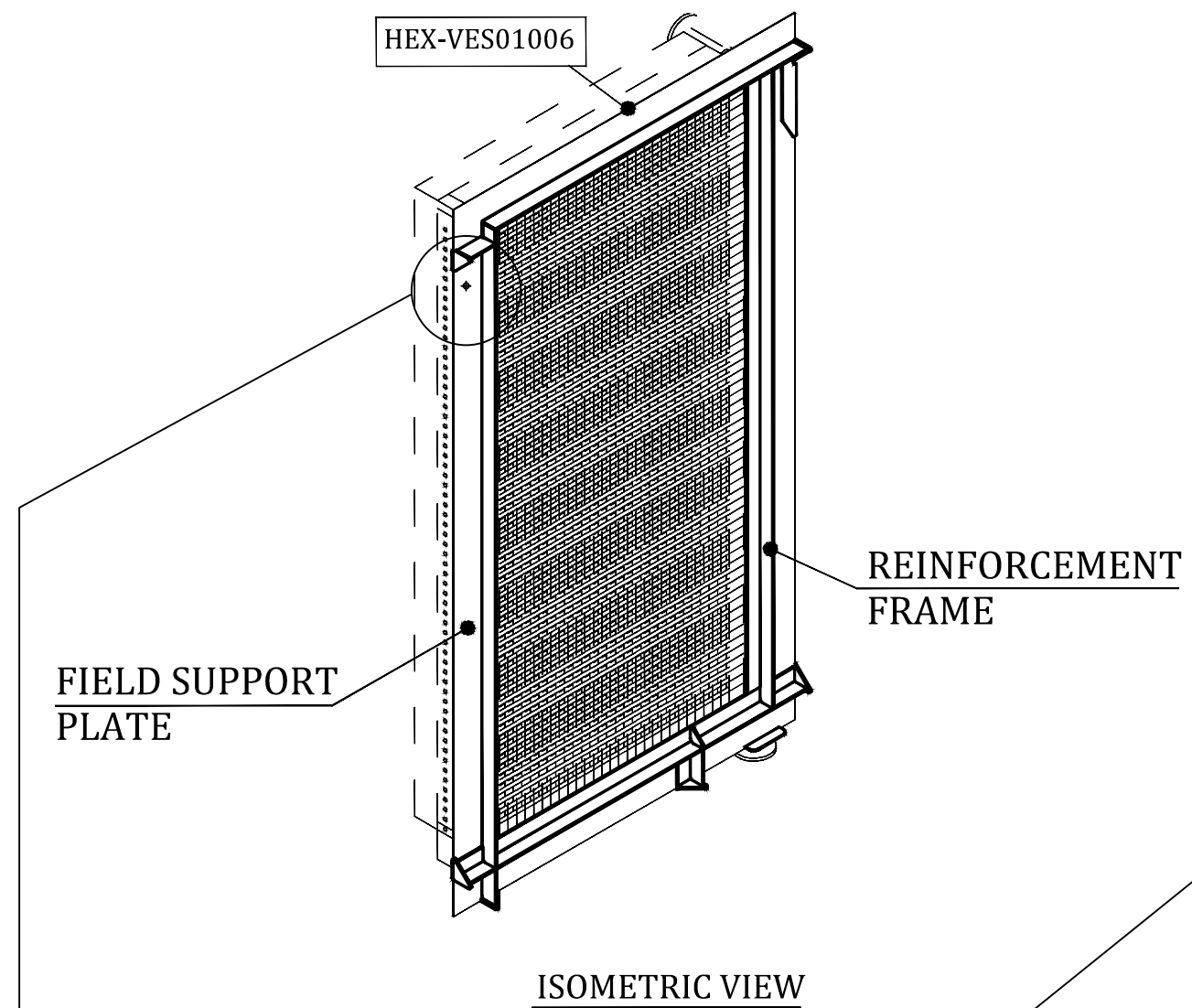


DESCRIPTION: SEA WATER COILS

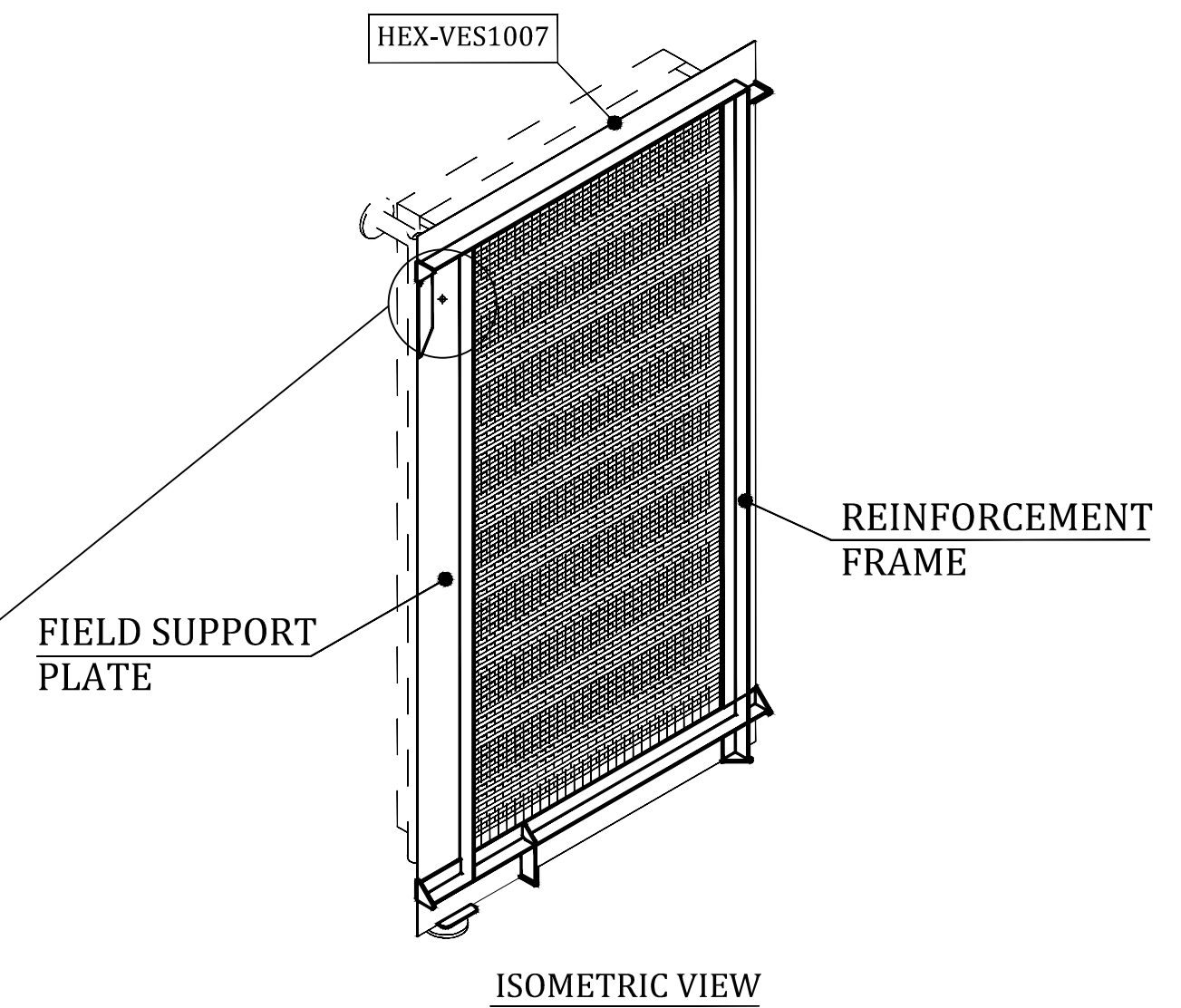
DRAWING NUMBER: P-M05462-015

|            |            |              |
|------------|------------|--------------|
| SCALE: NTS | FORMAT: A3 | SHEET: 01/07 |
|------------|------------|--------------|

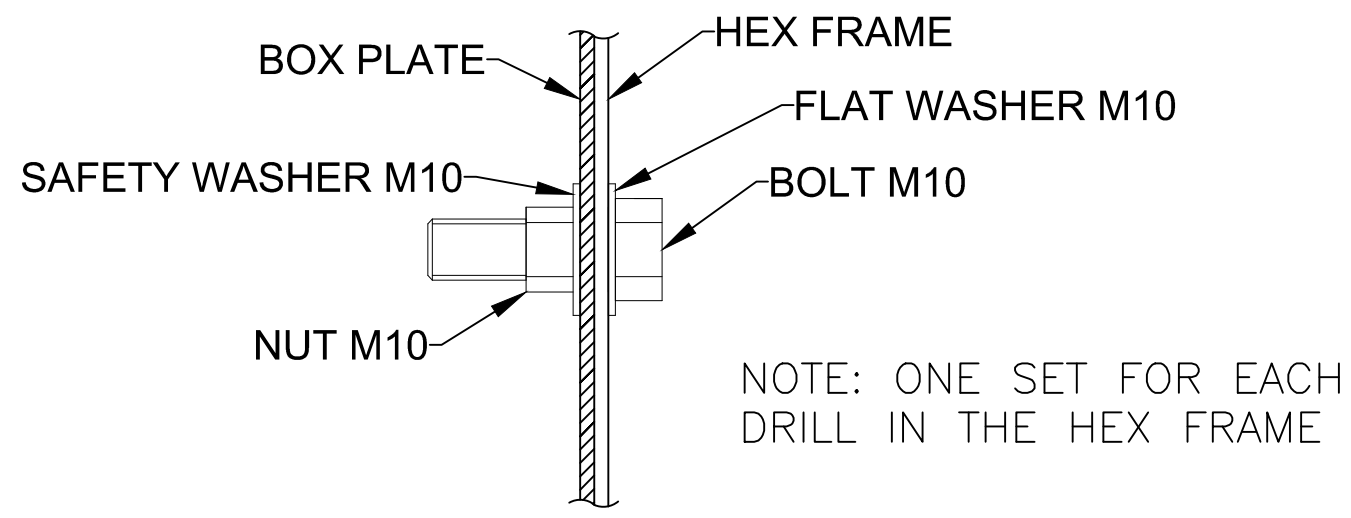
HEX-VES01006




HEX-VES1007



FIXING DETAIL



|      |                    |          |       |          |          |
|------|--------------------|----------|-------|----------|----------|
| E    | UPDATED            | 02/08/19 | ATR   | MRH      | MRH      |
| D    | UPDATED            | 29/07/19 | ATR   | MRH      | MRH      |
| C    | FOR INFO./COMMENTS | 16/11/18 | FSS   | MRH      | MRH      |
| B    | FOR INFO./COMMENTS | 24/08/18 | FSS   | MRH      | MRH      |
| A    | FOR INFO./COMMENTS | 07/08/17 | JCR   | MRH      | MRH      |
| REV. | DESCRIPTION        | DATE     | DRAWN | VERIFIED | APPROVED |

|                 |         |   |  |  |  |
|-----------------|---------|---|--|--|--|
| PROJECT:        |         |  |  |  |  |
| AVANTE 2200     |         |   |  |  |  |
| DESCRIPTION:    |         | DRAWING NUMBER:   |  |  |  |
| SEA WATER COILS |         | P-M05462-015  |  |  |  |
| SCALE:          | FORMAT: | SHEET:  |  |  |  |
| NTS             | A3      | 06/07   |  |  |  |