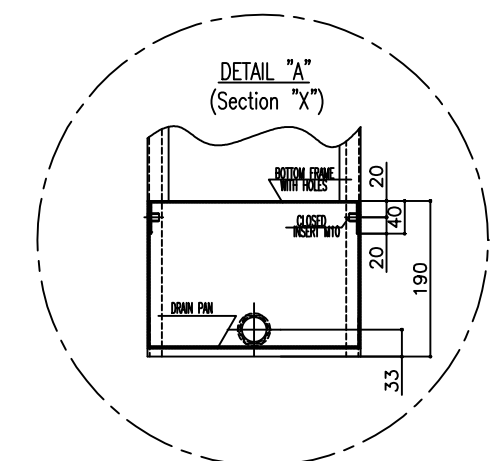
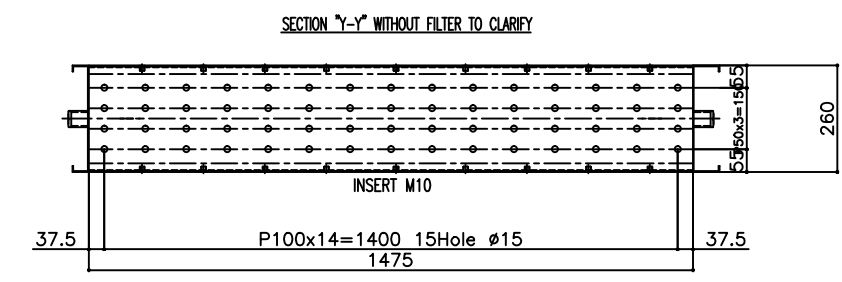


COILS DESCRIPTION	
EXCHANGERS TYPE	P40-16 AR 6R 78T 1475A CuNi-Cu 2.5Pa NC.33
AIR DIRECTION	HORIZONTAL
TUBES	CuNi90/10 - N°468 ø16x0.70
FIN	Cu - Thk. 0,10
FRAME	Aisi316 - Thk. 30/10_20/10
HEADERS & BRANCH	CuNi90/10 ø2 1/2 - FLANGE AISI316 EN 1092-1 TYPE 02 LOOSE PN16
WEIGHT	~730 Kg
PED TESTING	PED2014/68/EU - Art. 4.3



TAG	SERVICE	CLASSIFICATION
HEX-VES01006	FORWARD ENGINE ROOM	W
HEX-VES01007	FORWARD ENGINE ROOM	W
HEX-VES02008	AFT ENGINE ROOM	W
HEX-VES02009	AFT ENGINE ROOM	W

CONNECTION SIDE
LEFT CONNECTION
RIGHT CONNECTION
RIGHT CONNECTION
LEFT CONNECTION

NOTE:  
DRAWN LEFT SIDE CONNECTION MODEL.  
RIGHT SIDE CONNECTION MODEL IS SIMETRIC.


REV.	DESCRIPTION	DATE	DRAWN	VERIFIED	APPROVED
E	UPDATED	02/08/19	ATR	MRH	MRH
D	UPDATED	29/07/19	ATR	MRH	MRH
C	FOR INFO./COMMENTS	16/11/18	FSS	MRH	MRH
B	FOR INFO./COMMENTS	24/08/18	FSS	MRH	MRH
A	FOR INFO./COMMENTS	07/08/17	JCR	MRH	MRH

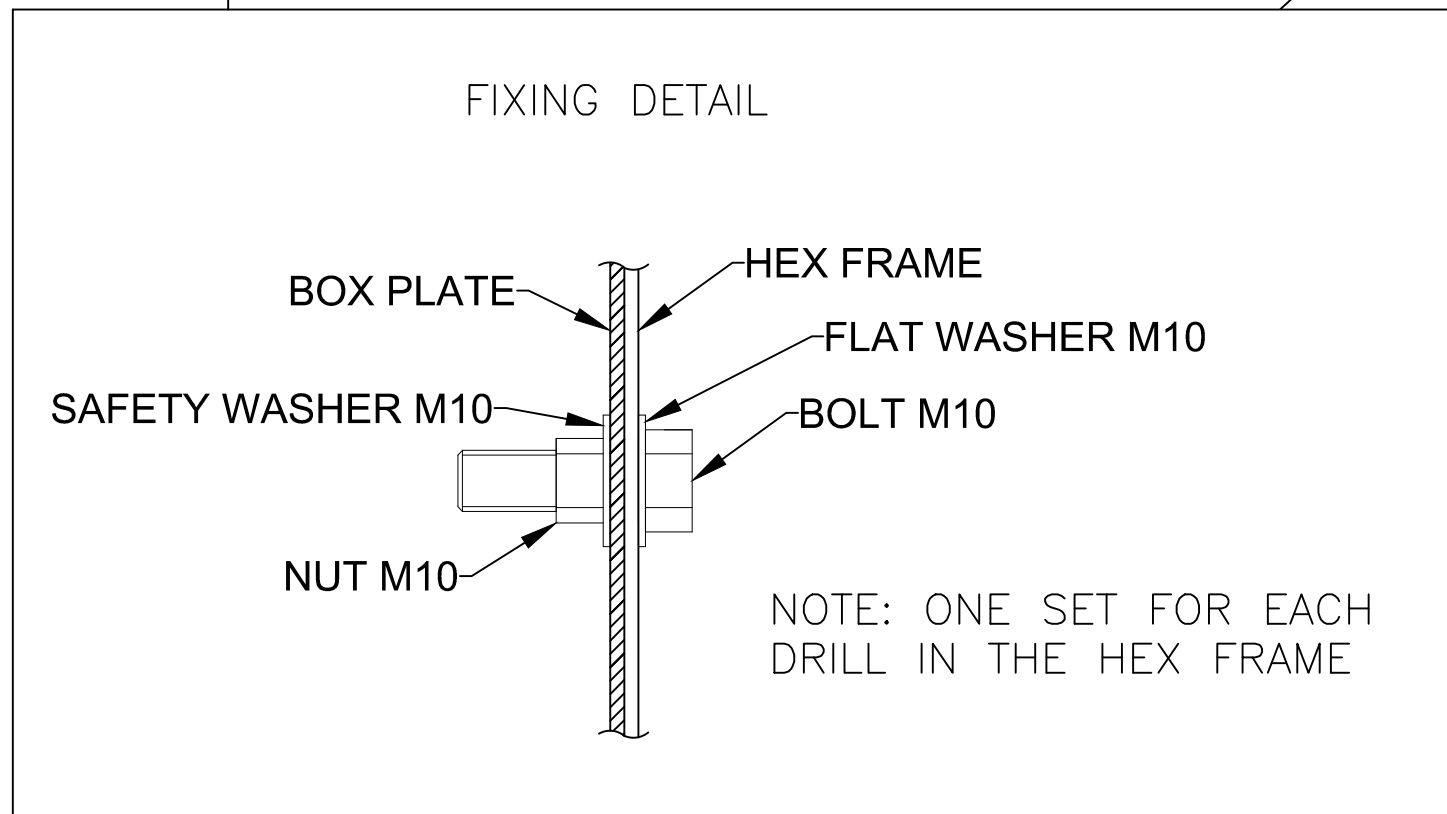
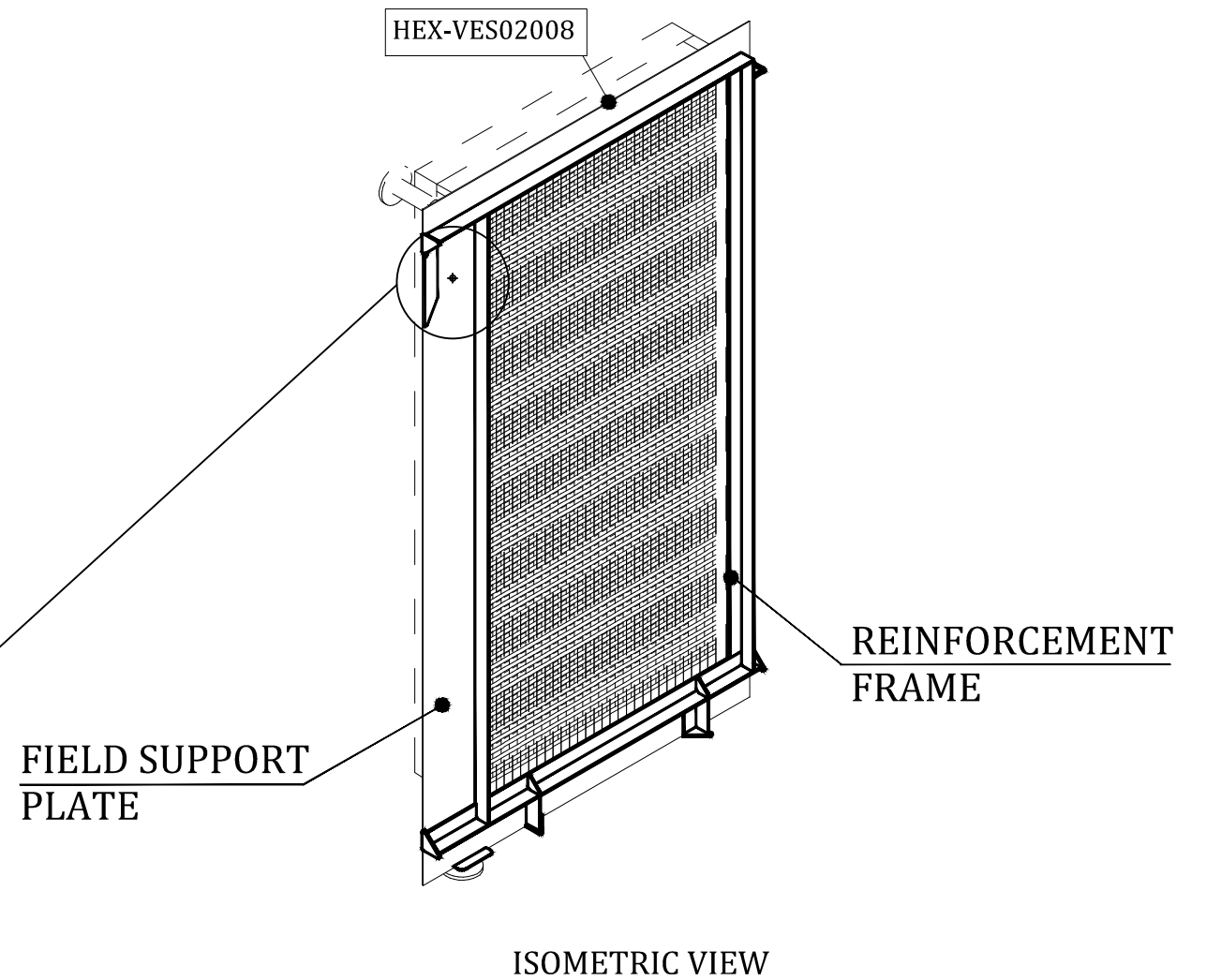
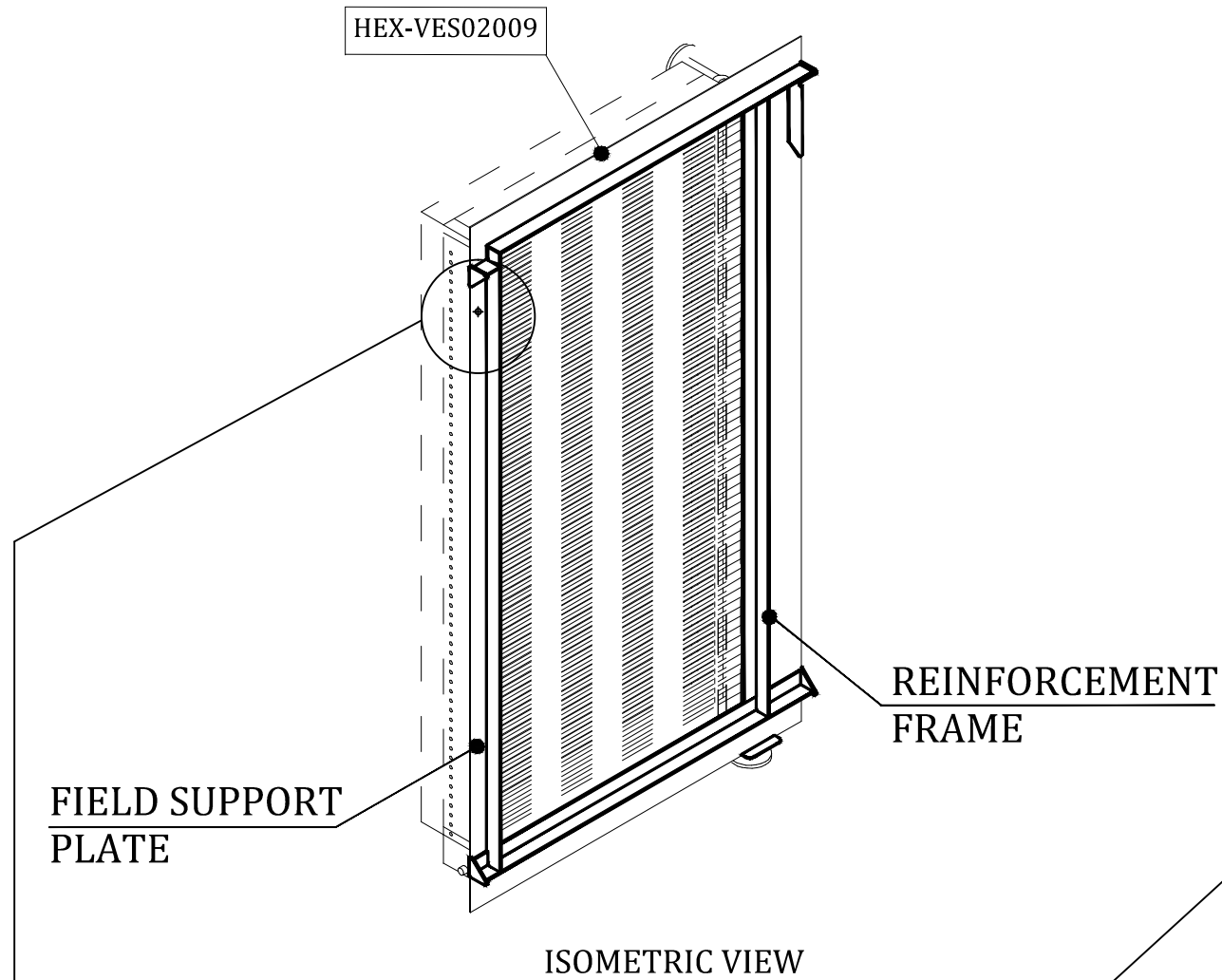
PROJECT:  
**AVANTE 2200**

DESCRIPTION:  
**SEA WATER COILS**

DRAWING NUMBER:  
**P-M05462-015**

SCALE: NTS      FORMAT: A3      SHEET: 01/07





E	UPDATED	02/08/19	ATR	MRH	MRH
D	UPDATED	29/07/19	ATR	MRH	MRH
C	FOR INFO./COMMENTS	16/11/18	FSS	MRH	MRH
B	FOR INFO./COMMENTS	24/08/18	FSS	MRH	MRH
A	FOR INFO./COMMENTS	07/08/17	JCR	MRH	MRH
REV.	DESCRIPTION	DATE	DRAWN	VERIFIED	APPROVED

PROJECT:	AVANTE 2200				
DESCRIPTION:	SEA WATER COILS				
DRAWING NUMBER:	P-M05462-015				
SCALE:	NTS	FORMAT:	A3	SHEET:	07/07

