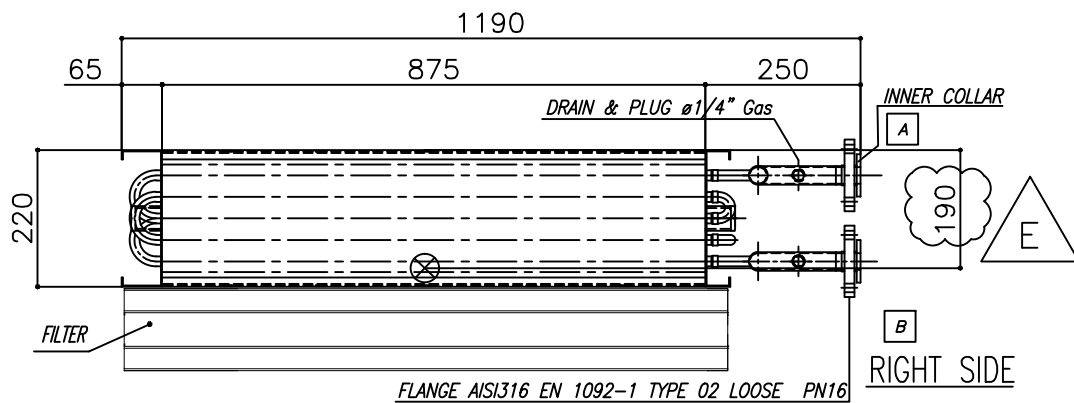
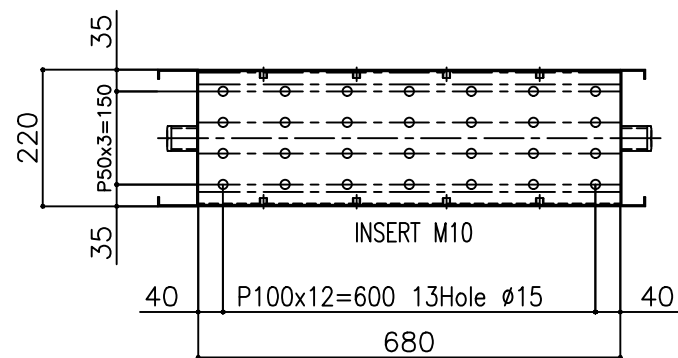


VIEW WITHOUT FILTER TO CLARIFY



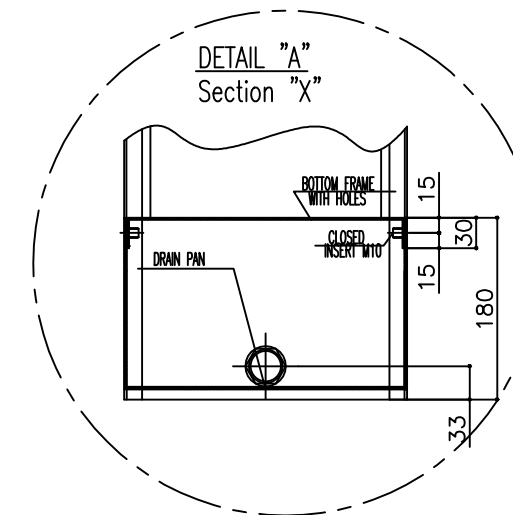
M-M VIEW



Section "Y-Y" WITHOUT FILTER TO CLARIFY

COILS DESCRIPTION

EXCHANGERS TYPE	P40-16 AR 5R 15T 875A CuNi-Cu 2.5Pa NC.4
AIR DIRECTION	HORIZONTAL
TUBES	CuNi90/10 - N°74 ø16x0.7
FIN	Cu - Thk. 0,10
FRAME	Aisi316 - Thk. 20/10
HEADERS & BRANCH	CuNi90/10 ø1" - FLANGE AISI316 EN 1092-1 TYPE 02 LOOSE PN16
WEIGHT	~80 Kg
PED TESTING	PED2014/68/EU - Art. 4.3



TAG	SERVICE	CLASSIFICATION
HEX-VES01001	AUXILIARY MACHINERY ROOM	W

CONNECTION SIDE
RIGHT CONNECTION

E	UPDATED	02/08/19	ATR	MRH	MRH
D	UPDATED	29/07/19	ATR	MRH	MRH
C	FOR INFO./COMMENTS	16/11/18	FSS	MRH	MRH
B	FOR INFO./COMMENTS	24/08/18	FSS	MRH	MRH
A	FOR INFO./COMMENTS	07/08/17	JCR	MRH	MRH
REV.	DESCRIPTION	DATE	DRAWN	VERIFIED	APPROVED

PROJECT:	AVANTE 2200				
DESCRIPTION:	SEA WATER COILS				
DRAWING NUMBER:	P-M05462-015				
SCALE:	NTS	FORMAT:	A3	SHEET:	03/07

