
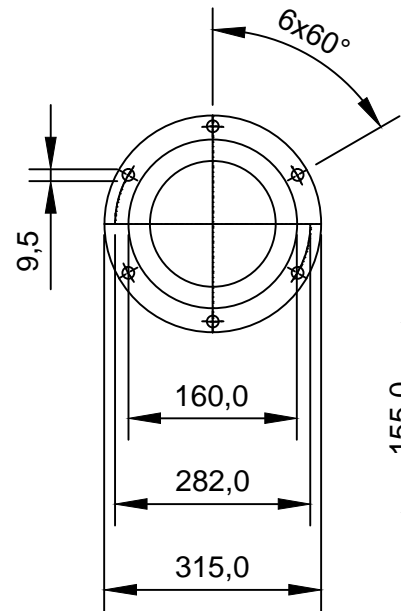
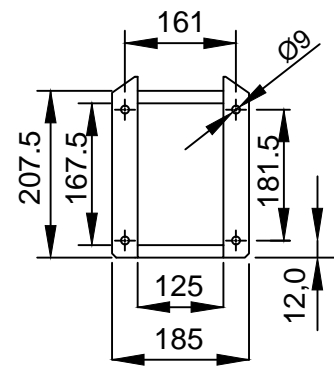
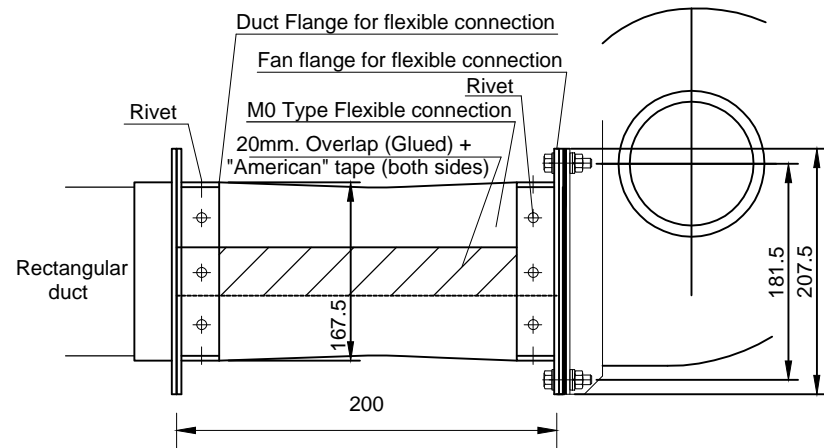


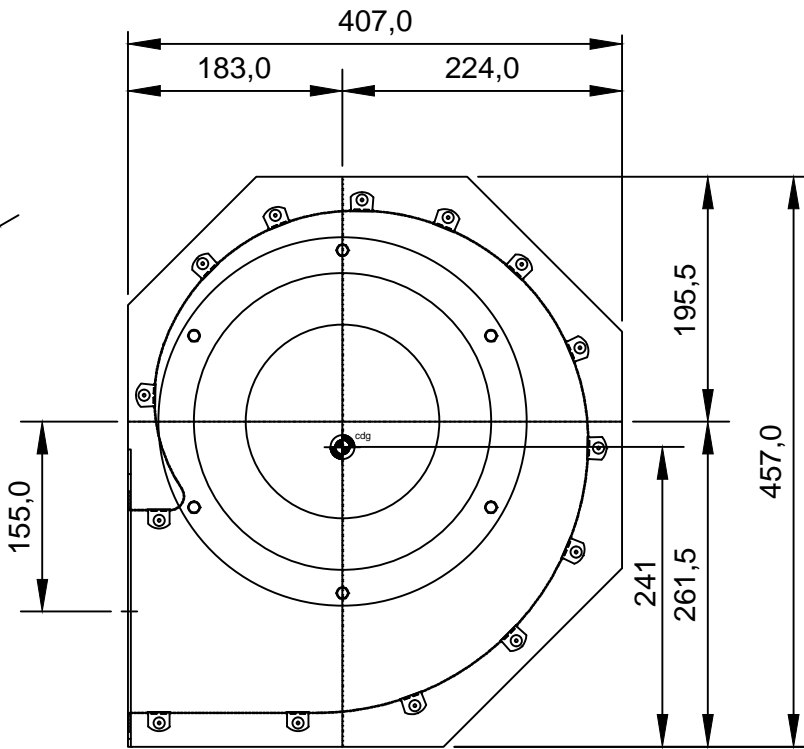
WEIGHT: 14 Kg  
 CENTER OF GRAVITY



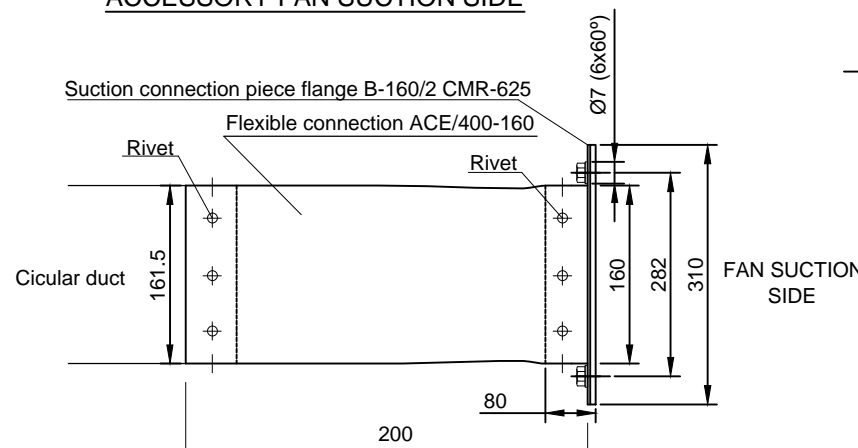
ACCESSORY FAN DISCHARGE SIDE



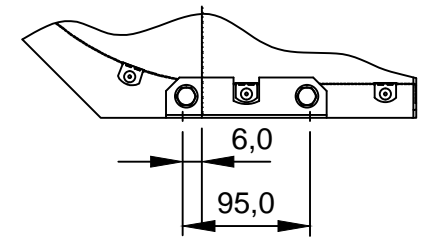
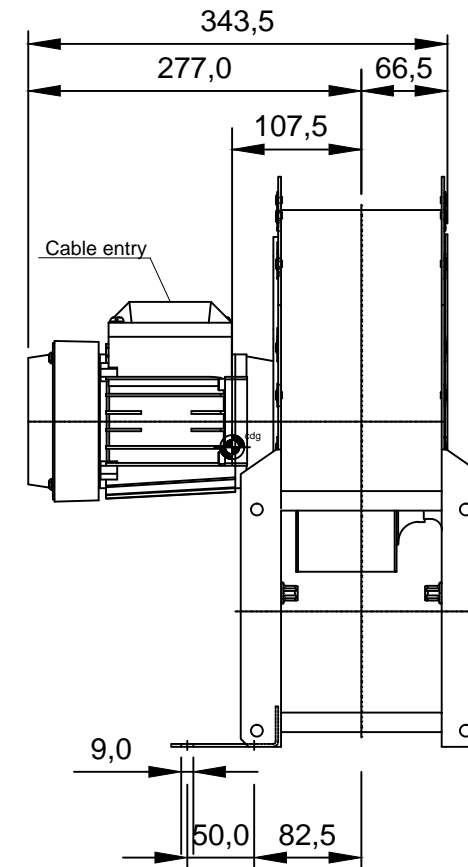
FLEXIBLE CONNECTION: RECTANGULAR - RECTANGULAR




ACCESSORY FAN SUCTION SIDE



FLEXIBLE CONNECTION: CIRCULAR - CIRCULAR



| TAG          | OPERATION | MODEL                                                 | SERVICE | ACCESSORY FAN DISCHARGE SIDE                                   | ACCESSORY FAN SUCTION SIDE                                                                                                            |
|--------------|-----------|-------------------------------------------------------|---------|----------------------------------------------------------------|---------------------------------------------------------------------------------------------------------------------------------------|
| FAN-VEN01023 | SUPPLY    | CMR-625-2T<br>SPARK RESISTANT<br>(Orientation LG 270) |         | Flexible connection 200 mm<br>Model: discharge CMR-625-2T      | Flexible connection 200 mm<br>Model: ACE/400-160 +<br>B-160/2 CMR-625                                                                 |
| FAN-VEN01025 | SUPPLY    | CMR-625-2T<br>SPARK RESISTANT<br>(Orientation LG 270) |         | Flexible connection 200 mm<br>Model: discharge CMR-625-2T      | Flexible connection 200 mm<br>Model: ACE/400-160 +<br>B-160/2 CMR-625                                                                 |
| FAN-VEN02004 | SUPPLY    | CMR-625-2T<br>(Orientation LG 270)                    |         | Flexible connection 200 mm<br>Model: discharge CMR-625-2T      | Flexible connection 200 mm<br>Model: ACE/400-160 +<br>B-160/2 CMR-625                                                                 |
| FAN-VES01002 | SUPPLY    | CMR-625-2T<br>(Orientation LG 270)                    |         | Free discharge<br>Grille model: CMR-625-2T                     | Flexible connection 200 mm<br>Model: ACE/400-160 +<br>B-160/2 CMR-625                                                                 |
| FAN-VES01019 | EXHAUST   | CMR-625-2T<br>(Orientation LG 270)                    |         | Flexible duct connection<br>Model: ACE/400 DN125 (L=200<br>mm) | Free suction<br>Grille model:<br>RPA-CMR-625-2T  |
| FAN-VEN01034 | EXHAUST   | CMR-625-2T<br>(Orientation LG 270)                    |         | Flexible connection 200 mm<br>Model: discharge CMR-625-2T      | Flexible connection 200 mm<br>Model: ACE/400-160 +<br>B-160/2 CMR-625                                                                 |
| FAN-VEN01035 | EXHAUST   | CMR-625-2T<br>(Orientation LG 270)                    |         | Flexible connection 200 mm<br>Model: discharge CMR-625-2T      | Flexible connection 200 mm<br>Model: ACE/400-160 +<br>B-160/2 CMR-625                                                                 |

| REV. | DESCRIPTION        | DATE     | DRAWN | VERIFIED | APPROVED |
|------|--------------------|----------|-------|----------|----------|
| D    | Updated            | 24/08/20 | ATR   | AMF      | MRH      |
| C    | Updated            | 08/05/20 | JCR   | AMF      | MRH      |
| B    | FOR INFO./COMMENTS | 25/10/19 | JCR   | AMF      | MRH      |
| A    | FOR INFO./COMMENTS | 30/08/19 | JCR   | AMF      | MRH      |

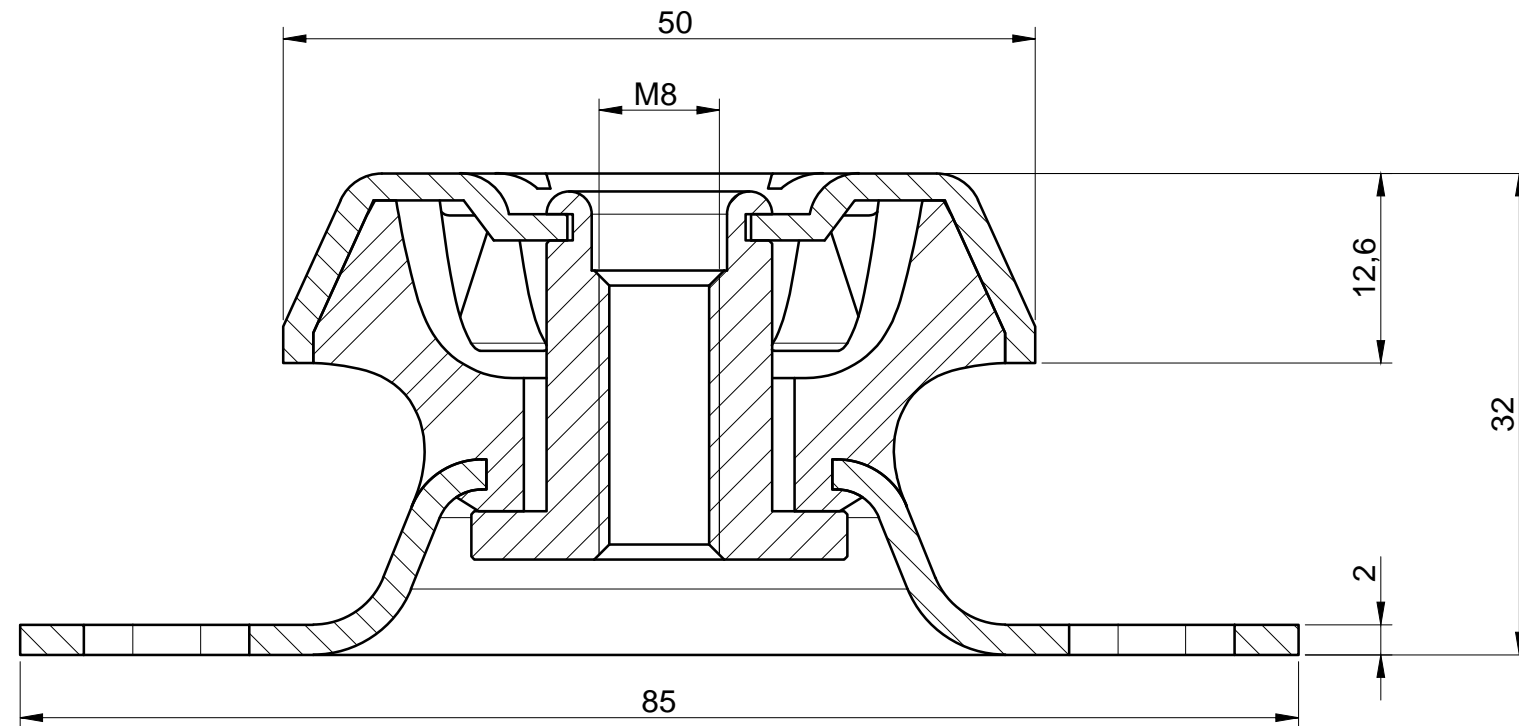
|                 |                                             |         |    |        |       |
|-----------------|---------------------------------------------|---------|----|--------|-------|
| PROJECT:        | <b>AVANTE 2200</b>                          |         |    |        |       |
| DESCRIPTION:    | <b>CENTRIFUGAL FANS</b><br>MODEL CMR-625-2T |         |    |        |       |
| DRAWING NUMBER: | <b>P-M05462-023</b>                         |         |    |        |       |
| SCALE:          | NTS                                         | FORMAT: | A3 | SHEET: | 04/11 |



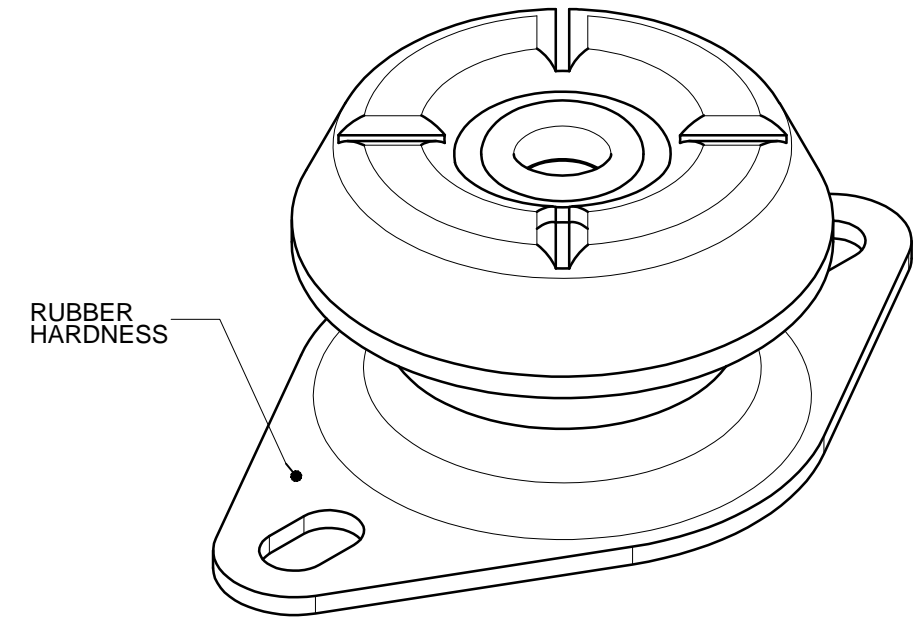
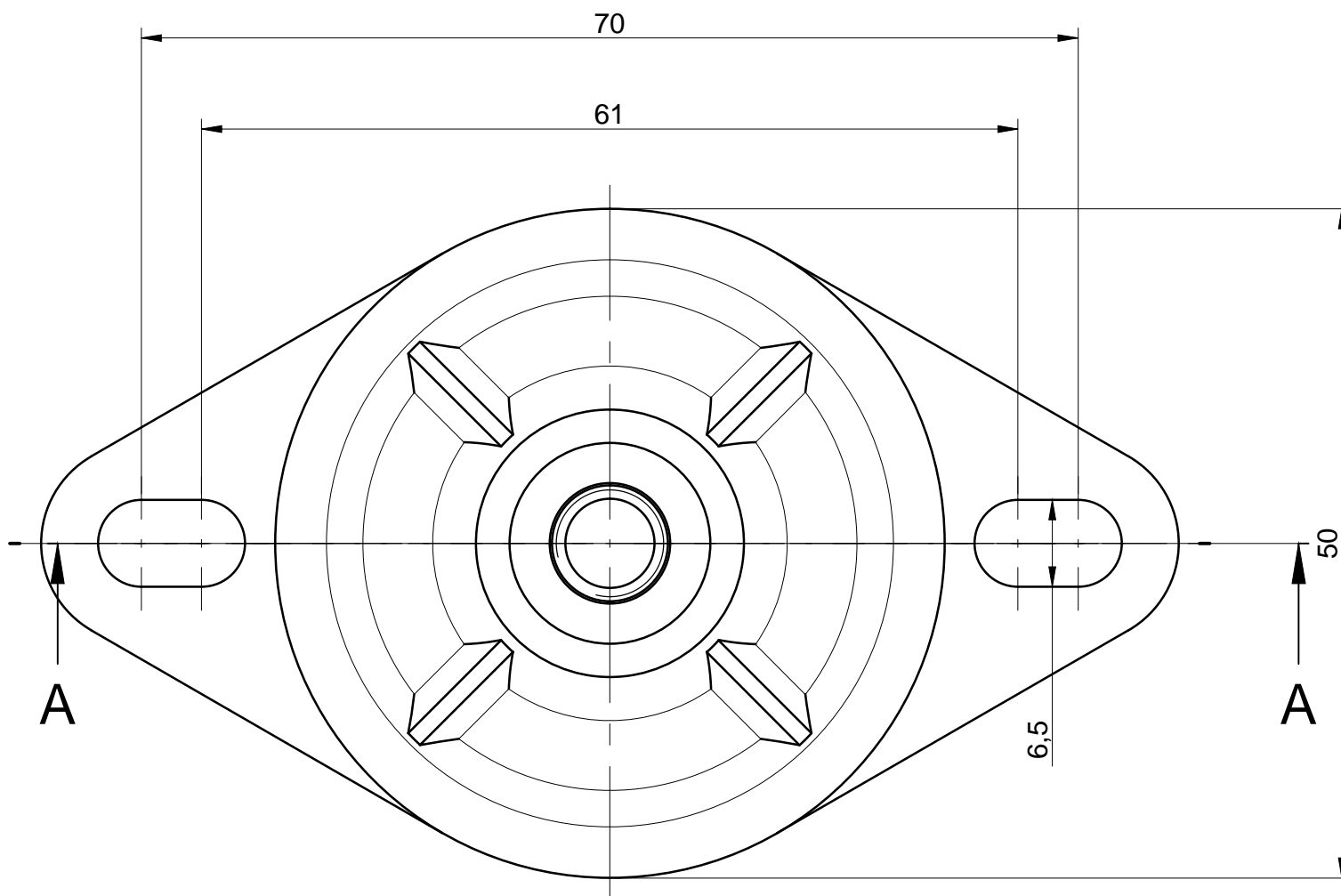
| BRB 45 SUPPORTS |             |          |                |
|-----------------|-------------|----------|----------------|
| CODE            | RUBBER TYPE | HARDNESS | MAX. LOAD (Kg) |
| 135137          | NR          | 40Sh     | 12             |
| 135138          | NR          | 50Sh     | 18             |
| 135139          | NR          | 60Sh     | 25             |

| GENERAL TOLERANCES TABLE FOR METAL PARTS | LARGER THAN (mm) | 0,5  | 3    | 6    | 30   | 120  | 400  | 1000 |
|------------------------------------------|------------------|------|------|------|------|------|------|------|
|                                          | UP TO (mm)       | 3    | 6    | 30   | 120  | 400  | 1000 | 2000 |
|                                          | TOL. (mm)        | ±0,2 | ±0,3 | ±0,5 | ±0,8 | ±1,2 | ±2   | ±3   |

TOLERANCES FOR RUBBER AFFECTED DIMENSIONS: ISO 3302 M3



SECTION A-A




ANTIVIBRATION SUPPORT ASSOCIATED TO FANS:

| FANS         | MARINE SUPPORT CODE |
|--------------|---------------------|
| FAN-VEN01001 | 135139              |
| FAN-VEN01010 | 135139              |
| FAN-VEN01012 | 135138              |
| FAN-VEN02016 | 135138              |
| FAN-VEN02029 | 135138              |
| FAN-VEN01023 | 135138              |
| FAN-VEN01025 | 135138              |
| FAN-VEN02004 | 135138              |
| FAN-VES01002 | 135138              |
| FAN-VES01019 | 135138              |

| FANS         | MARINE SUPPORT CODE |
|--------------|---------------------|
| FAN-VEN01014 | 135139              |
| FAN-VEN01026 | 135139              |
| FAN-VEN02017 | 135139              |
| FAN-VEN01024 | 135139              |
| FAN-VEN02030 | 135139              |
| FAN-VEN02031 | 135139              |
| FAN-VEN01013 | 135139              |
| FAN-VEN01032 | 135139              |
| FAN-VEN01034 | 135138              |
| FAN-VEN01035 | 135138              |
| FAN-VES02020 | 135139              |

| REV. | DESCRIPTION        | DATE     | DRAWN | VERIFIED | APPROVED |
|------|--------------------|----------|-------|----------|----------|
| D    | Updated            | 05/08/20 | ATR   | AMF      | MRH      |
| C    | Updated            | 08/05/20 | JCR   | AMF      | MRH      |
| B    | FOR INFO./COMMENTS | 25/10/19 | JCR   | AMF      | MRH      |
| A    | FOR INFO./COMMENTS | 30/08/19 | JCR   | AMF      | MRH      |

|                                                             |         |                                                                                       |  |  |  |
|-------------------------------------------------------------|---------|---------------------------------------------------------------------------------------|--|--|--|
| PROJECT:                                                    |         |  |  |  |  |
| AVANTE 2200                                                 |         |                                                                                       |  |  |  |
| DESCRIPTION:                                                |         | DRAWING NUMBER:                                                                       |  |  |  |
| CENTRIFUGAL FANS<br>ANTIVIBRATION MARINE SUPPORTS<br>BRB 45 |         | P-M05462-023                                                                          |  |  |  |
| SCALE:                                                      | FORMAT: | SHEET:                                                                                |  |  |  |
| NTS                                                         | A3      | 10/11                                                                                 |  |  |  |