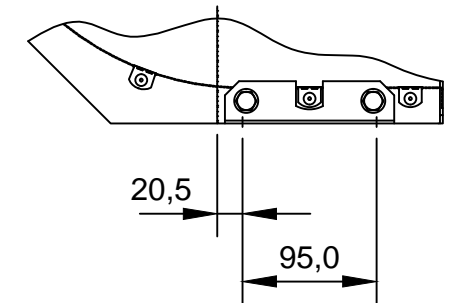
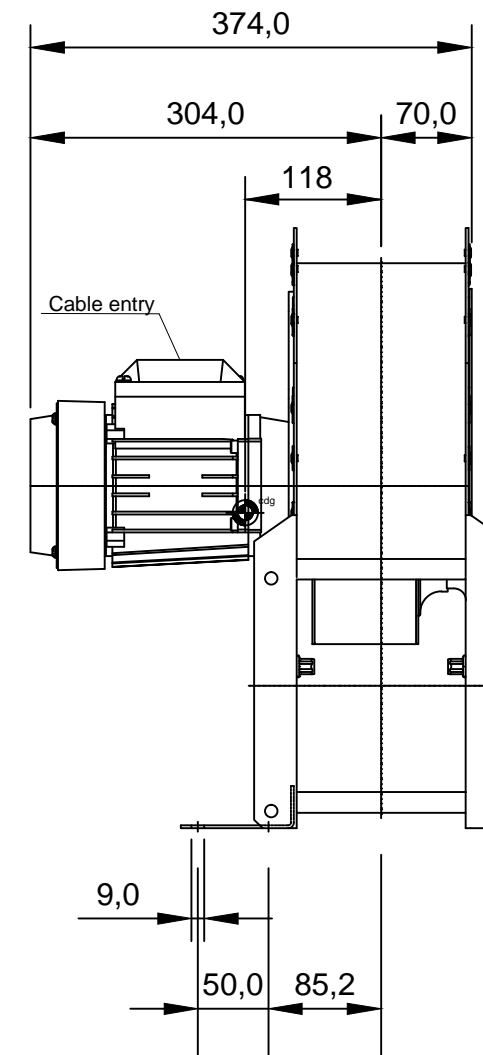
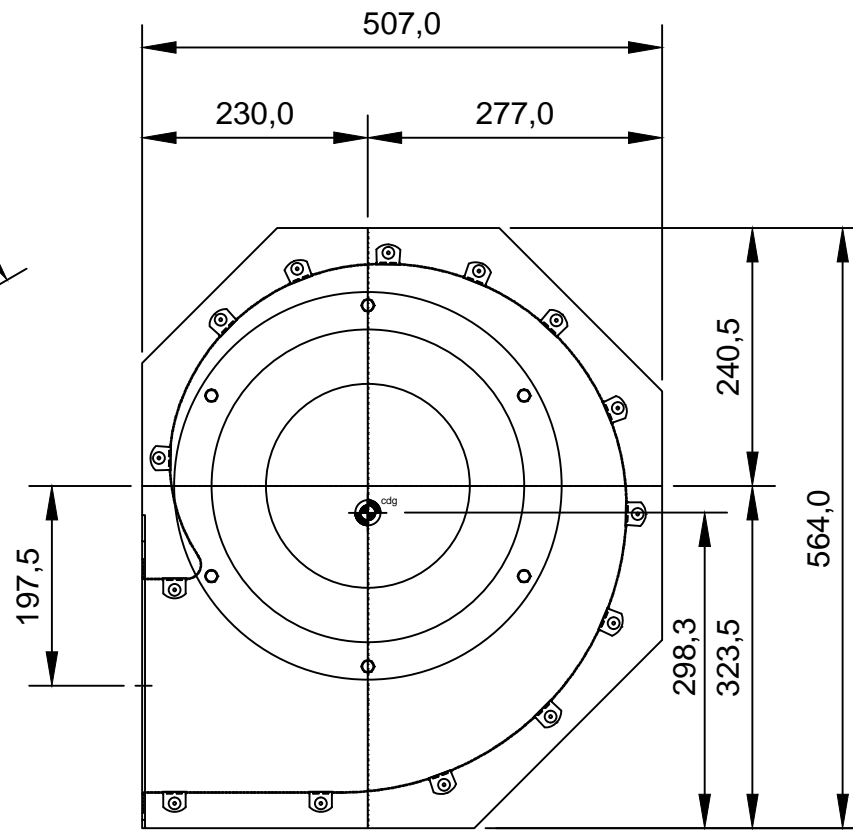
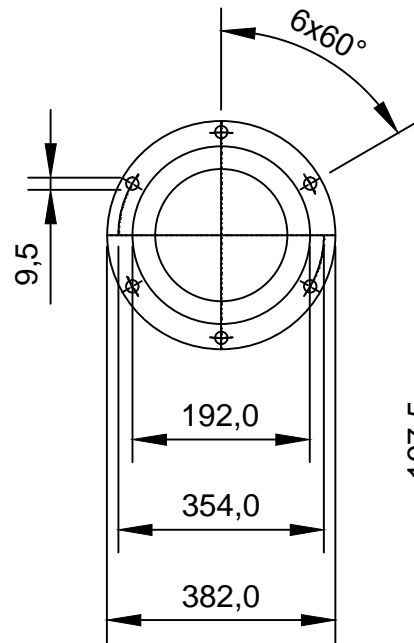
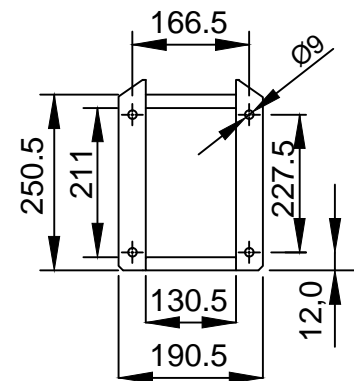
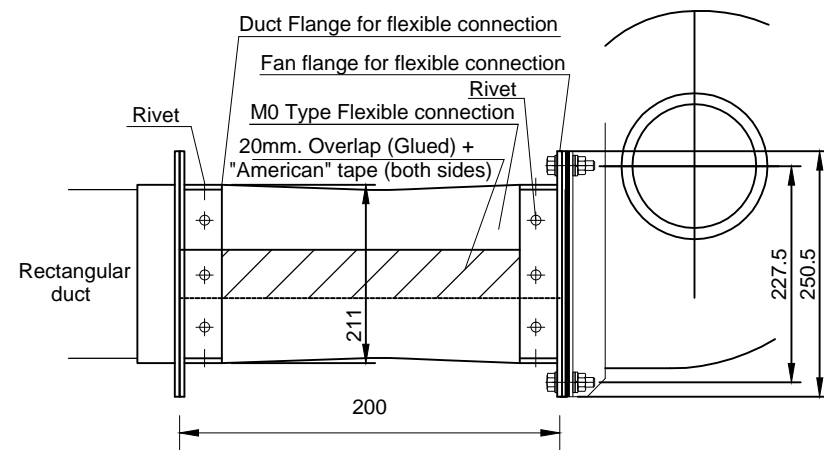


WEIGHT: 23 Kg  
 ○ CENTER OF GRAVITY

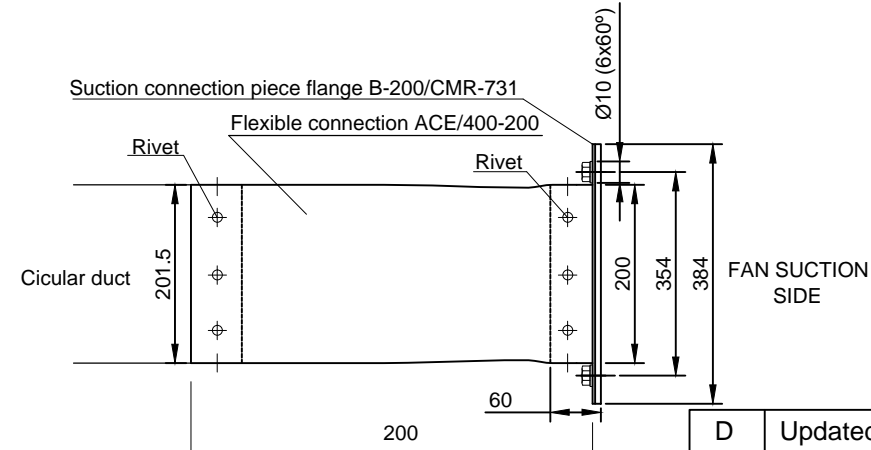


**ACCESSORY FAN DISCHARGE SIDE**




FLEXIBLE CONNECTION: RECTANGULAR - RECTANGULAR



**ACCESSORY FAN SUCTION SIDE**



FLEXIBLE CONNECTION: CIRCULAR - CIRCULAR

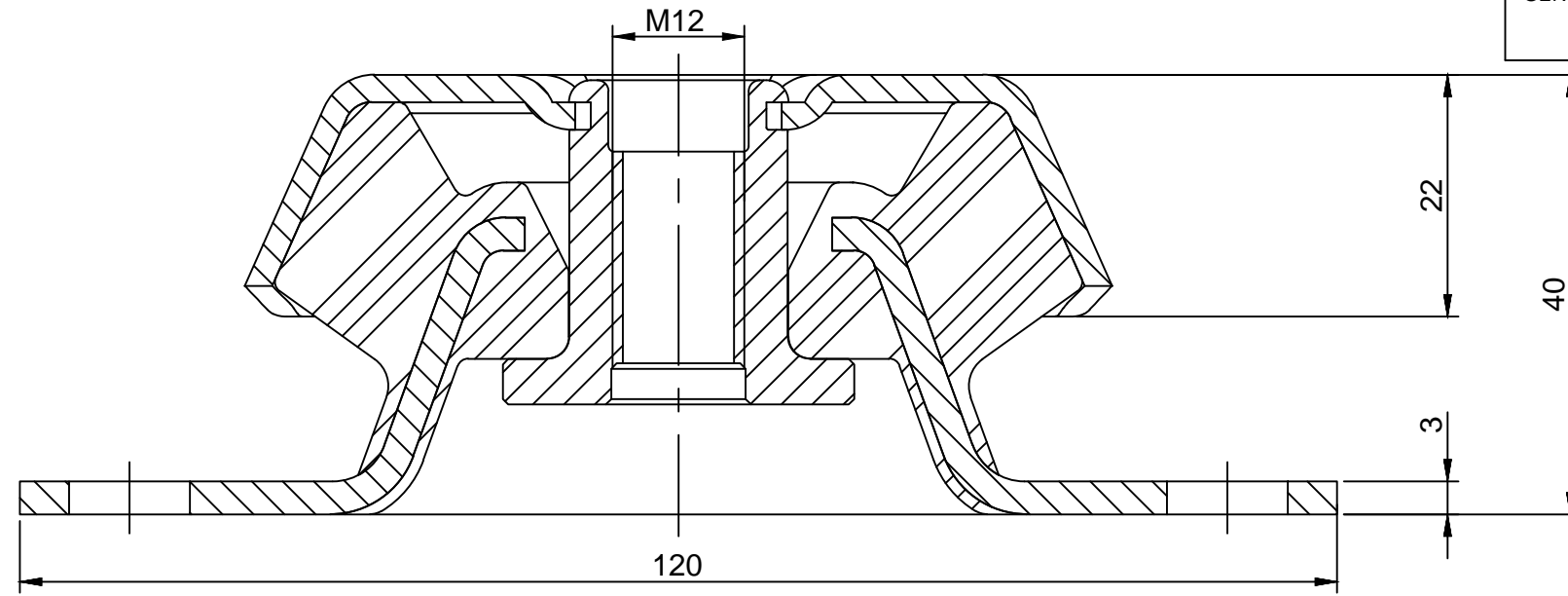
D	Updated	24/08/20	ATR	AMF	MRH
C	Updated	08/05/20	JCR	AMF	MRH
B	FOR INFO./COMMENTS	25/10/19	JCR	AMF	MRH
A	FOR INFO./COMMENTS	30/08/19	JCR	AMF	MRH
REV.	DESCRIPTION	DATE	DRAWN	VERIFIED	APPROVED

PROJECT:					
AVANTE 2200					
DESCRIPTION:		DRAWING NUMBER:			
CENTRIFUGAL FANS		P-M05462-023			
MODEL CMR-731-2T		SCALE:	FORMAT:	SHEET:	
		NTS	A3	02/11	

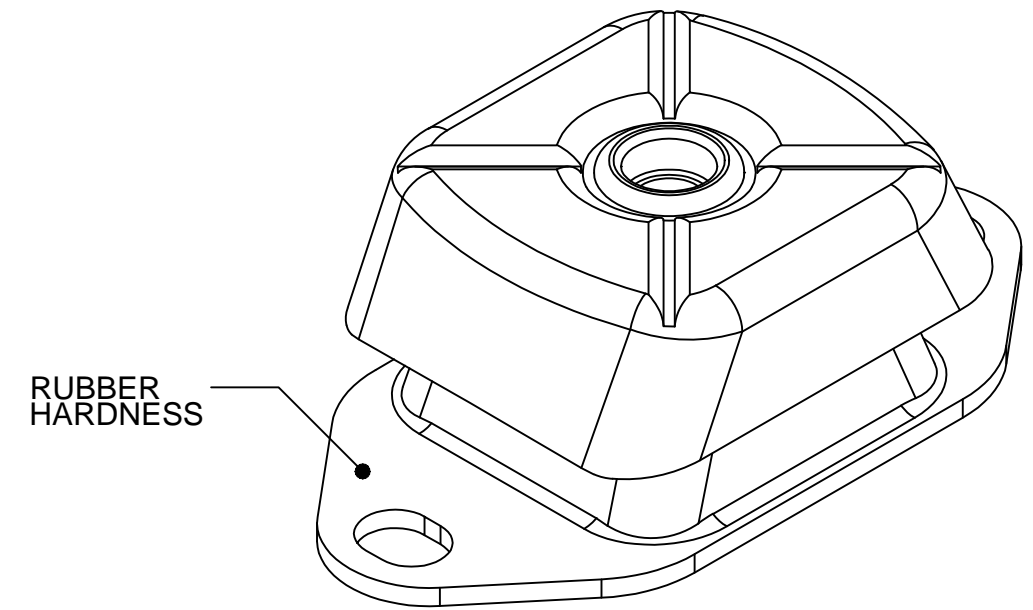
TAG	OPERATION	MODEL	SERVICE	ACCESSORY FAN DISCHARGE SIDE	ACCESSORY FAN SUCTION SIDE
FAN-VEN01008	SUPPLY	CMR-731-2T (Orientation LG 270)		Flexible connection 200 mm Model: discharge CMR-731-2T	Flexible connection 200 mm Model: ACE/400-200 + B-200/CMR-731
FAN-VEN01011	EXHAUST	CMR-731-2T (Orientation LG 270)		Flexible connection 200 mm Model: discharge CMR-731-2T	Flexible connection 200 mm Model: ACE/400-200 + B-200/CMR-731

GENERAL TOLERANCES TABLE FOR METAL PARTS	LARGER THAN (mm)	0,5	3	6	30	120	400	1000
	UP TO (mm)	3	6	30	120	400	1000	2000
	TOL. (mm)	±0,2	±0,3	±0,5	±0,8	±1,2	±2	±3

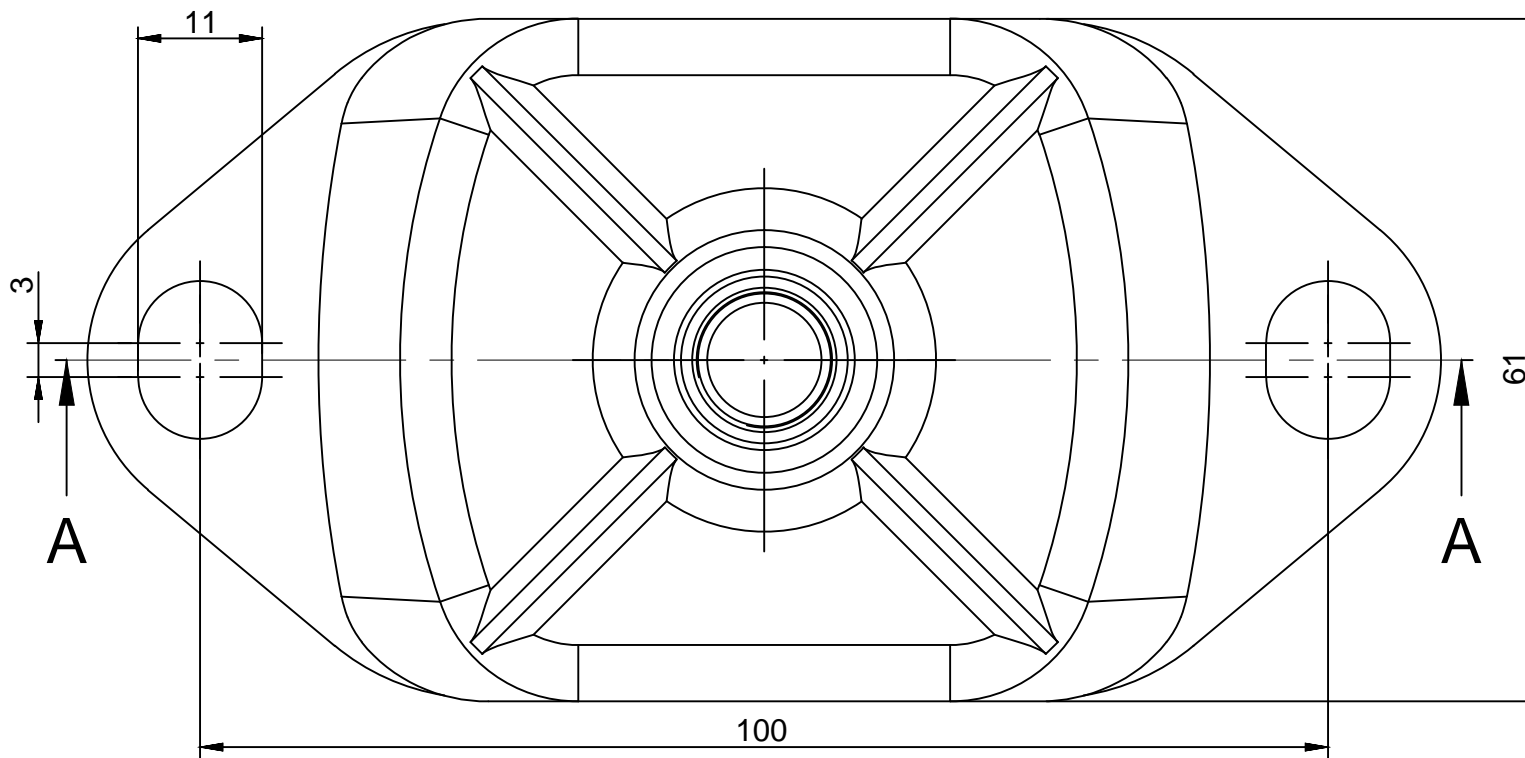
TOLERANCES FOR RUBBER AFFECTED DIMENSIONS: ISO 3302 M3



**SECTION A-A**



MARINE SUPPORTS SMALL			
CODE	RUBBER TYPE	HARDNESS	MAX. LOAD (Kg)
136001	NR	40Sh	35
136002	NR	45Sh	45
136003	NR	55Sh	70
136004	NR	65Sh	95
136005	NR	75Sh	110



NOTE 1:

NON-AXISYMMETRIC RADIAL STIFFNESS

$K_x \gg K_y$

NOTE 2:

MAKE SURE THAT THE TOP HOOD DOES NOT ROTATE DURING TIGHTENING OF THE CENTRAL SCREW

MAX. TIGHTENING TORQUE: 55Nm


REV.	DESCRIPTION	DATE	DRAWN	VERIFIED	APPROVED
D	Updated	05/08/20	ATR	AMF	MRH
C	Updated	08/05/20	JCR	AMF	MRH
B	FOR INFO./COMMENTS	25/10/19	JCR	AMF	MRH
A	FOR INFO./COMMENTS	30/08/19	JCR	AMF	MRH

ANTIVIBRATION SUPPORT ASSOCIATED TO FANS:

FANS	MARINE SUPPORT CODE
FAN-VEN01008	136001
FAN-VEN01011	136001
FAN-VEN01002	136003
FAN-VEN01003	136003
FAN-VEN01009	136003
FAN-VEN01015	136003

FANS	MARINE SUPPORT CODE
FAN-VEN01028	136003
FAN-VEN02005	136003
FAN-VEN02006	136003
FAN-VEN02018	136003
FAN-VEN02019	136003

PROJECT: AVANTE 2200



DESCRIPTION: CENTRIFUGAL FANS  
ANTIVIBRATION MARINE SUPPORTS SMALL

DRAWING NUMBER: P-M05462-023

SCALE: NTS      FORMAT: A3      SHEET: 11/11