
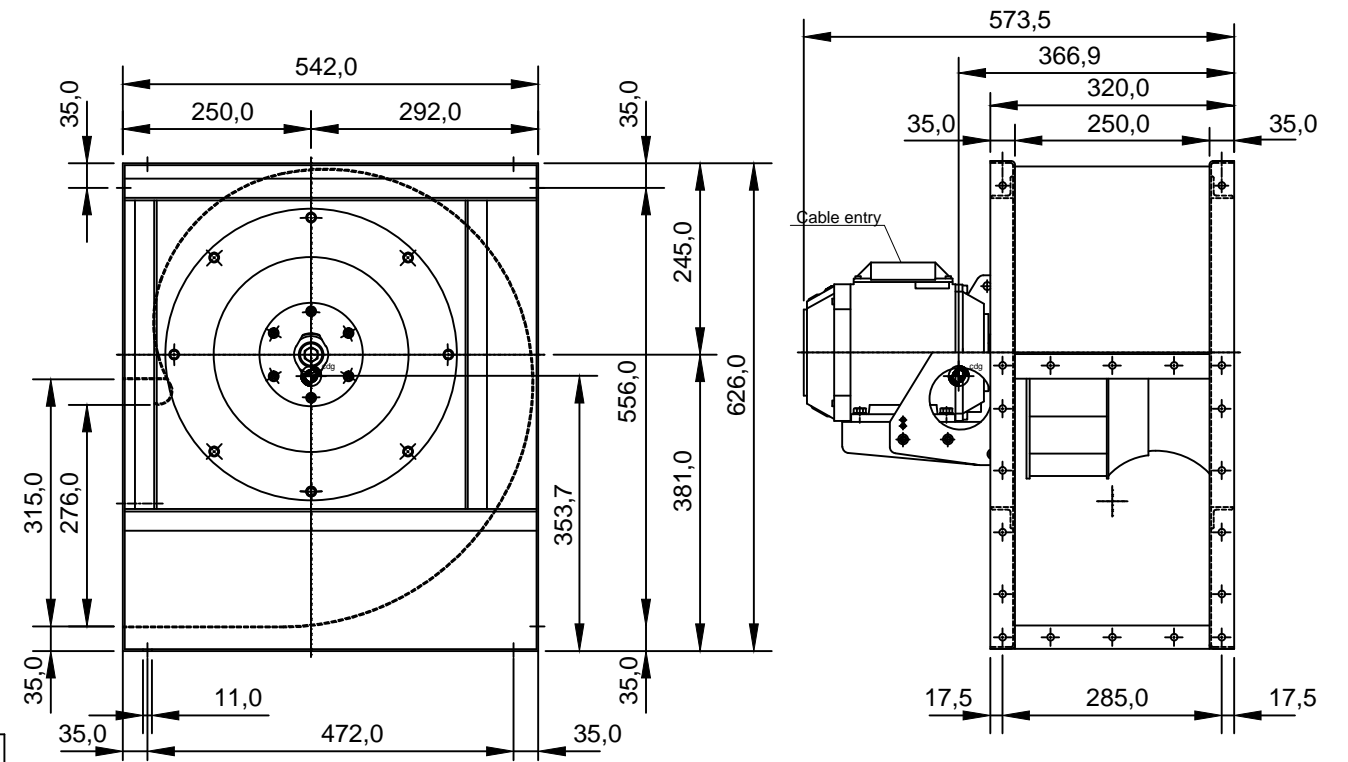
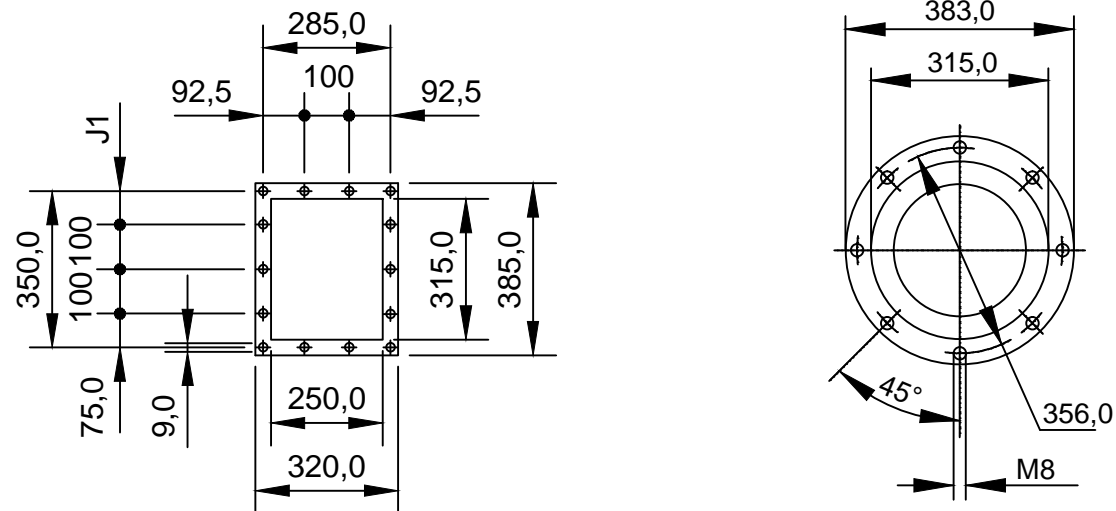



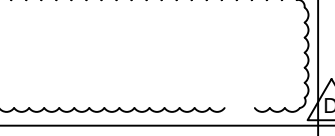

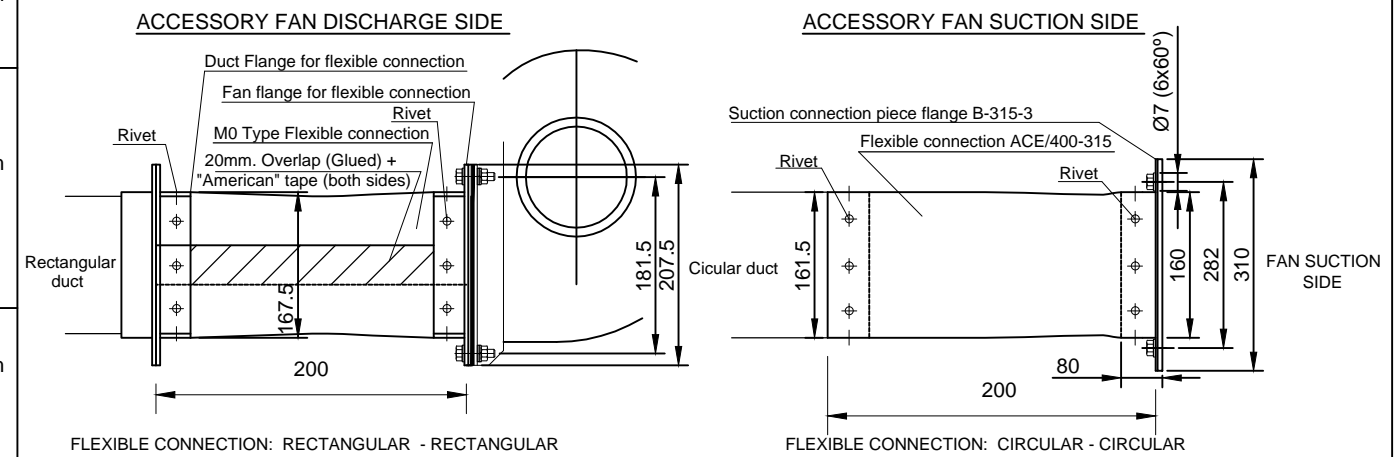


WEIGHT: 45 Kg
 CENTER OF GRAVITY



TAG	OPERATION	MODEL	SERVICE	ACCESSORY FAN DISCHARGE SIDE	ACCESSORY FAN SUCTION SIDE
FAN-VEN01002	SUPPLY	CMR-1031-2T (Orientation LG 270)		Flexible connection Model: ACE/400 DN160 (L=200 mm)	Flexible connection 300 mm Model: ACE/400-315 + B-315/3
FAN-VEN01003	SUPPLY	CMR-1031-2T (Orientation LG 270)		Flexible connection 200 mm Model: discharge CMR-1031-2T	Flexible connection 300 mm Model: ACE/400-315 + B-315/3
FAN-VEN01009	EXHAUST	CMR-1031-2T (Orientation LG 270)		Flexible connection 200 mm Model: discharge CMR-1031-2T	Flexible connection 300 mm Model: ACE/400-315 + B-315/3
FAN-VEN01015	EXHAUST	CMR-1031-2T (Orientation LG 270)		Flexible connection 200 mm Model: discharge CMR-1031-2T	Flexible connection 300 mm Model: ACE/400-315 + B-315/3
FAN-VEN01028	EXHAUST	CMR-1031-2T (Orientation LG 270)		Flexible connection 200 mm Model: discharge CMR-1031-2T	Flexible connection 300 mm Model: ACE/400-315 + B-315/3
FAN-VEN02005	SUPPLY	CMR-1031-2T (Orientation LG 270)		Flexible duct connection Model: ACE/400 DN200 (L=200 mm) Model: ACE/400 DN125 (L=200 mm) Model: ACE/400 DN100 (L=200 mm)	Flexible connection 300 mm Model: ACE/400-315 + B-315/3
FAN-VEN02006	EXHAUST	CMR-1031-2T (Orientation LG 270)		Flexible connection 200 mm Model: discharge CMR-1031-2T	Flexible connection 300 mm Model: ACE/400-315 + B-315/3
FAN-VEN02018	SUPPLY	CMR-1031-2T (Orientation LG 270)		Flexible connection 200 mm Model: discharge CMR-1031-2T	Flexible connection 300 mm Model: ACE/400-315 + B-315/3
FAN-VEN02019	EXHAUST	CMR-1031-2T (Orientation LG 270)		Flexible connection 200 mm Model: discharge CMR-1031-2T	Flexible connection 300 mm Model: ACE/400-315 + B-315/3




D	Updated	24/08/20	ATR	AMF	MRH
C	Updated	08/05/20	JCR	AMF	MRH
B	FOR INFO./COMMENTS	25/10/19	JCR	AMF	MRH
A	FOR INFO./COMMENTS	30/08/19	JCR	AMF	MRH
REV.	DESCRIPTION	DATE	DRAWN	VERIFIED	APPROVED

PROJECT:
AVANTE 2200

DESCRIPTION:
**CENTRIFUGAL FANS
 MODEL CMR-1031-2T**

DRAWING NUMBER:
P-M05462-023

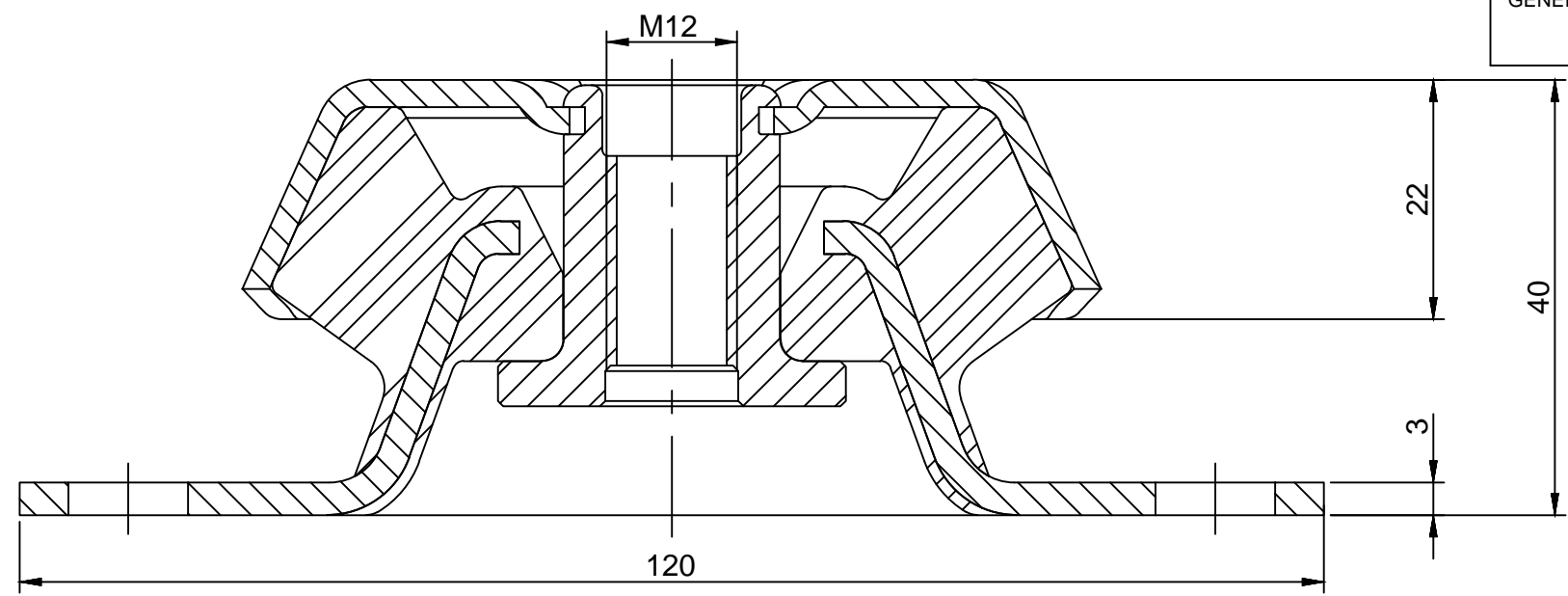
SCALE: **NTS** FORMAT: **A3** SHEET: **05/11**



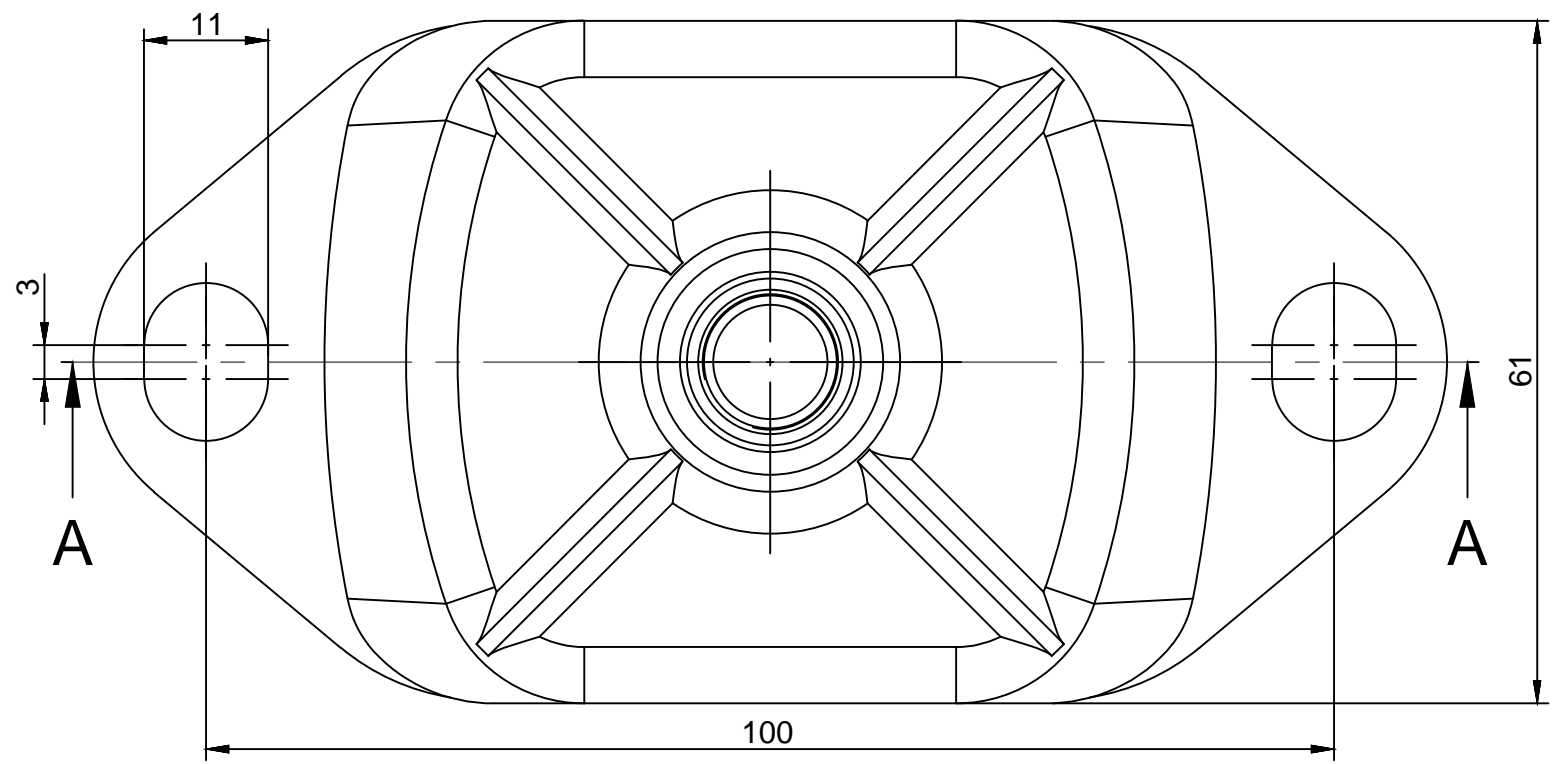
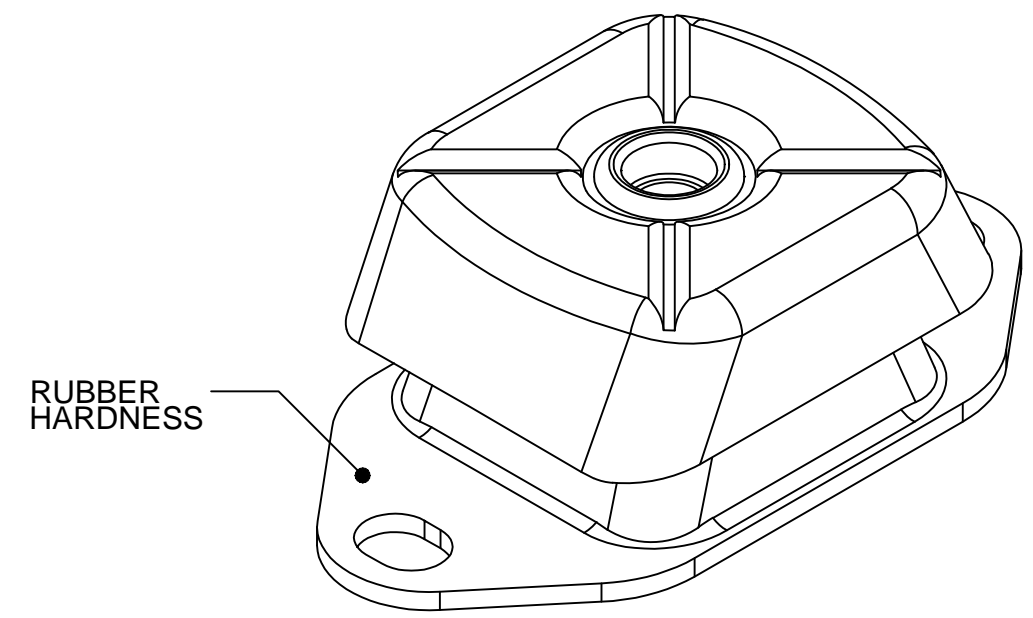
GENERAL TOLERANCES TABLE FOR METAL PARTS

LARGER THAN (mm)	0,5	3	6	30	120	400	1000
UP TO (mm)	3	6	30	120	400	1000	2000
TOL. (mm)	±0,2	±0,3	±0,5	±0,8	±1,2	±2	±3

TOLERANCES FOR RUBBER AFFECTED DIMENSIONS: ISO 3302 M3



SECTION A-A



MARINE SUPPORTS SMALL			
CODE	RUBBER TYPE	HARDNESS	MAX. LOAD (Kg)
136001	NR	40Sh	35
136002	NR	45Sh	45
136003	NR	55Sh	70
136004	NR	65Sh	95
136005	NR	75Sh	110

NOTE 1:

NON-AXISYMMETRIC RADIAL STIFFNESS

$K_x \gg K_y$

NOTE 2:

MAKE SURE THAT THE TOP HOOD DOES NOT ROTATE DURING TIGHTENING OF THE CENTRAL SCREW

MAX. TIGHTENING TORQUE: 55Nm


REV.	DESCRIPTION	DATE	DRAWN	VERIFIED	APPROVED
D	Updated	05/08/20	ATR	AMF	MRH
C	Updated	08/05/20	JCR	AMF	MRH
B	FOR INFO./COMMENTS	25/10/19	JCR	AMF	MRH
A	FOR INFO./COMMENTS	30/08/19	JCR	AMF	MRH

ANTIVIBRATION SUPPORT ASSOCIATED TO FANS:

FANS	MARINE SUPPORT CODE
FAN-VEN01008	136001
FAN-VEN01011	136001
FAN-VEN01002	136003
FAN-VEN01003	136003
FAN-VEN01009	136003
FAN-VEN01015	136003

FANS	MARINE SUPPORT CODE
FAN-VEN01028	136003
FAN-VEN02005	136003
FAN-VEN02006	136003
FAN-VEN02018	136003
FAN-VEN02019	136003

PROJECT: AVANTE 2200



DESCRIPTION: CENTRIFUGAL FANS
ANTIVIBRATION MARINE SUPPORTS SMALL

DRAWING NUMBER: P-M05462-023

SCALE: NTS FORMAT: A3 SHEET: 11/11