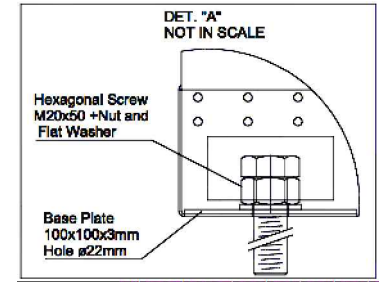
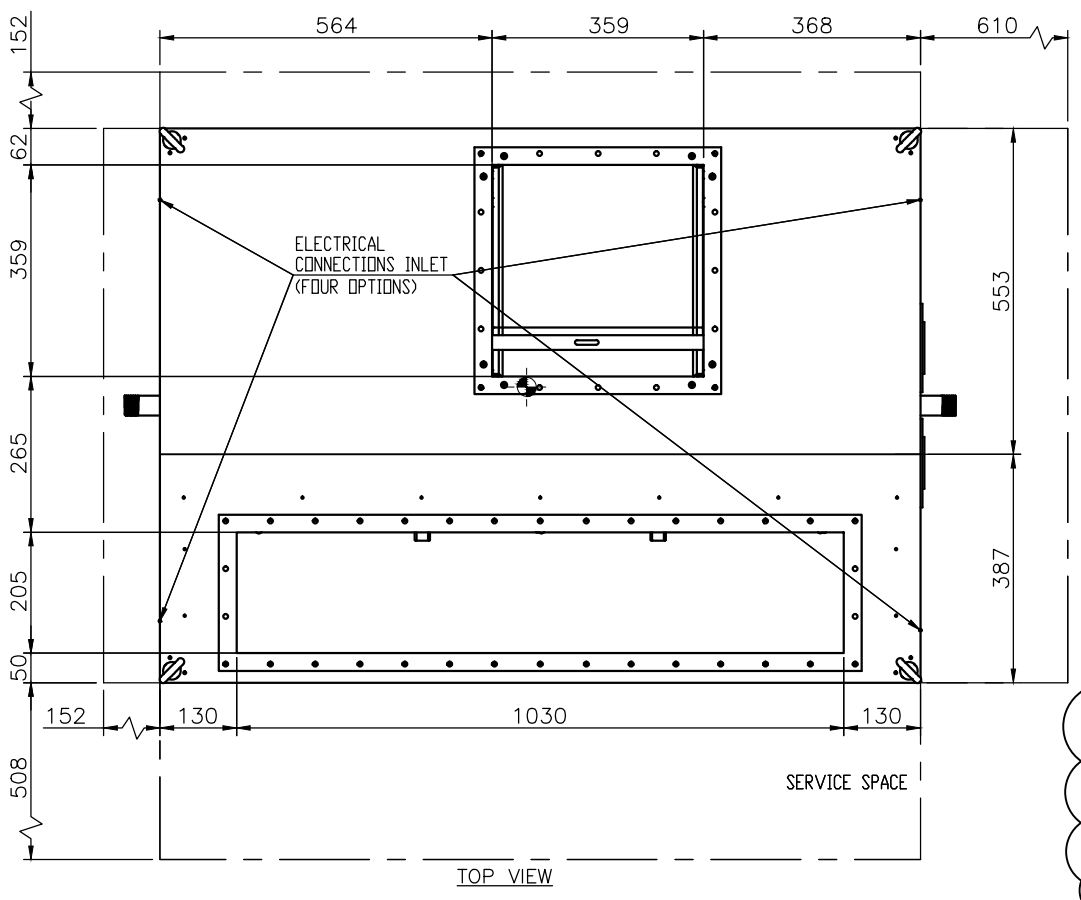


ID	DESCRIPTION	Q.TY
1	Filter G3 550x450x48	2
2	Electric Motor 3.7 kW	1
3	Centrifugal fan Cofefri THLZ 280 FF T1	1
4	Flexible connection to outlet fan	1
5	Antivibration AD3030	4
6	Cooling Coil Outlet flange DN40 EN1092-1 Type 13B/PN16	1
7	Cooling Coil Inlet flange DN40 EN1092-1 Type 13B/PN16	1



NOTES:
 WEIGHT 437KGs.
 ● CENTER OF GRAVITY
 EMC TYPE METALIC GLANDS WILL BE INSTALLED IN ELECTRICAL CONECTION INLET ACCORDING SHIPYARD RECIEVED INFORMATION REGARDING FIELD CABLES

REV.	DESCRIPTION	DATE	DRAWN	VERIFIED	APPROVED
E	UPDATE	29/07/19	A.T.R.	J.M.C.	M.R.H.
D	UPDATE	04/03/19	G.A.R.	J.M.C.	M.R.H.
C	UPDATE	07/12/18	G.A.R.	J.M.C.	M.R.H.
B	UPDATE	10/08/18	M.A.G.	J.M.C.	M.R.H.
A	UPDATE	08/08/17	M.A.G.	M.R.H.	M.R.H.
O	FOR INFO./APPROVAL AND COMMENTS	03/03/17	F.S.G.	A.M.F.	M.R.H.

PROJECT:
 AVANTE 2200



DESCRIPTION:
 FAN COILS F_C-24
 RIGHT CONNECTION

DRAWING NUMBER:
 P-M05462-001

SCALE: NTS FORMAT: A3 SHEET: 06/23