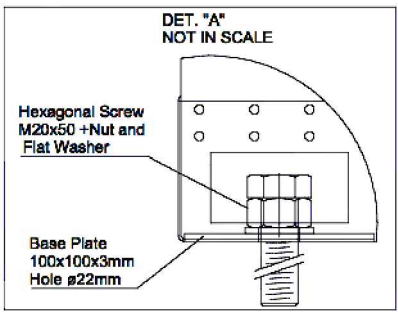


| ID | DESCRIPTION | Q.TY |
|----|---|------|
| 1 | Filter G3 320x250x98 | 3 |
| 2 | Electric Motor 1.75 KW | 1 |
| 3 | Centrifugal fan ConeFri THLZ 225 FF T1 | 1 |
| 4 | Flexible connection to outlet fan | 1 |
| 5 | Antivibration AD3030 | 4 |
| 6 | Cooling Coil Flange Outlet DN25 - EN 1092 Type 13B/PN16 | 1 |
| 7 | Cooling Coil Flange InB3 let DN25 - EN 1092 Type 13B/PN16 | 1 |



NOTES:
 WEIGHT 345KGs.
 ● CENTER OF GRAVITY
 EMC TYPE METALIC GLANDS WILL BE INSTALLED IN ELECTRICAL CONNECTION INLET ACCORDING SHIPYARD RECEIVED INFORMATION REGARDING FIELD CABLES

| REV. | DESCRIPTION | DATE | DRAWN | VERIFIED | APPROVED |
|------|---------------------------------|----------|--------|----------|----------|
| E | UPDATE | 29/07/19 | A.T.R. | J.M.C. | M.R.H. |
| D | UPDATE | 04/03/19 | G.A.R. | J.M.C. | M.R.H. |
| C | UPDATE | 07/12/18 | G.A.R. | J.M.C. | M.R.H. |
| B | UPDATE | 10/08/18 | M.A.G. | J.M.C. | M.R.H. |
| A | UPDATE | 08/08/17 | M.A.G. | M.R.H. | M.R.H. |
| O | FOR INFO./APPROVAL AND COMMENTS | 03/03/17 | F.S.G. | A.M.F. | M.R.H. |

PROJECT: AVANTE 2200

DESCRIPTION: FAN COILS F_C-22 LEFT CONNECTION

DRAWING NUMBER: P-M05462-001

SCALE: NTS FORMAT: A3 SHEET: 01/23

