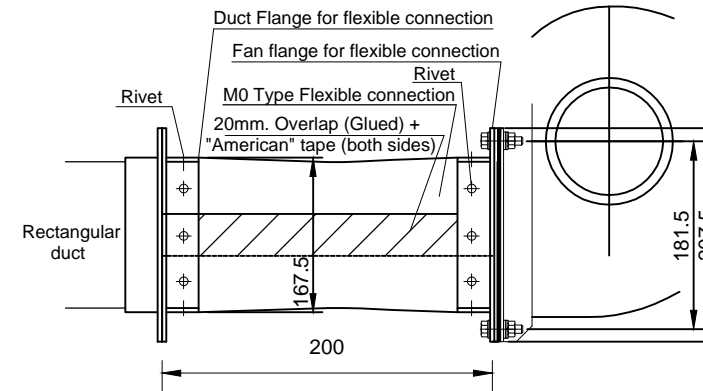


WEIGHT FAN CMP-616-2T ATEX: 19 Kg  
 WEIGHT FAN CMP-616-2T SPARK RESISTANT: 14 Kg  
 WEIGHT FAN CMP-616-2T : 14 Kg

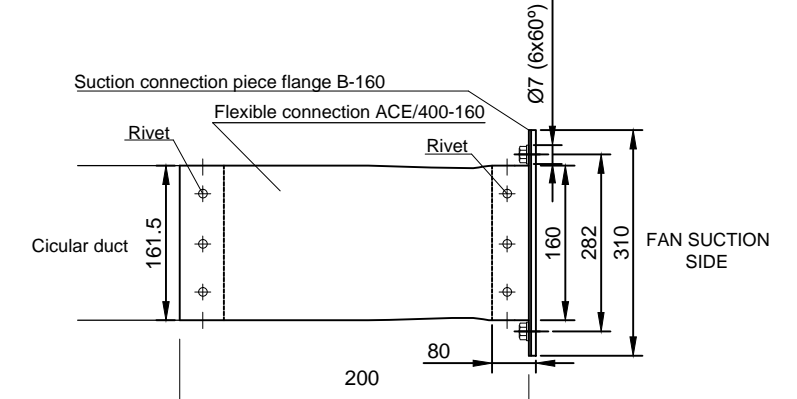
CENTER OF GRAVITY

**ACCESSORY FAN DISCHARGE SIDE**



FLEXIBLE CONNECTION: RECTANGULAR - RECTANGULAR

**ACCESSORY FAN SUCTION SIDE**



FLEXIBLE CONNECTION: CIRCULAR - CIRCULAR

TAG	OPERATION	MODEL	SERVICE	ACCESSORY FAN DISCHARGE SIDE	ACCESSORY FAN SUCTION SIDE
FAN-VEN02017	EXHAUST	CMP-616-2T ATEX ZONE 2 (Orientation LG 90)		Flexible connection 200 mm Model: discharge CMR-616-2T	Flexible connection 200 mm Model: ACE/400-160 + B-160
FAN-VEN01024	EXHAUST	CMP-616-2T ATEX ZONE 2 (Orientation LG 90)		Flexible connection 200 mm Model: discharge CMR-616-2T	Flexible connection 200 mm Model: ACE/400-160 + B-160
FAN-VEN02030	SUPPLY	CMP-616-2T SPARK RESISTANT (Orientation LG 90)		Flexible connection 200 mm Model: discharge CMR-616-2T	Flexible connection 200 mm Model: ACE/400-160 + B-160
FAN-VEN02031	EXHAUST	CMP-616-2T ATEX ZONE 2 (Orientation LG 90)		Flexible connection 200 mm Model: discharge CMR-616-2T	Flexible connection 200 mm Model: ACE/400-160 + B-160
FAN-VEN01032	SUPPLY	CMP-616-2T SPARK RESISTANT (Orientation LG 90)		Flexible connection 200 mm Model: discharge CMR-616-2T	Flexible connection 200 mm Model: ACE/400-160 + B-160
FAN-VES02020	EXHAUST	CMP-616-2T (Orientation LG 90)		Flexible connection 200 mm Model: discharge CMR-616-2T	Flexible connection 200 mm Model: ACE/400-160 + B-160

REV.	DESCRIPTION	DATE	DRAWN	VERIFIED	APPROVED
D	Updated	24/08/20	ATR	AMF	MRH
C	Updated	08/05/20	JCR	AMF	MRH
B	FOR INFO./COMMENTS	25/10/19	JCR	AMF	MRH
A	FOR INFO./COMMENTS	30/08/19	JCR	AMF	MRH

PROJECT: **AVANTE 2200**

DESCRIPTION: **CENTRIFUGAL FANS  
MODEL CMP-616-2T**

DRAWING NUMBER: **P-M05462-023**

SCALE: **NTS**      FORMAT: **A3**      SHEET: **07/11**

