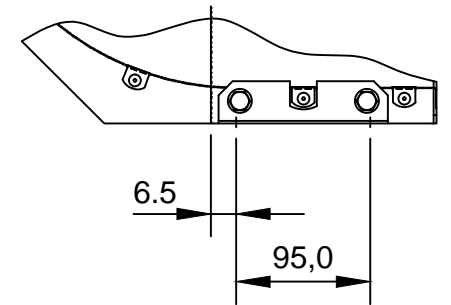
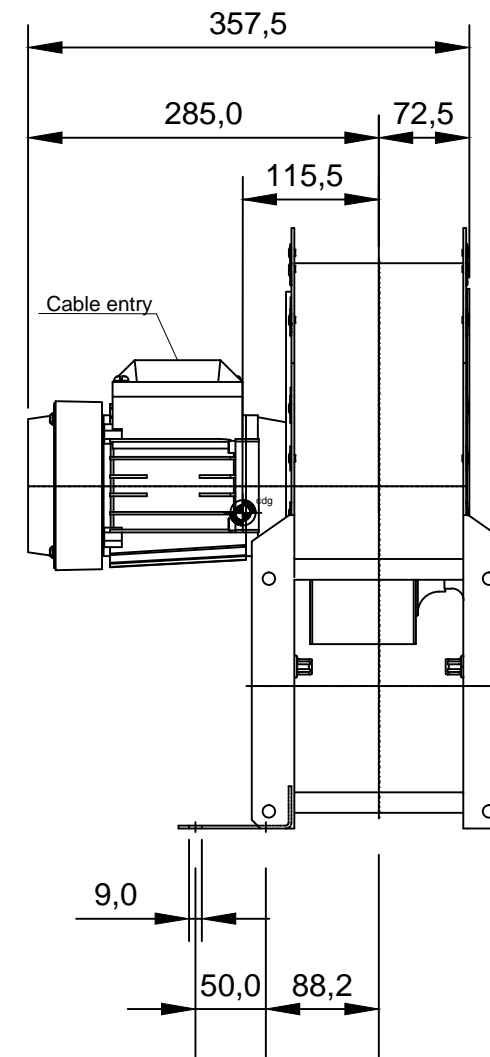
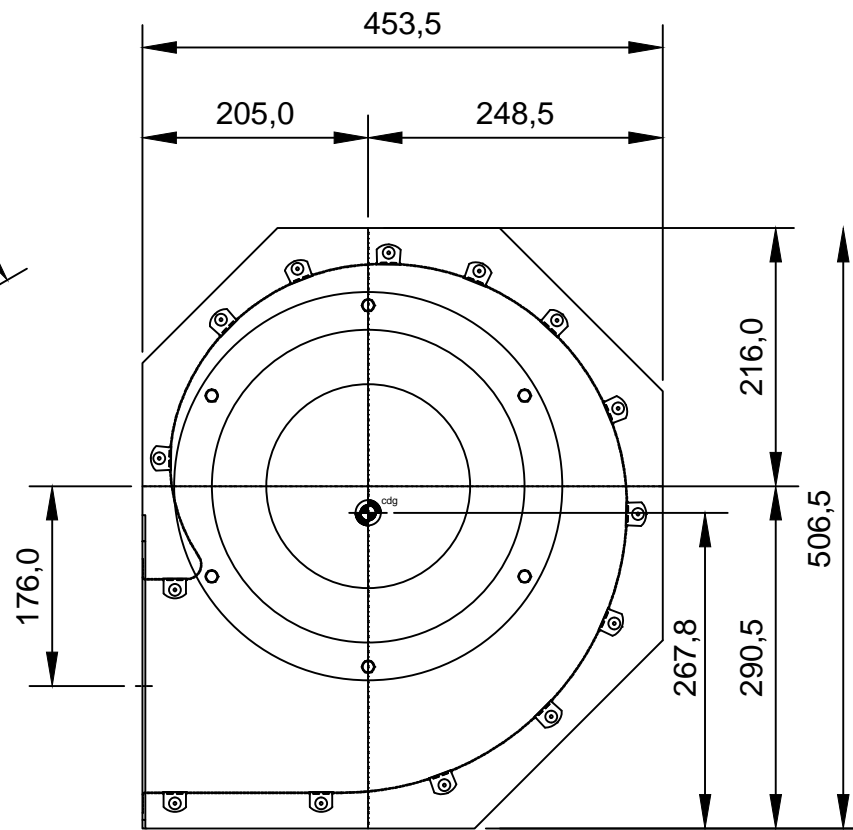
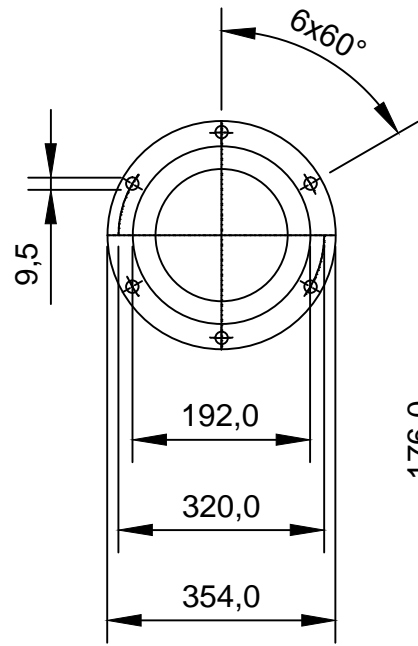
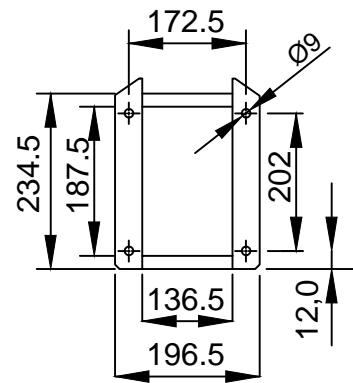
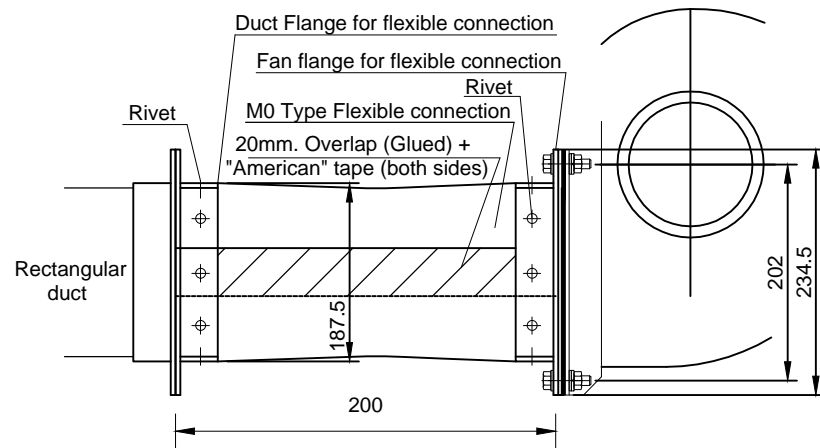


WEIGHT: 18 Kg
 Ⓞ CENTER OF GRAVITY

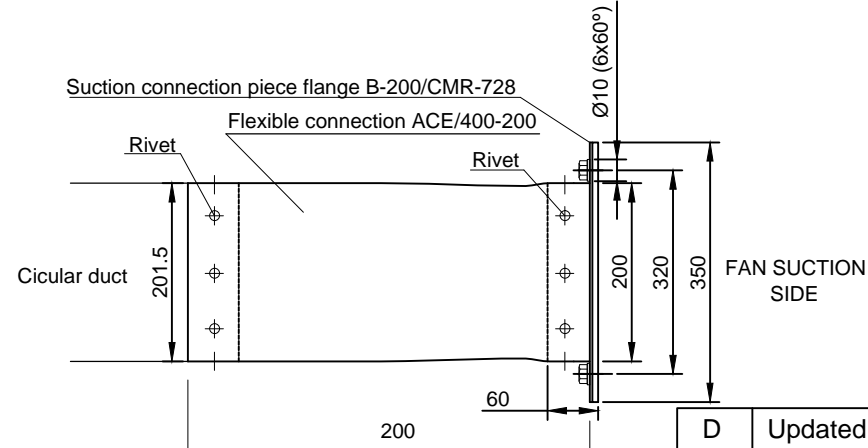


ACCESSORY FAN DISCHARGE SIDE



FLEXIBLE CONNECTION: RECTANGULAR - RECTANGULAR


ACCESSORY FAN SUCTION SIDE



FLEXIBLE CONNECTION: CIRCULAR - CIRCULAR

D	Updated	24/08/20	ATR	AMF	MRH
C	Updated	08/05/20	JCR	AMF	MRH
B	FOR INFO./COMMENTS	25/10/19	JCR	AMF	MRH
A	FOR INFO./COMMENTS	30/08/19	JCR	AMF	MRH
REV.	DESCRIPTION	DATE	DRAWN	VERIFIED	APPROVED

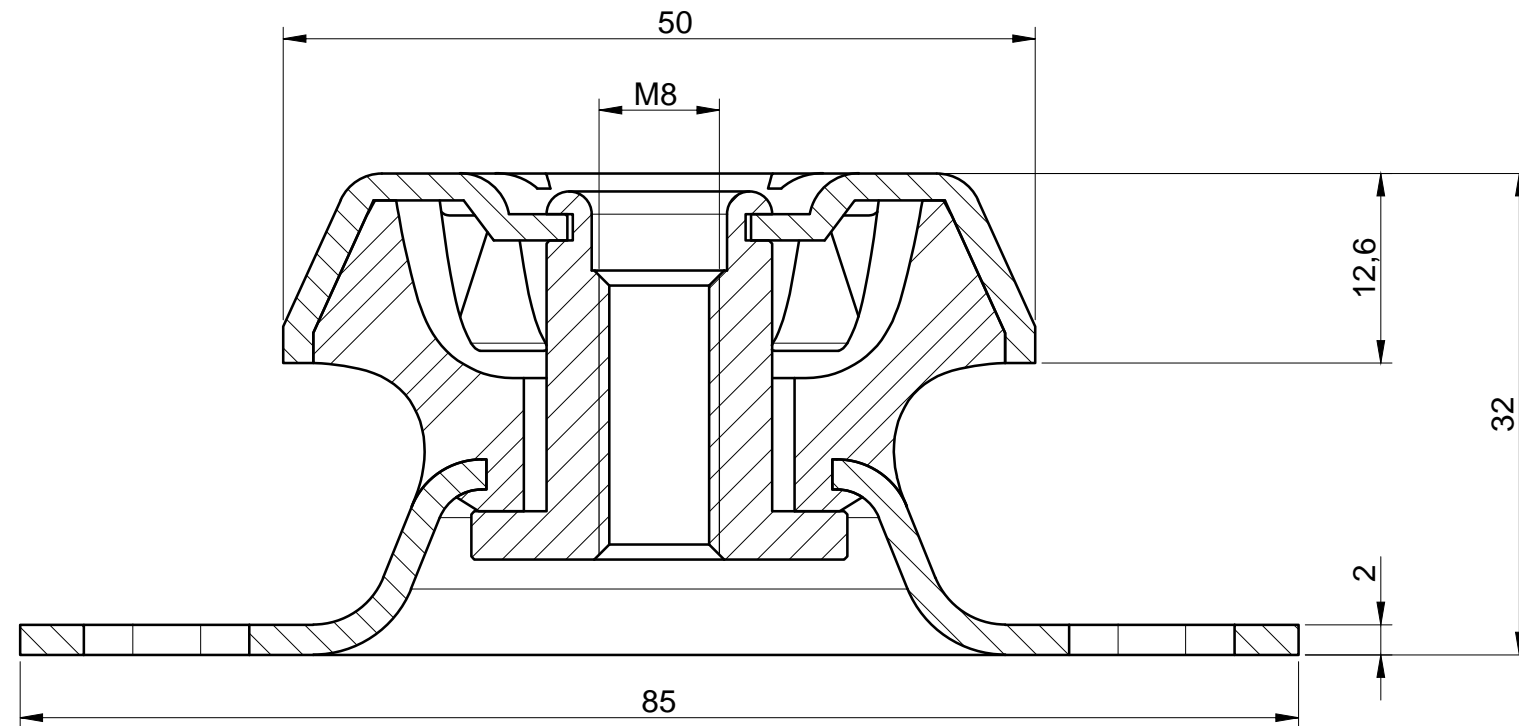
TAG	OPERATION	MODEL	SERVICE	ACCESSORY FAN DISCHARGE SIDE	ACCESSORY FAN SUCTION SIDE
FAN-VEN01001	SUPPLY	CMR-728-2T (Orientation LG 270)		Flexible connection 200 mm Model: discharge CMR-728-2T	Flexible connection 200 mm Model: ACE/400-200 + B-200/CMR-728
FAN-VEN01010	SUPPLY	CMR-728-2T (Orientation LG 270)		Flexible connection 200 mm Model: discharge CMR-728-2T	Flexible connection 200 mm Model: ACE/400-200 + B-200/CMR-728

PROJECT:	AVANTE 2200				
DESCRIPTION:	CENTRIFUGAL FANS MODEL CMR-728-2T				
DRAWING NUMBER:	P-M05462-023				
SCALE:	NTS	FORMAT:	A3	SHEET:	01/11

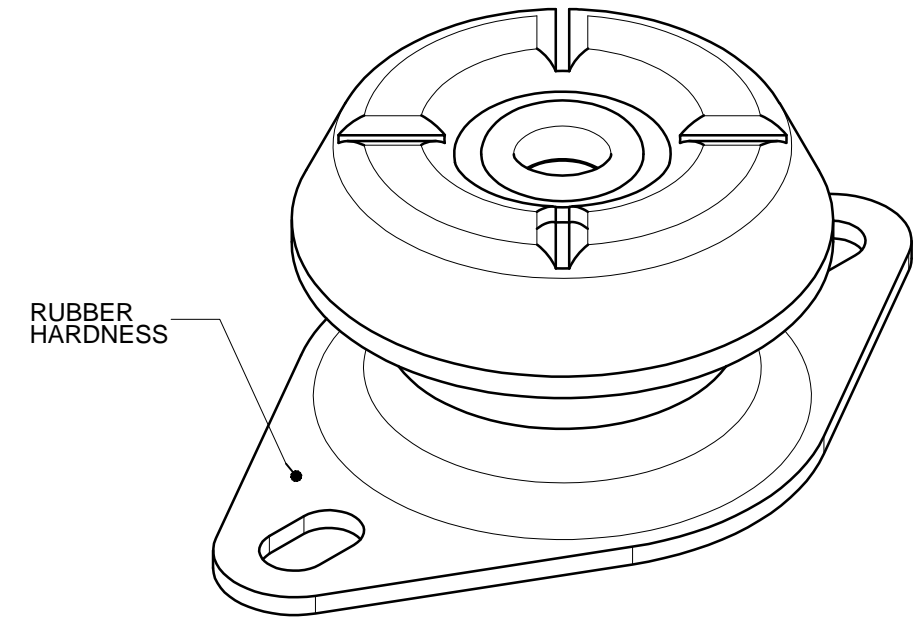
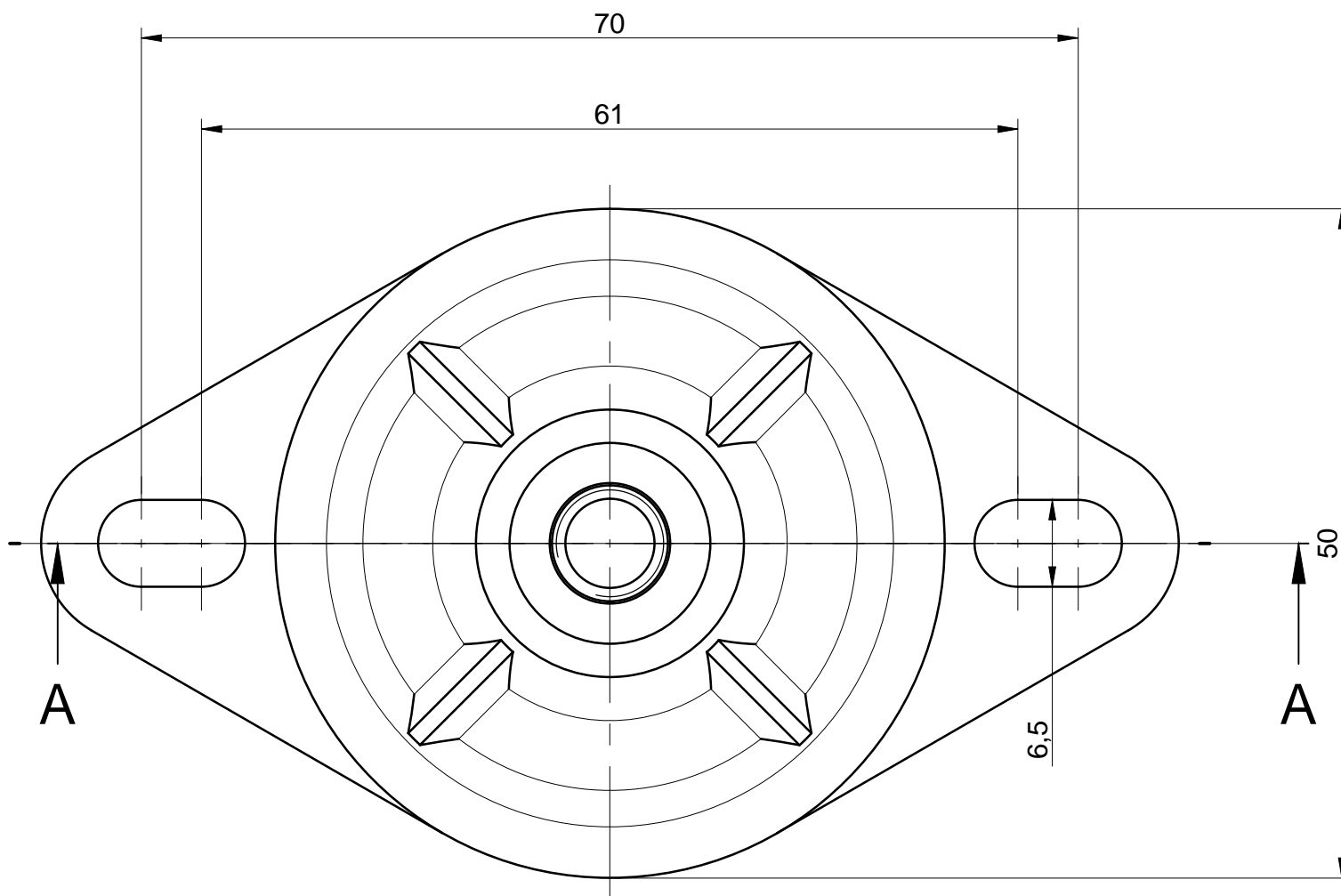
BRB 45 SUPPORTS			
CODE	RUBBER TYPE	HARDNESS	MAX. LOAD (Kg)
135137	NR	40Sh	12
135138	NR	50Sh	18
135139	NR	60Sh	25

GENERAL TOLERANCES TABLE FOR METAL PARTS	LARGER THAN (mm)	0,5	3	6	30	120	400	1000
	UP TO (mm)	3	6	30	120	400	1000	2000
	TOL. (mm)	±0,2	±0,3	±0,5	±0,8	±1,2	±2	±3

TOLERANCES FOR RUBBER AFFECTED DIMENSIONS: ISO 3302 M3



SECTION A-A




ANTIVIBRATION SUPPORT ASSOCIATED TO FANS:

FANS	MARINE SUPPORT CODE
FAN-VEN01001	135139
FAN-VEN01010	135139
FAN-VEN01012	135138
FAN-VEN02016	135138
FAN-VEN02029	135138
FAN-VEN01023	135138
FAN-VEN01025	135138
FAN-VEN02004	135138
FAN-VES01002	135138
FAN-VES01019	135138

FANS	MARINE SUPPORT CODE
FAN-VEN01014	135139
FAN-VEN01026	135139
FAN-VEN02017	135139
FAN-VEN01024	135139
FAN-VEN02030	135139
FAN-VEN02031	135139
FAN-VEN01013	135139
FAN-VEN01032	135139
FAN-VEN01034	135138
FAN-VEN01035	135138
FAN-VES02020	135139

REV.	DESCRIPTION	DATE	DRAWN	VERIFIED	APPROVED
D	Updated	05/08/20	ATR	AMF	MRH
C	Updated	08/05/20	JCR	AMF	MRH
B	FOR INFO./COMMENTS	25/10/19	JCR	AMF	MRH
A	FOR INFO./COMMENTS	30/08/19	JCR	AMF	MRH

PROJECT:					
AVANTE 2200					
DESCRIPTION:		DRAWING NUMBER:			
CENTRIFUGAL FANS ANTIVIBRATION MARINE SUPPORTS BRB 45		P-M05462-023			
SCALE:	FORMAT:	SHEET:			
NTS	A3	10/11			