



- PROJECT: AVANTE 2200
- SHIPYARD: NAVANTIA S.A.
- SYSTEM: EL.EQ.COOLING

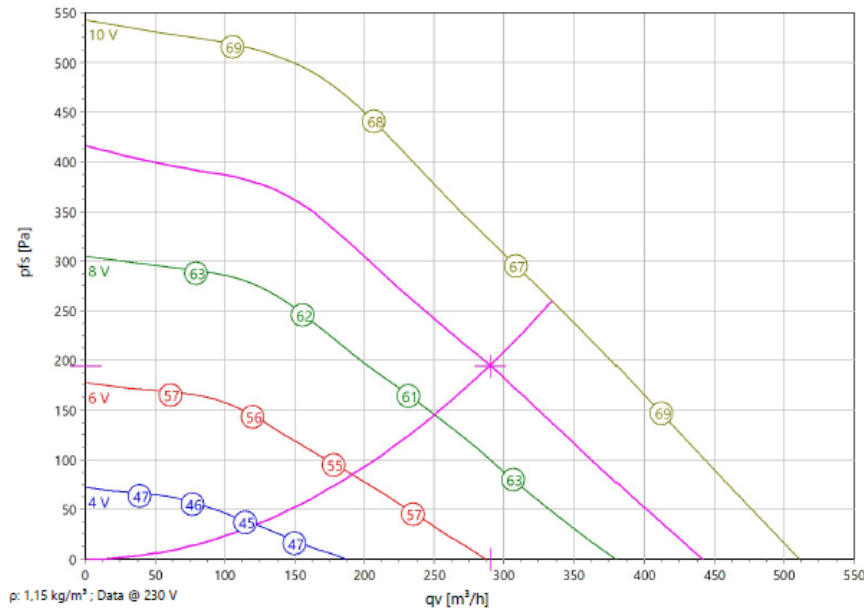


Tube fan



Type: **R 125 G.3BK**
 Art.-No.: F02-12501

Curve:



Operating Point:

Qv	290	m ³ /h
Pfs	195	Pa
Prid	25	Pa
$\eta_{\text{ed,fs}}$	26	%
$\eta_{\text{ed,tot}}$	29	%
P _{ed}	0,0613	kW
I	0,53	A
n	3387	r/min
L _{WA D,out}	64	dB(A)
U _c	9	V
v	6,55	m/s
SFP	762	Ws/m ³
FEI	2,9	
t _{k,OP}	60	°C

Nominal Data:

U [V]	f [Hz]	Data @ [V]	P _{ed} [kW]	I _N [A]	n _N [r/min]	t _k [°C]	k ₁₀ [m ² /h]	I _A / I _N	IP	m [kg]
1~200-240	50/60	230	0,09	0,74	3910	50	-	-	IP 44	3,5

Sound Data:

Frequency	Σ	63Hz	125Hz	250Hz	500Hz	1kHz	2kHz	4kHz	8kHz	Distances		
										1 m	4 m	
L _{WA(D,in)} [dB(A)]	65	26	40	53	59	59	59	57	49	L _{pA(D,in)} [dB(A)]	58	47
L _{WA(D,out)} [dB(A)]	64	26	37	50	57	59	58	56	49	L _{pA(D,out)} [dB(A)]	57	46
L _{WA(D,cas)} [dB(A)]	54	23	46	45	45	49	47	42	34	L _{pA(D,cas)} [dB(A)]	47	36



- PROJECT: AVANTE 2200
- SHIPYARD: NAVANTIA S.A.
- SYSTEM: EL.EQ.COOLING



Tube fan

with casing made of galvanized sheet steel

The Casing is made from galvanized sheet steel. Inlet and outlet side with duct connection for standard round ducts. Mounting either with horizontal or vertical motor shaft. Impeller made of Polypropylene (PP) or Polyamide (PA) UL95 V-0 with backward curved blades. Energy saving EC external-rotor motor. Maintenance free ball bearings, closed on both sides with long-term lubrication. Motor coated black and/or electrogalvanized. Cable for supply and controlling connection. 100% speed controllable with integrated Motor Protection. Soft Start. Applicable in all common energy grids. Motorized Impeller statically and dynamically balanced according to DIN ISO 21940-11 with quality level G2.5. The electrical connection is mounted on the housing by a terminal box. Air volume control is possible over an 0-10V Signal (accessory).

Fan complies with the guidelines required (Machinery-, EMC- and Low Voltage Directive) to comply with installation and conformity declaration as well as CE marking.

Operating Point Data:

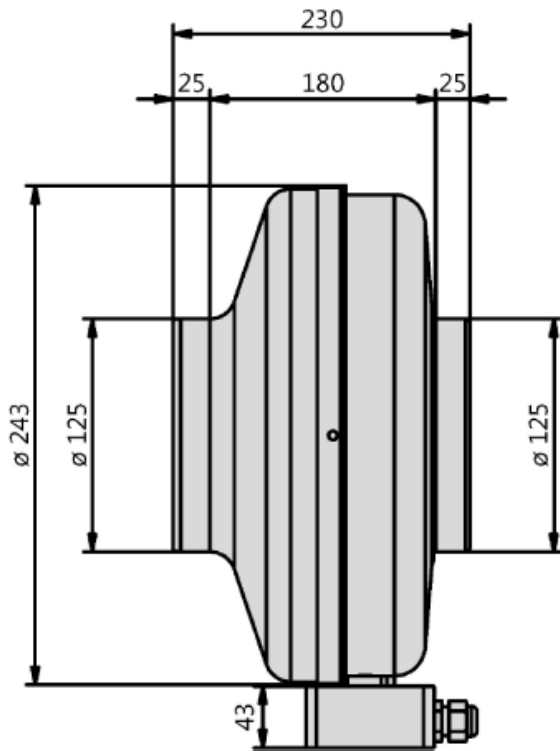
Airflow [qv]
290 m³/h
ext. Pressure [pfs]
195 Pa
Input power [Ped]
0,0613 kW
Current [I]
0,53 A
Speed [n]
3387 r/min
Sound power level [LwA (D,out)]
64 Lw(A)
Medium temperature [tR]
60 °C

Nominal Data:

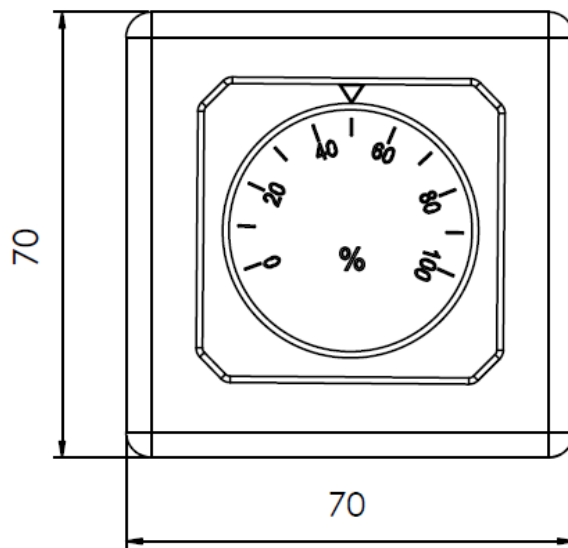
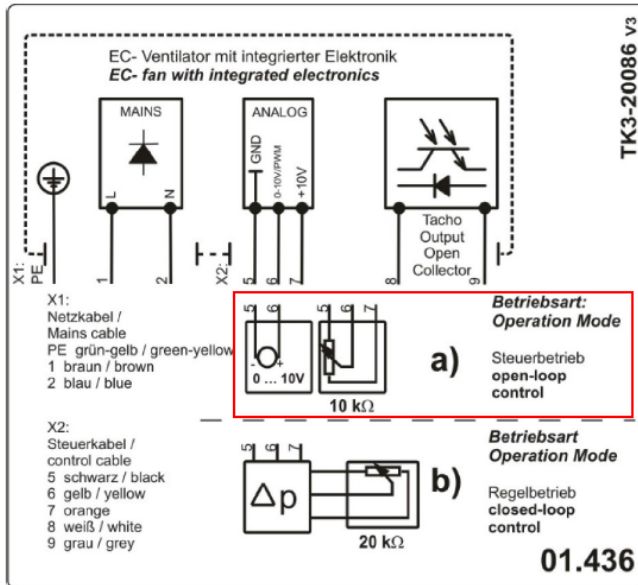
Voltage [U]
1~200-240 V
Frequency [f]
50/60 Hz
Input power [P]
0,09 kW
Current [I]
0,74 A
Speed [n]
3910 r/min
Medium temperature [tR]
50 °C
Protection Mode
IP 44
Weight [m]
3,5 kg
Dimensions [L / W / H]
230 mm / 243 mm / 243 mm



- PROJECT: AVANTE 2200
- SHIPYARD: NAVANTIA S.A.
- SYSTEM: EL.EQ.COOLING



Potentiometer 0-10V
 Potentiometer 0-10V (manual control)



Potentiometer to be installed inside CTP-CEE00001