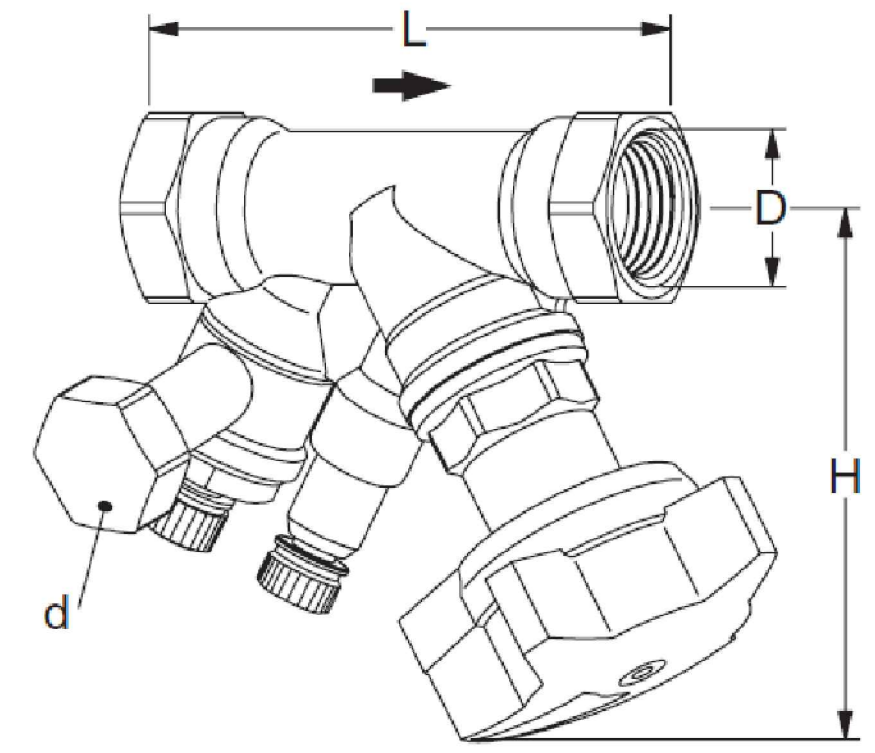


TAG	MAKER	MODEL	ASSOCIATED EQUIPMENT	SIZE	APROX. WEIGHT (Kg)
FCV-CHWS0002	IMI TA	52 851-615	UCO-ACO01001	DN15	0,56
FCV-CHWS0008	IMI TA	52 851-615	UCO-ACO01002	DN15	0,56
FCV-CHWS0016	IMI TA	52 851-615	UCO-ACO01003	DN15	0,56
FCV-CHWS0022	IMI TA	52 851-615	GCO-ACO01003	DN15	0,56
FCV-CHWS0029	IMI TA	52 851-615	GCO-ACO01001	DN15	0,56
FCV-CHWS0032	IMI TA	52 851-615	GCO-ACO01004	DN15	0,56
FCV-CHWS0039	IMI TA	52 851-615	GCO-ACO01002	DN15	0,56
FCV-CHWS0046	IMI TA	52 851-632	FCO-ACO01001	DN32	1,10
FCV-CHWS0055	IMI TA	52 851-625	UCO-ACO01004	DN25	0,77
FCV-CHWS0061	IMI TA	52 851-615	UCO-ACO01005	DN15	0,56
FCV-CHWS0064	IMI TA	52 851-640	FCO-ACO01002	DN40	1,50
FCV-CHWS0070	IMI TA	52 851-632	UCO-ACO01006	DN32	1,10
FCV-CHWS0081	IMI TA	52 851-615	UCO-ACO01008	DN15	0,56
FCV-CHWS0084	IMI TA	52 851-615	UCO-ACO02009	DN15	0,56
FCV-CHWS0095	IMI TA	52 851-615	UCO-ACO02010	DN15	0,56
FCV-CHWS0101	IMI TA	52 851-620	UCO-ACO02011	DN20	0,64
FCV-CHWS0105	IMI TA	52 851-615	UCO-ACO02013	DN15	0,56
FCV-CHWS0110	IMI TA	52 851-632	FCO-ACO02003	DN32	1,10
FCV-CHWS0116	IMI TA	52 851-640	FCO-ACO02004	DN40	1,50
FCV-CHWS0123	IMI TA	52 851-625	UCO-ACO02016	DN25	0,77
FCV-CHWS0128	IMI TA	52 851-625	UCO-ACO02014	DN25	0,77
FCV-CHWS0135	IMI TA	52 851-620	UCO-ACO02047	DN20	0,64
FCV-CHWS0147	IMI TA	52 851-615	GCO-ACO01006	DN15	0,56
FCV-CHWS0152	IMI TA	52 851-615	GCO-ACO01005	DN15	0,56
FCV-CHWS0159	IMI TA	52 851-615	GCO-ACO01007	DN15	0,56
FCV-CHWS0164	IMI TA	52 851-615	UCO-ACO01017	DN15	0,56
FCV-CHWS0170	IMI TA	52 851-615	GCO-ACO01008	DN15	0,56
FCV-CHWS0175	IMI TA	52 851-615	UCO-ACO01019	DN15	0,56
FCV-CHWS0185	IMI TA	52 851-615	UCO-ACO01040	DN15	0,56
FCV-CHWS0191	IMI TA	52 851-625	UCO-ACO01018	DN25	0,77
FCV-CHWS0199	IMI TA	52 851-615	GCO-ACO01009	DN15	0,56
FCV-CHWS0204	IMI TA	52 851-640	FCO-ACO01005	DN40	1,50
FCV-CHWS0212	IMI TA	52 851-615	CCO-VEN01003	DN15	0,56
FCV-CHWS0218	IMI TA	52 851-640	FCO-ACO01006	DN40	1,50
FCV-CHWS0233	IMI TA	52 851-632	FCO-ACO01007	DN32	1,10
FCV-CHWS0245	IMI TA	52 851-625	FCO-ACO01009	DN25	0,77
FCV-CHWS0250	IMI TA	52 851-625	FCO-ACO01008	DN25	0,77
FCV-CHWS0256	IMI TA	52 851-615	FCO-ACO01036	DN15	0,56
FCV-CHWS0262	IMI TA	52 851-615	UCO-ACO01007	DN15	0,56
FCV-CHWS0268	IMI TA	52 851-615	UCO-ACO01041	DN15	0,56
FCV-CHWS0284	IMI TA	52 851-625	UCO-ACO02021	DN25	0,77
FCV-CHWS0294	IMI TA	52 851-620	UCO-ACO02022	DN20	0,64
FCV-CHWS0300	IMI TA	52 851-615	GCO-ACO02012	DN15	0,56
FCV-CHWS0307	IMI TA	52 851-615	GCO-ACO02013	DN15	0,56
FCV-CHWS0316	IMI TA	52 851-615	UCO-ACO02020	DN15	0,56
FCV-CHWS0326	IMI TA	52 851-615	GCO-ACO02015	DN15	0,56
FCV-CHWS0331	IMI TA	52 851-615	GCO-ACO02016	DN15	0,56

TAG	MAKER	MODEL	ASSOCIATED EQUIPMENT	SIZE	APROX. WEIGHT (Kg)
FCV-CHWS0336	IMI TA	52 851-615	GCO-ACO02017	DN15	0,56
FCV-CHWS0341	IMI TA	52 851-615	GCO-ACO02014	DN15	0,56
FCV-CHWS0351	IMI TA	52 851-650	CCO-VEN01002	DN50	2,10
FCV-CHWS0358	IMI TA	52 851-640	CCO-VEN01005	DN40	1,50
FCV-CHWS0362	IMI TA	52 851-625	UCO-ACO01023	DN25	0,77
FCV-CHWS0371	IMI TA	52 851-640	FCO-ACO01013	DN40	1,50
FCV-CHWS0375	IMI TA	52 851-625	UCO-ACO01042	DN25	0,77
FCV-CHWS0382	IMI TA	52 851-632	CCO-VEN01001	DN32	1,10
FCV-CHWS0392	IMI TA	52 851-632	FCO-ACO01012	DN32	1,10
FCV-CHWS0395	IMI TA	52 851-650	CCO-VEN01004	DN50	2,10
FCV-CHWS0399	IMI TA	52 851-632	CCO-VEN01006	DN32	1,10
FCV-CHWS0410	IMI TA	52 851-640	FCO-ACO01014	DN40	1,50
FCV-CHWS0416	IMI TA	52 851-620	UCO-ACO02026	DN20	0,64
FCV-CHWS0422	IMI TA	52 851-620	UCO-ACO02024	DN20	0,64
FCV-CHWS0428	IMI TA	52 851-620	UCO-ACO02028	DN20	0,64
FCV-CHWS0434	IMI TA	52 851-620	UCO-ACO02030	DN20	0,64
FCV-CHWS0440	IMI TA	52 851-620	UCO-ACO02029	DN20	0,64
FCV-CHWS0448	IMI TA	52 851-632	UCO-ACO02025	DN32	1,10
FCV-CHWS0452	IMI TA	52 851-620	UCO-ACO02012	DN20	0,64
FCV-CHWS0458	IMI TA	52 851-625	UCO-ACO02027	DN25	0,77
FCV-CHWS0469	IMI TA	52 851-632	UCO-ACO02031	DN32	1,10
FCV-CHWS0475	IMI TA	52 851-640	CCO-VEN02009	DN40	1,50
FCV-CHWS0481	IMI TA	52 851-615	CCO-VEN02008	DN15	0,56
FCV-CHWS0488	IMI TA	52 851-640	CCO-VEN02011	DN40	1,50
FCV-CHWS0494	IMI TA	52 851-640	CCO-VEN02010	DN40	1,50
FCV-CHWS0502	IMI TA	52 851-632	UCO-ACO01035	DN32	1,10
FCV-CHWS0508	IMI TA	52 851-632	UCO-ACO01033	DN32	1,10
FCV-CHWS0514	IMI TA	52 851-632	UCO-ACO01032	DN32	1,10
FCV-CHWS0520	IMI TA	52 851-632	UCO-ACO01034	DN32	1,10
FCV-CHWS0528	IMI TA	52 851-620	UCO-ACO01039	DN20	0,64
FCV-CHWS0534	IMI TA	52 851-620	UCO-ACO01038	DN20	0,64
FCV-CHWS0547	IMI TA	52 851-615	GCO-ACO01019	DN15	0,56
FCV-CHWS0551	IMI TA	52 851-615	GCO-ACO01018	DN15	0,56
FCV-CHWS0560	IMI TA	52 851-620	UCO-ACO02037	DN20	0,64
FCV-CHWS0570	IMI TA	52 851-615	GCO-ACO02010	DN15	0,56
FCV-CHWS0575	IMI TA	52 851-615	GCO-ACO02020	DN15	0,56
FCV-CHWS0580	IMI TA	52 851-615	GCO-ACO02011	DN15	0,56
FCV-CHWS0585	IMI TA	52 851-615	GCO-ACO02021	DN15	0,56
FCV-CHWS0592	IMI TA	52 851-632	FCO-ACO01010	DN32	1,10
FCV-CHWS0667	IMI TA	52 851-632	FCO-ACO01015	DN32	1,10
FCV-CHWS0676	IMI TA	52 851-615	GCO-ACO01022	DN15	0,56
FCV-CHWS0677	IMI TA	52 851-615	GCO-ACO01023	DN15	0,56
FCV-CHWS0722	IMI TA	52 851-625	UCO-ACO01043	DN25	0,77
FCV-CHWS0727	IMI TA	52 851-625	UCO-ACO01044	DN25	0,77
FCV-CHWS0734	IMI TA	52 851-625	UCO-ACO01046	DN25	0,77
FCV-CHWS0740	IMI TA	52 851-625	UCO-ACO01045	DN25	0,77
FCV-CHWS0761	IMI TA	52 851-615	GCO-ACO01024	DN15	0,56
FCV-CHWS0891	IMI TA	52 851-625	UCO-ACO02048	DN25	0,77



E	UPDATED	08/05/20	JCR	MRH	MRH
D	UPDATED	30/07/19	JCR	MRH	MRH
C	UPDATED	15/11/18	JCR	MRH	MRH
B	UPDATED	10/08/18	JCR	MRH	MRH
A	FOR INFO./COMMENTS	08/08/17	JCR	MRH	MRH
REV.	DESCRIPTION	DATE	DRAWN	VERIFIED	APPROVED
PROJECT:					
AVANTE 2200					
DESCRIPTION:		DRAWING NUMBER:			
CHILLED WATER MANUAL BALANCING VALVES		P-M05462-020			
SCALE:		FORMAT:		SHEET:	
NTS		A3		01/01	