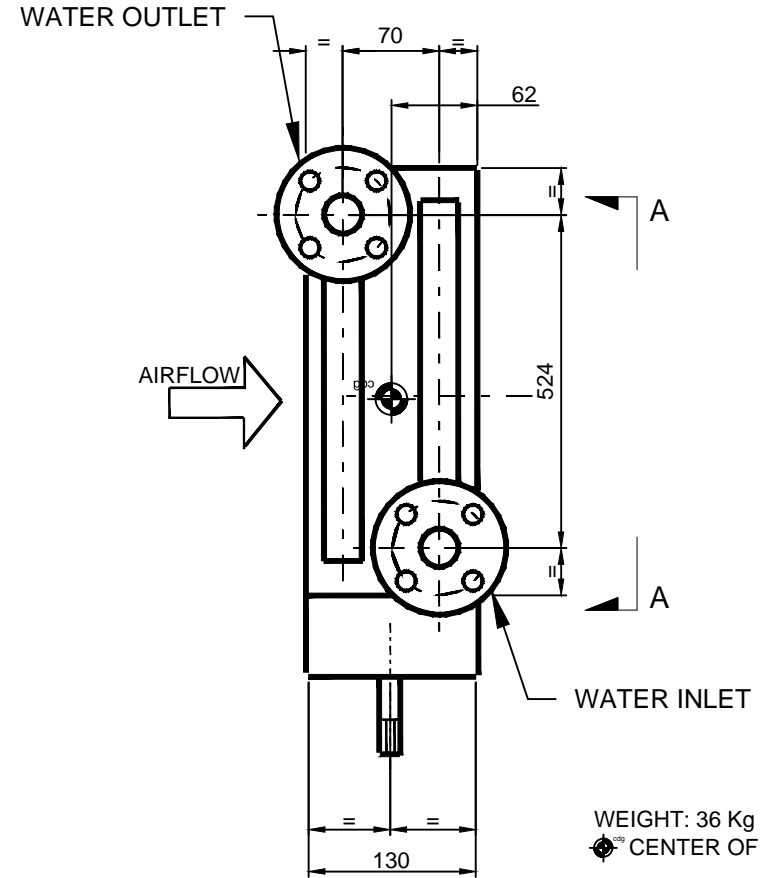


AA VIEW



WEIGHT: 36 Kg
 ● CENTER OF GRAVITY

WATER CONECTIONS: FLANGED AISI304 EN 1092-1. DN50

DESCRIPTION	TAG	MODEL	CHILLED WATER FLOW RATE (m3/h)	COOLING POWER (Kw)	SERVICE
Duct cooling coil	CCO-VEN01004	P30-12 AR 3R-20T-600A-2,0Pa	14.19	60.63	Spaces served by FAN-VEN01003

E	UPDATE	14/08/20	ATR	JMC	MRH
D	UPDATE	08/05/20	JMC	MRH	MRH
C	UPDATE	27/11/19	ATR	JMC	MRH
B	UPDATE	30/08/19	ATR	JMC	MRH
A	FOR INFO./COMMENTS	07/08/17	JCR	MRH	MRH
REV.	DESCRIPTION	DATE	DRAWN	VERIFIED	APPROVED

PROJECT:

AVANTE 2200



DESCRIPTION:

DUCT COOLING COILS

DRAWING NUMBER:

P-M05462-018

SCALE:

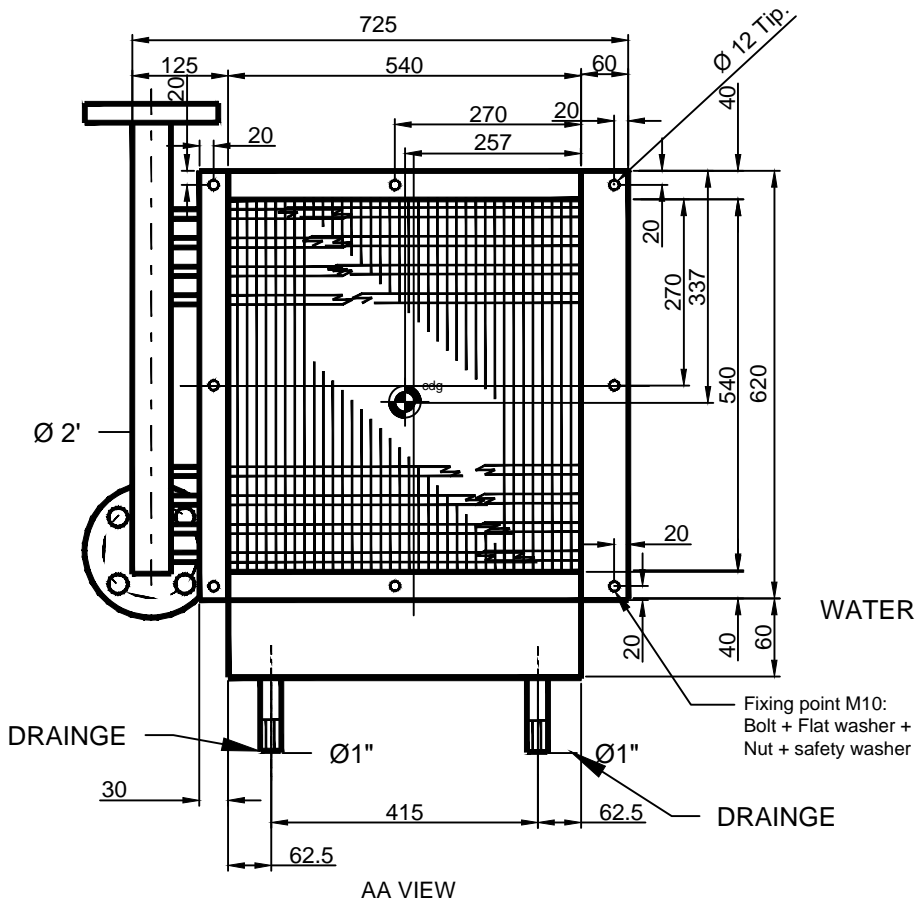
NTS

FORMAT:

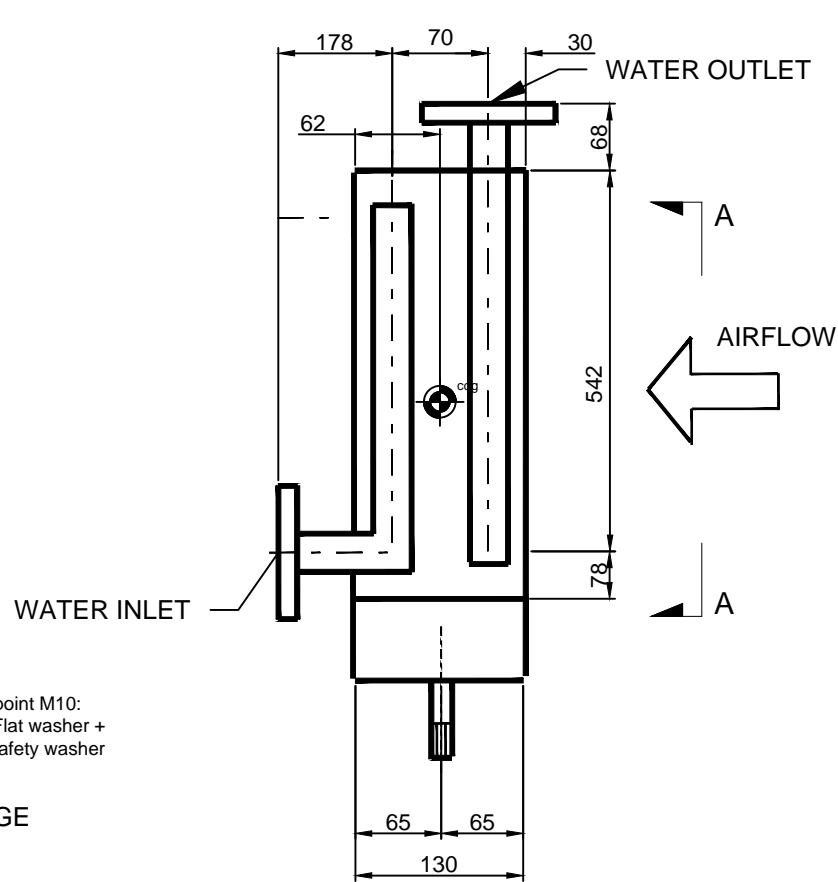
A3

SHEET:

04/10



AA VIEW



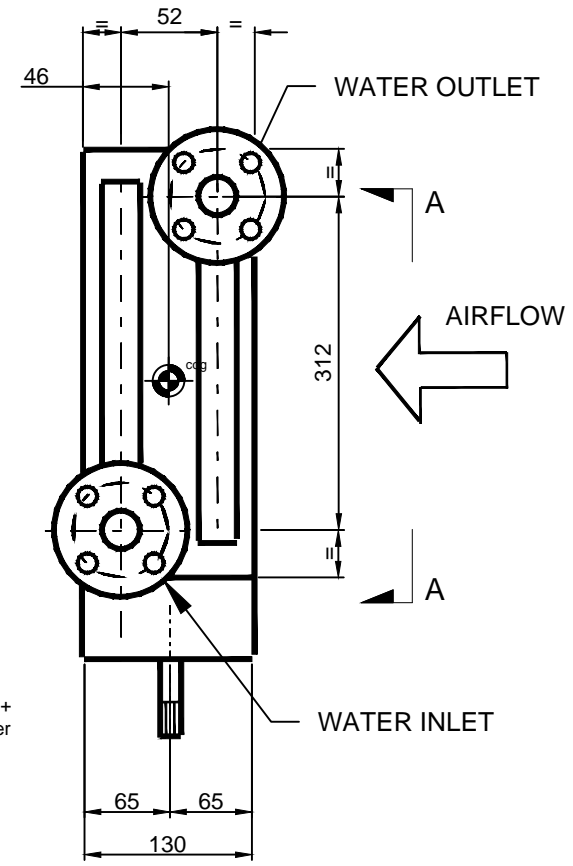
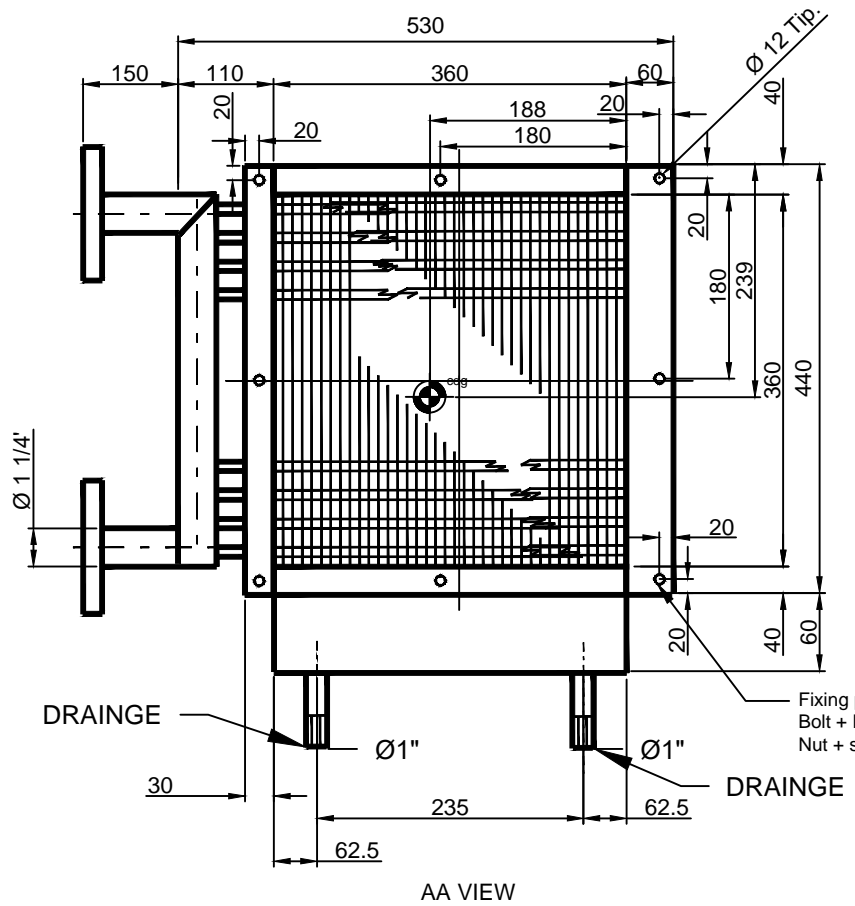
WEIGHT: 31 Kg
 CENTER OF GRAVITY

WATER CONECTIONS: FLANGED AISI304 EN 1092-1. DN50

DESCRIPTION	TAG	MODEL	CHILLED WATER FLOW RATE (m3/h)	COOLING POWER (Kw)	SERVICE
Duct cooling coil	CCO-VEN01005	P30-12 AR 3R-18T-540A-2,0Pa	7.22	30.84	Spaces served by FAN-VEN01008

E	UPDATE	14/08/20	ATR	JMC	MRH
D	UPDATE	08/05/20	JMC	MRH	MRH
C	UPDATE	27/11/19	ATR	JMC	MRH
B	UPDATE	30/08/19	ATR	JMC	MRH
A	FOR INFO./COMMENTS	07/08/17	JCR	MRH	MRH
REV.	DESCRIPTION	DATE	DRAWN	VERIFIED	APPROVED

PROJECT:		
AVANTE 2200		
DESCRIPTION:	DRAWING NUMBER:	
DUCT COOLING COILS	P-M05462-018	
SCALE:	FORMAT:	SHEET:
NTS	A3	05/10



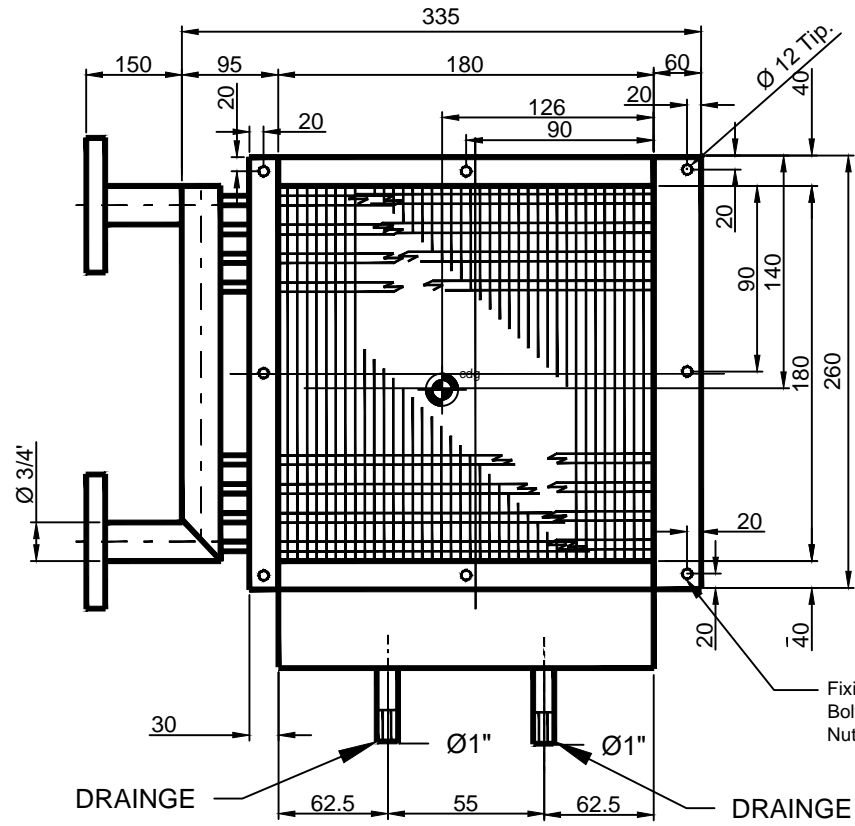
WEIGHT: 17 Kg
 CENTER OF GRAVITY

WATER CONECTIONS: FLANGED AISI304 EN 1092-1. DN32

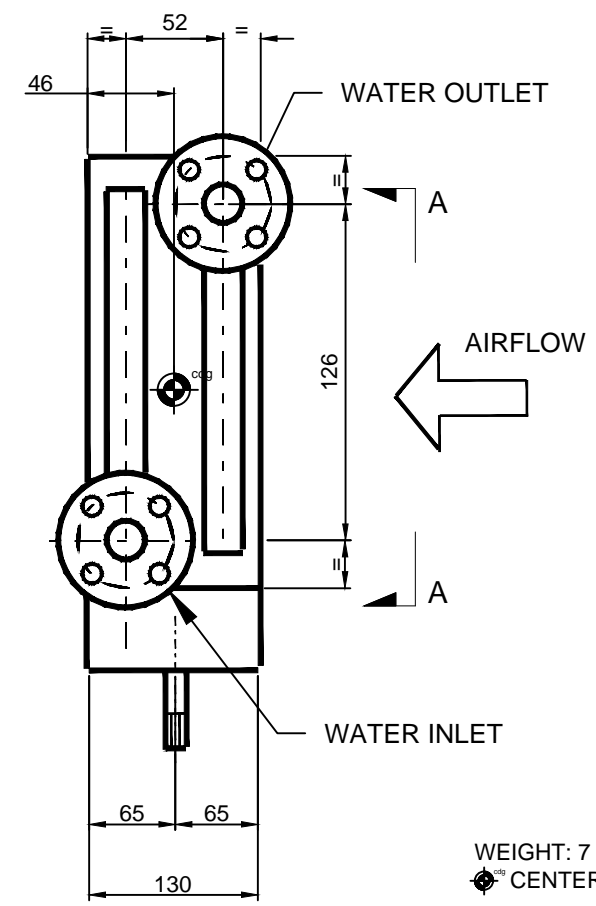
DESCRIPTION	TAG	MODEL	CHILLED WATER FLOW RATE (m3/h)	COOLING POWER (Kw)	SERVICE
Duct cooling coil	CCO-VEN01006	P30-12 AR 3R-12T-360A-2,0Pa	4.46	19.06	Spaces served by FAN-VEN01010

E	UPDATE	14/08/20	ATR	JMC	MRH
D	UPDATE	08/05/20	JMC	MRH	MRH
C	UPDATE	27/11/19	ATR	JMC	MRH
B	UPDATE	30/08/19	ATR	JMC	MRH
A	FOR INFO./COMMENTS	07/08/17	JCR	MRH	MRH
REV.	DESCRIPTION	DATE	DRAWN	VERIFIED	APPROVED

PROJECT:		
AVANTE 2200		
DESCRIPTION:	DRAWING NUMBER:	
DUCT COOLING COILS	P-M05462-018	
SCALE:	FORMAT:	SHEET:
NTS	A3	06/10



AA VIEW




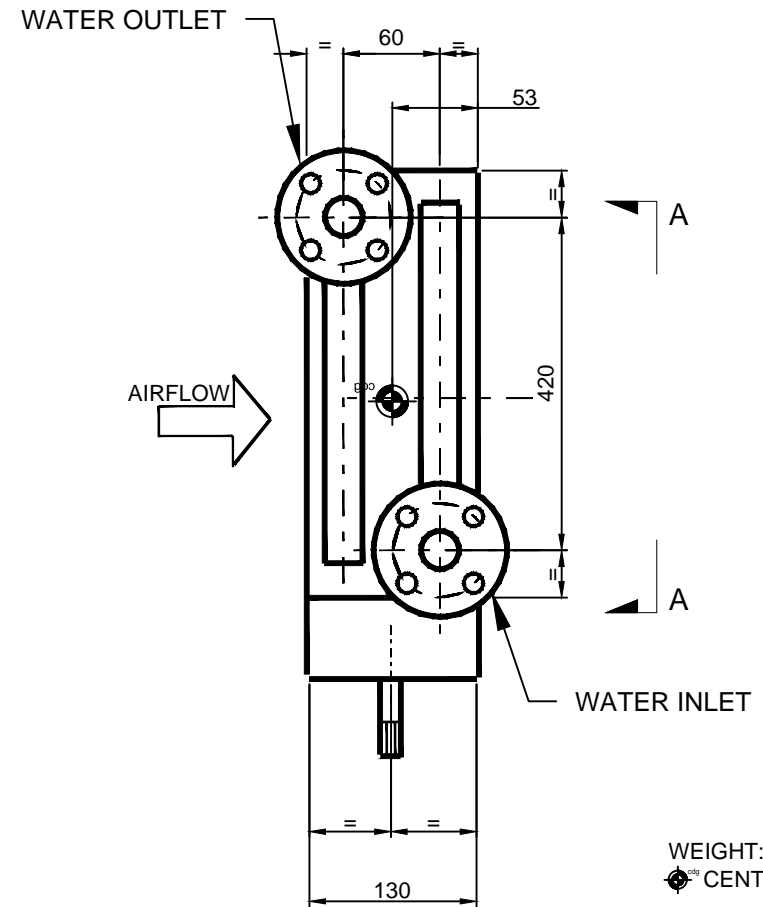
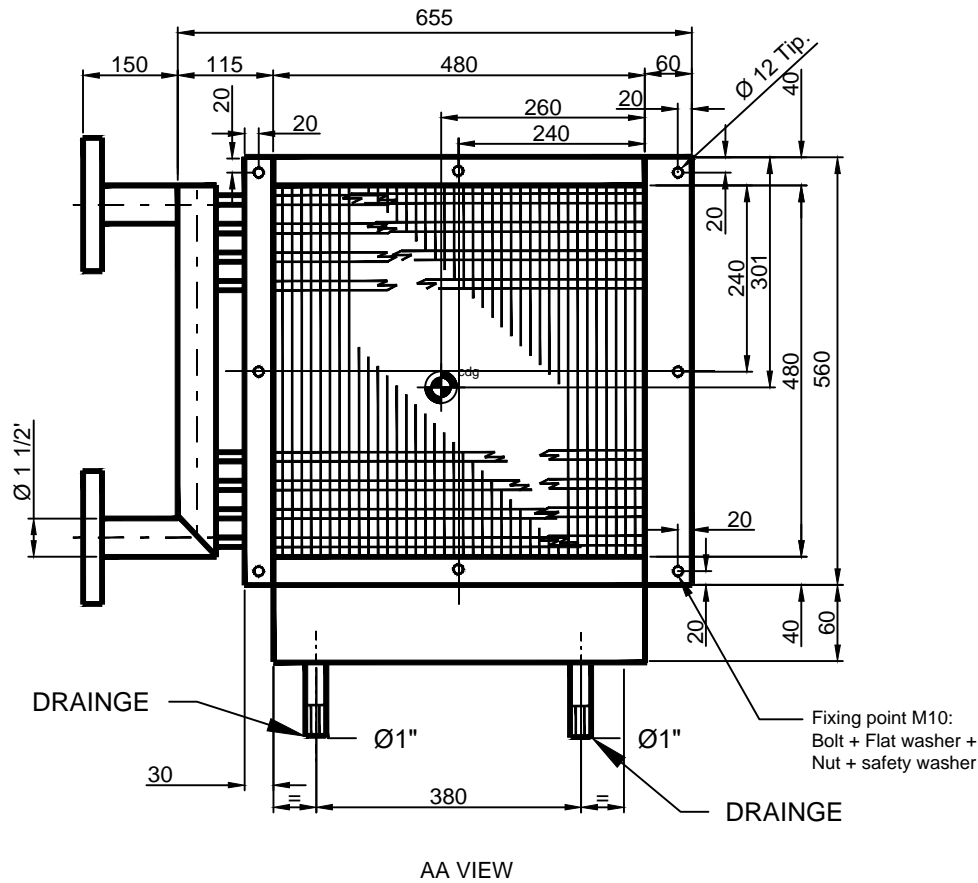
WEIGHT: 7 Kg
 CENTER OF GRAVITY

WATER CONECTIONS: FLANGED AISI304 EN 1092-1. DN20

DESCRIPTION	TAG	MODEL	CHILLED WATER FLOW RATE (m3/h)	COOLING POWER (Kw)	SERVICE
Duct cooling coil	CCO-VEN02008	P30-12 AR 3R-6T-180A-2.0Pa	1.01	4.33	Spaces served by FAN-VEN02004

E	UPDATE	14/08/20	ATR	JMC	MRH
D	UPDATE	08/05/20	JMC	MRH	MRH
C	UPDATE	27/11/19	ATR	JMC	MRH
B	UPDATE	30/08/19	ATR	JMC	MRH
A	FOR INFO./COMMENTS	07/08/17	JCR	MRH	MRH
REV.	DESCRIPTION	DATE	DRAWN	VERIFIED	APPROVED

PROJECT:		
	<p>AVANTE 2200</p>	
DESCRIPTION:	<p>DUCT COOLING COILS</p>	
DRAWING NUMBER:	<p>P-M05462-018</p>	
SCALE:	<p>NTS</p>	<p>FORMAT: A3</p>
SHEET:	<p>07/10</p>	




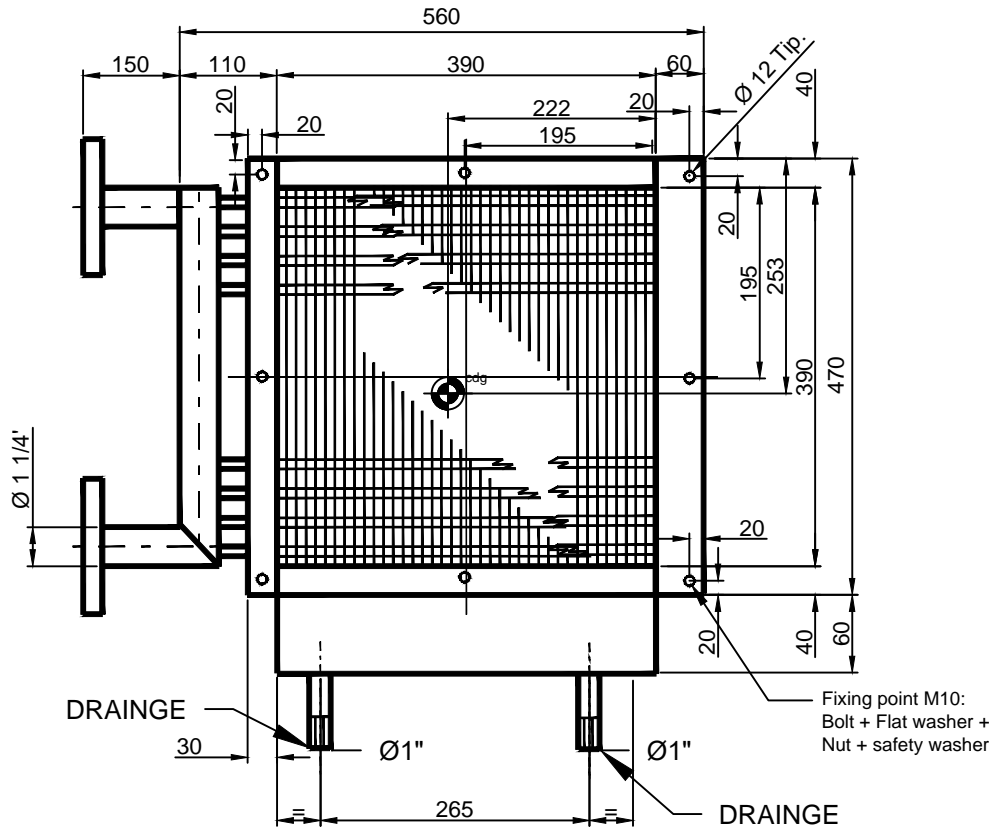
WEIGHT: 24 Kg
 Ⓢ CENTER OF GRAVITY

WATER CONECTIONS: FLANGED AISI304 EN 1092-1. DN40

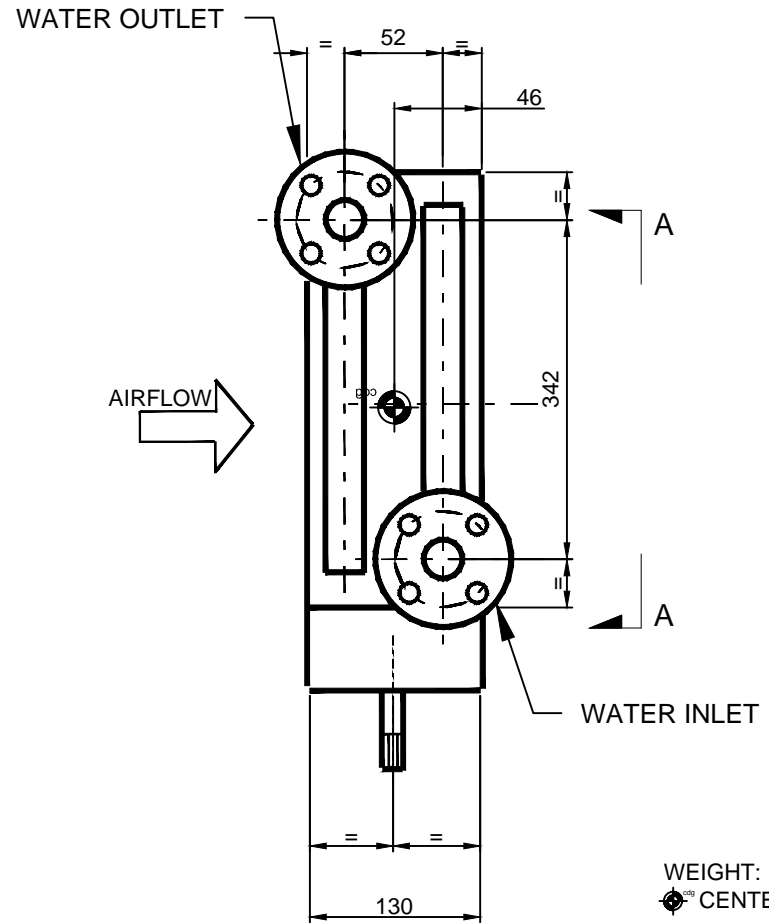
DESCRIPTION	TAG	MODEL	CHILLED WATER FLOW RATE (m ³ /h)	COOLING POWER (Kw)	SERVICE
Duct cooling coil	CCO-VEN02009	P30-12 AR 3R -16T-480A-2,0Pa	8.44	36.05	Spaces served by FAN-VEN02005

E	UPDATE	14/08/20	ATR	JMC	MRH
D	UPDATE	08/05/20	JMC	MRH	MRH
C	UPDATE	27/11/19	ATR	JMC	MRH
B	UPDATE	30/08/19	ATR	JMC	MRH
A	FOR INFO./COMMENTS	07/08/17	JCR	MRH	MRH
REV.	DESCRIPTION	DATE	DRAWN	VERIFIED	APPROVED

PROJECT:	AVANTE 2200			
DESCRIPTION:	DUCT COOLING COILS		DRAWING NUMBER: P-M05462-018	
SCALE:	NTS	FORMAT:	A3	SHEET: 08/10



AA VIEW




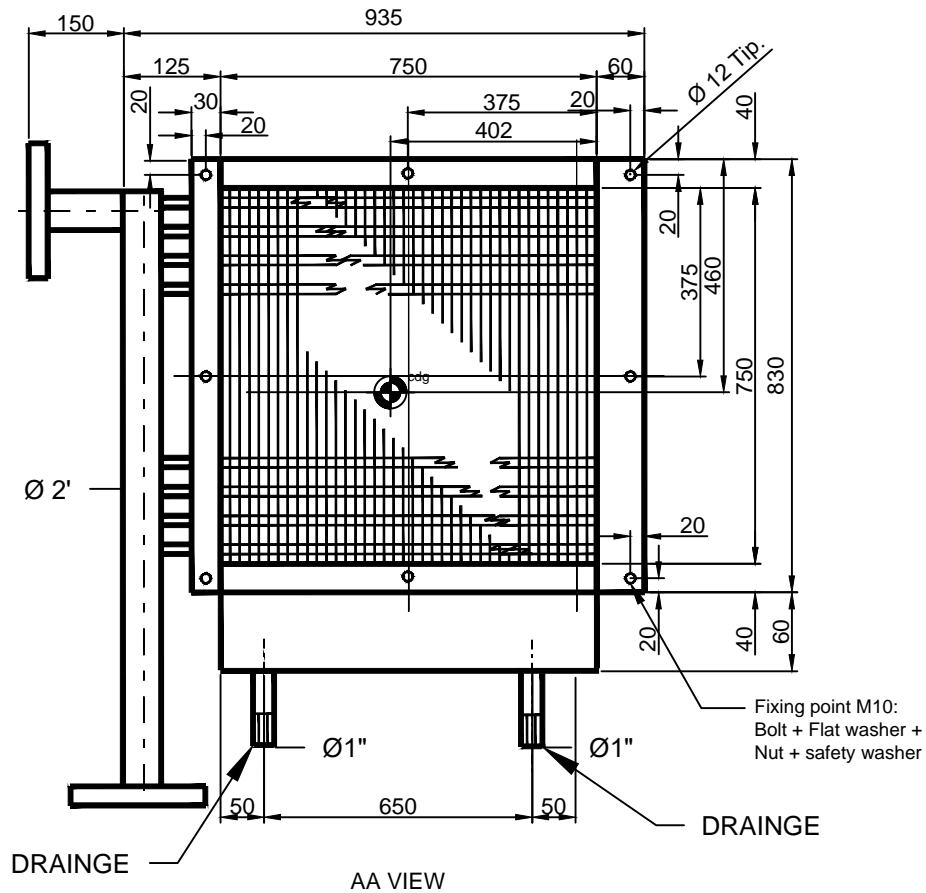
WEIGHT: 18 Kg
 ● CENTER OF GRAVITY

WATER CONECTIONS: FLANGED AISI304 EN 1092-1. DN32

DESCRIPTION	TAG	MODEL	CHILLED WATER FLOW RATE (m ³ /h)	COOLING POWER (Kw)	SERVICE
Duct cooling coil	CCO-VEN02010	P30-12 AR 3R-13T-390A-2,0Pa	6.20	26.51	Spaces served by FAN-VEN02018

REV.	DESCRIPTION	DATE	DRAWN	VERIFIED	APPROVED
E	UPDATE	14/08/20	ATR	JMC	MRH
D	UPDATE	08/05/20	JMC	MRH	MRH
C	UPDATE	27/11/19	ATR	JMC	MRH
B	UPDATE	30/08/19	ATR	JMC	MRH
A	FOR INFO./COMMENTS	07/08/17	JCR	MRH	MRH

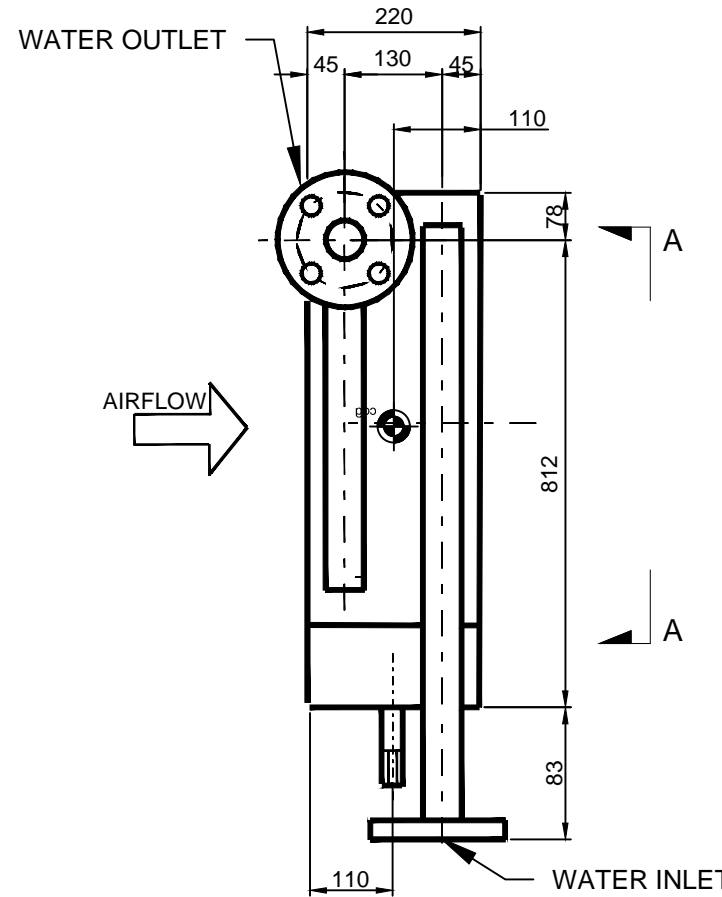
PROJECT:	AVANTE 2200				
DESCRIPTION:	DUCT COOLING COILS			DRAWING NUMBER: P-M05462-018	
SCALE:	NTS	FORMAT:	A3	SHEET: 09/10	



AA VIEW

WATER CONECTIONS: FLANGED AISI304 EN 1092-1. DN50

DESCRIPTION	TAG	MODEL	CHILLED WATER FLOW RATE (m3/h)	COOLING POWER (Kw)	SERVICE
Duct cooling coil	CCO-VEN02011	P30-12 AR 8R-25T -750A-2,2Pa	9.62	41.11	Spaces served by FAN-VEN02020



WEIGHT: 90 Kg
 CENTER OF GRAVITY

E	UPDATE	14/08/20	ATR	JMC	MRH
D	UPDATE	08/05/20	JMC	MRH	MRH
C	UPDATE	27/11/19	ATR	JMC	MRH
B	UPDATE	30/08/19	ATR	JMC	MRH
A	FOR INFO./COMMENTS	07/08/17	JCR	MRH	MRH
REV.	DESCRIPTION	DATE	DRAWN	VERIFIED	APPROVED

PROJECT:			
	AVANTE 2200		
DESCRIPTION:	DUCT COOLING COILS		
DRAWING NUMBER:	P-M05462-018		
SCALE:	NTS	FORMAT:	A3
		SHEET:	10/10