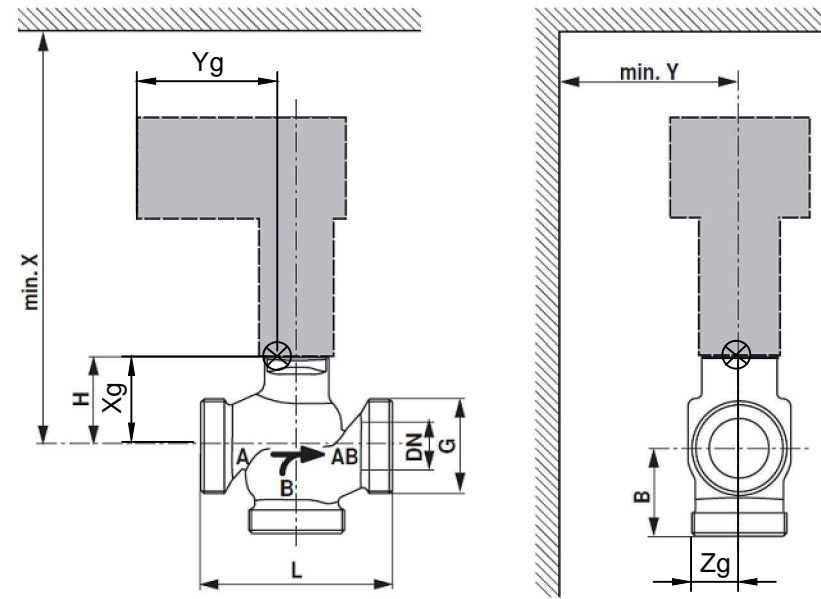


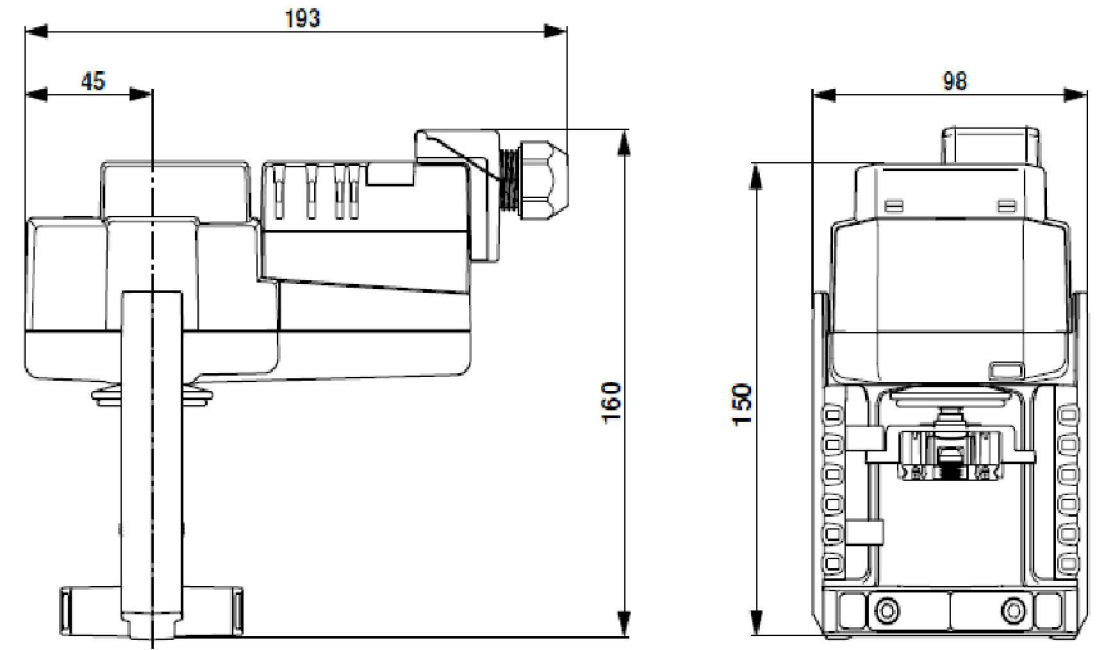


Dimensional drawings



X/Y: Minimum distance with respect to the valve centre.
The actuator dimensions can be found on the respective actuator data sheet.

Dimensional drawings. NV24A-SR-TPC




TAG	ACTUATOR MODEL	BODY MODEL	ASSOCIATED EQUIPMENT	SIZE	CLASSIFICATION	APROX. WEIGHT (Kg)
MTV-CHWS0498	NV24A-SR-TPC	H540B+ ZH4540	CCO-VEN02011	DN40	(W)	3.9

Type	DN [mm]	G ["]	L [mm]	B [mm]	H [mm]	X [mm]	Y [mm]	Weight [Kg]	Xg [mm]	Yg [mm]	Zg [mm]
H511B	15	1 1/8	80	55	46	290	100	1.2	46	69.0	17.0
H512B	15	1 1/8	80	55	46	290	100	1.2	46	69.0	17.0
H513B	15	1 1/8	80	55	46	290	100	1.2	46	69.0	17.0
H514B	15	1 1/8	80	55	46	290	100	1.2	46	69.0	17.0
H515B	15	1 1/8	80	55	46	290	100	1.3	46	69.0	17.0
H520B	20	1 1/4	90	55	46	290	100	1.3	46	76.0	21.0
H525B	25	1 1/2	110	55	52	300	100	1.5	52	82.1	23.3
H532B	32	2	120	55	56	300	100	2.0	56	84.3	25.3
H540B	40	2 1/4	130	60	65	310	100	2.5	65	86.3	27.4
H550B	50	2 3/4	150	65	65	310	100	3.4	65	90.4	29.2

MOTORIZED VALVE THREE WAY (PROPORTIONAL REGULATION)

G	Updated	08/05/20	JCR	MRH	MRH
F	Updated	30/07/19	JCR	MRH	MRH
E	Updated	03/04/19	JCR	MRH	MRH
D	Updated	15/11/18	JCR	MRH	MRH
C	Updated	24/08/18	JCR	MRH	MRH
B	Updated MTV-CHWS0052	15/09/17	JCR	MRH	MRH
A	FOR INFO./COMMENTS	08/09/17	JCR	MRH	MRH
REV.	DESCRIPTION	DATE	DRAWN	VERIFIED	APPROVED

PROJECT:					
DESCRIPTION:	AVANTE 2200 CHILLED WATER MOTORIZED CONTROL / CLOSE VALVES				
DRAWING NUMBER:	P-M05462-019				
SCALE:	NTS	FORMAT:	A3	SHEET:	03/04



3323-E3

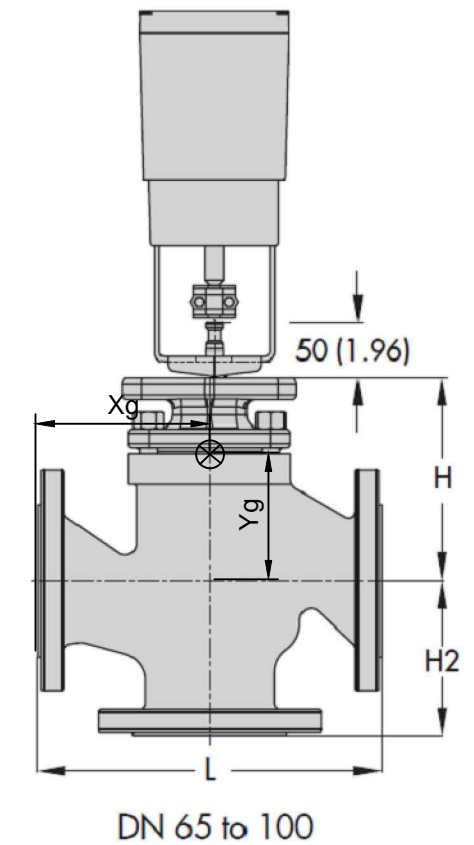
Table 6: Dimensions and weights for Type 3323 Three-way Valve

Table 6.1: Valve with standard bonnet

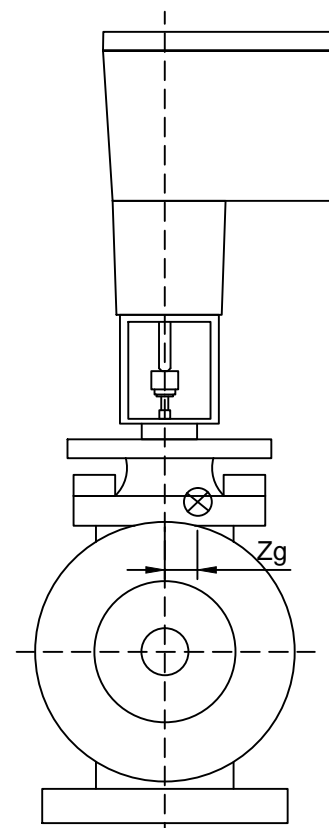
Valve size	DN	15	20	25	32	40	50	65	80	100
Face-to-face dimension L	mm	130	150	160	180	200	230	290	310	350
Height H	mm	110			115			135		157
Height H2	mm	70	80	85	100	105	120	130	140	150
Weight	kg (approx.)	5	6	7	11	12	15	31	37	49

Table 6.3: Weights of Type 3371, Type 3372, Type 5824 and Type 3374 Actuators

Actuator type	Pneumatic		Electropneumatic			Electric		
Type	3371/120	3371/350	3372/120	3372/120	3372/350	E1/5824	E3/3374	
Positioner	-		Integrated	Type 3725		Optional, integrated		
Weight	kg (approx.)	4	13	6	7	16	1.25	Max. 4



TAG	ACTUATOR MODEL	BODY MODEL	ASSOCIATED EQUIPMENT	SIZE	CLASSIFICATION	APROX. WEIGHT (Kg)
MTV-CHWS0620	E3 - TYPE 3374	TYPE 3323	CWP-CHW00001	DN100	W	52.9
MTV-CHWS0639	E3 - TYPE 3374	TYPE 3323	CWP-CHW00002	DN100	W	52.9
MTV-CHWS0658	E3 - TYPE 3374	TYPE 3323	CWP-CHW00003	DN100	W	52.9
THV-ASWS0149	E3 - TYPE 3374	TYPE 3323	CWP-CHW00001	DN100	W	52.9
THV-ASWS0148	E3 - TYPE 3374	TYPE 3323	CWP-CHW00002	DN100	W	52.9
THV-ASWS0147	E3 - TYPE 3374	TYPE 3323	CWP-CHW00003	DN100	W	52.9



DN [mm]	L [mm]	H [mm]	H2 [mm]	Xg [mm]	Yg [mm]	Zg [mm]
100	350	157	150	42.5	132.5	13.5

MOTORIZED VALVE THREE WAY (PROPORTIONAL REGULATION)

G	Updated	08/05/20	JCR	MRH	MRH
F	Updated	30/07/19	JCR	MRH	MRH
E	Updated	03/04/19	JCR	MRH	MRH
D	Updated	15/11/18	JCR	MRH	MRH
C	Updated	24/08/18	JCR	MRH	MRH
B	Updated MTV-CHWS0052	15/09/17	JCR	MRH	MRH
A	FOR INFO./COMMENTS	08/09/17	JCR	MRH	MRH
REV.	DESCRIPTION	DATE	DRAWN	VERIFIED	APPROVED

PROJECT:	AVANTE 2200				
DESCRIPTION:	CHILLED WATER MOTORIZED CONTROL / CLOSE VALVES				
DRAWING NUMBER:	P-M05462-019				
SCALE:	NTS	FORMAT:	A3	SHEET:	04/04

