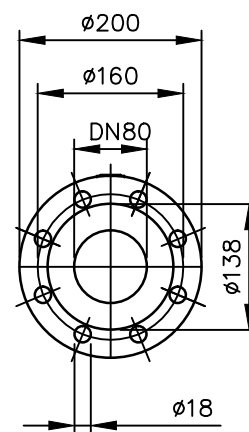
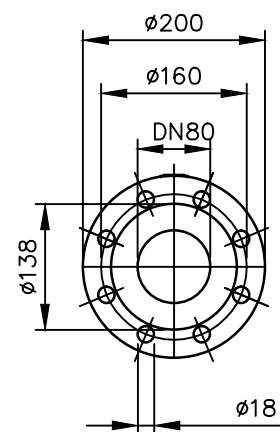
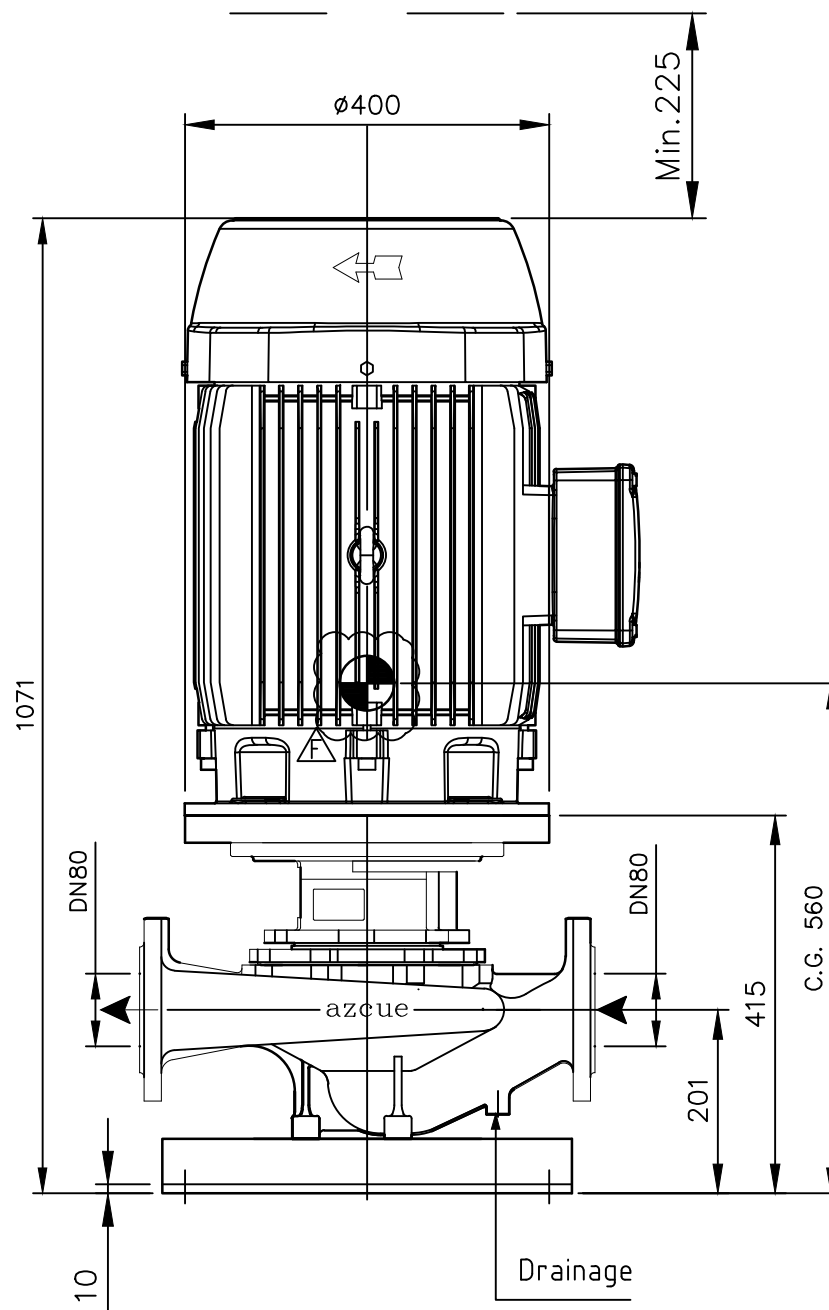
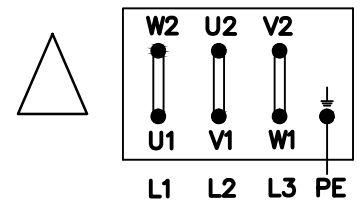


CABLE GLANDS:

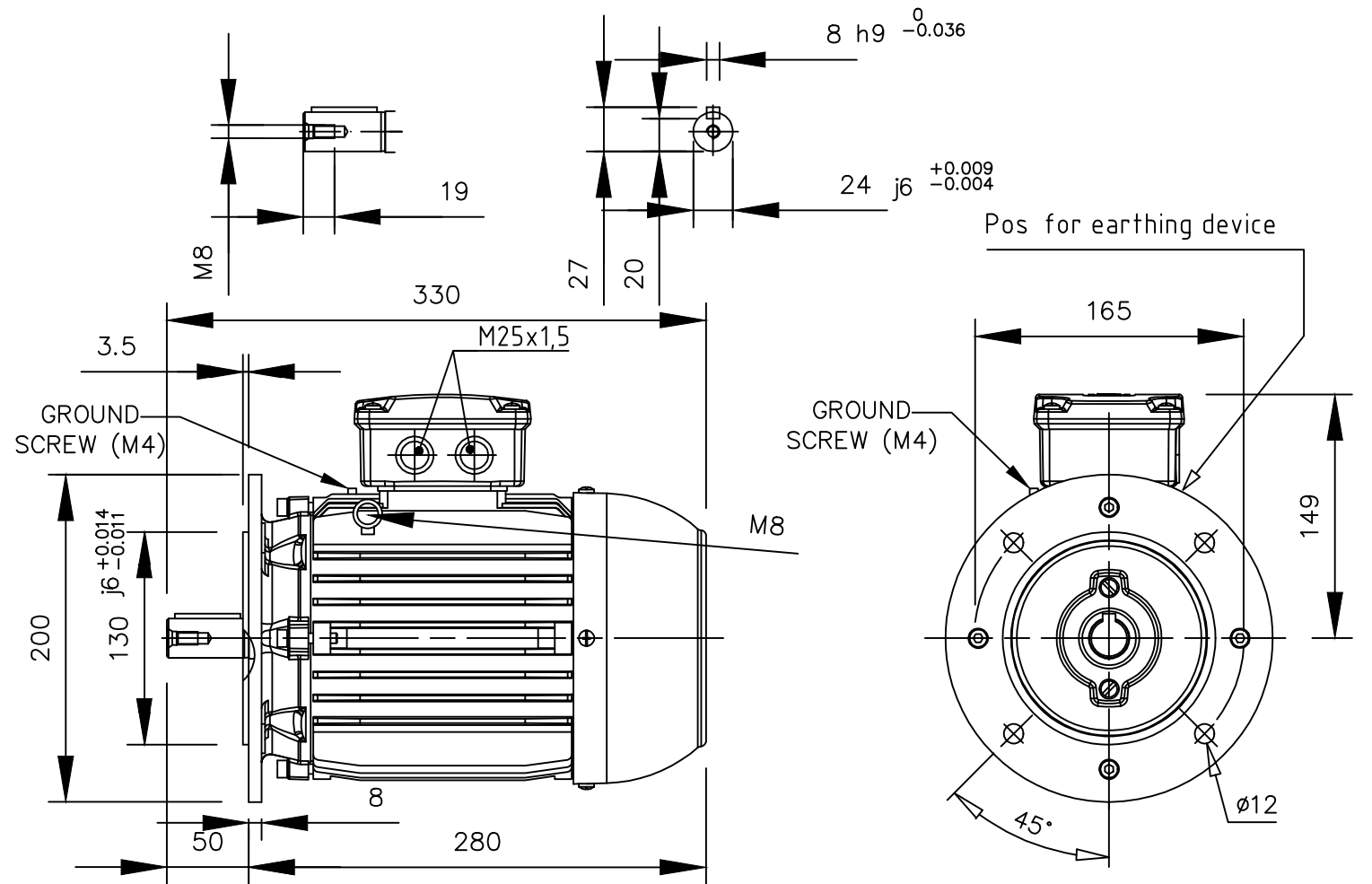
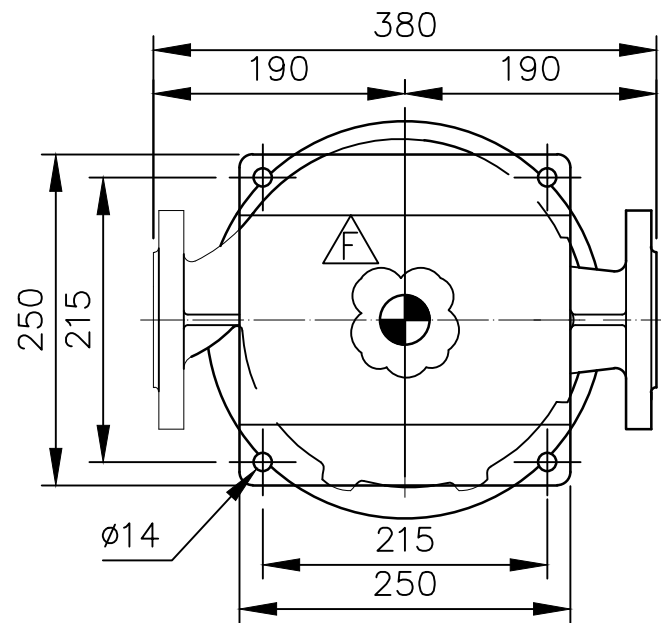
-Connections: 2xM50x1.5(Ø24 min.-Ø35 max.cable) .
1xM20x1.5(Ø9 min.-Ø14 max.cable) .



TAG	QTY	ASSOCIATED EQUIPMENT	FLOW RATE (m3/h)	ELECT. POWER (kW)	VOLTAGE	CLASS.	APROX. WEIGHT (Kg)
PMP-CHW00001	1	CWP-CHW00001	97	35	3x440/60	W	449
PMP-CHW00002	1	CWP-CHW00002	97	35	3x440/60	W	449
PMP-CHW00003	1	CWP-CHW00003	97	35	3x440/60	W	449

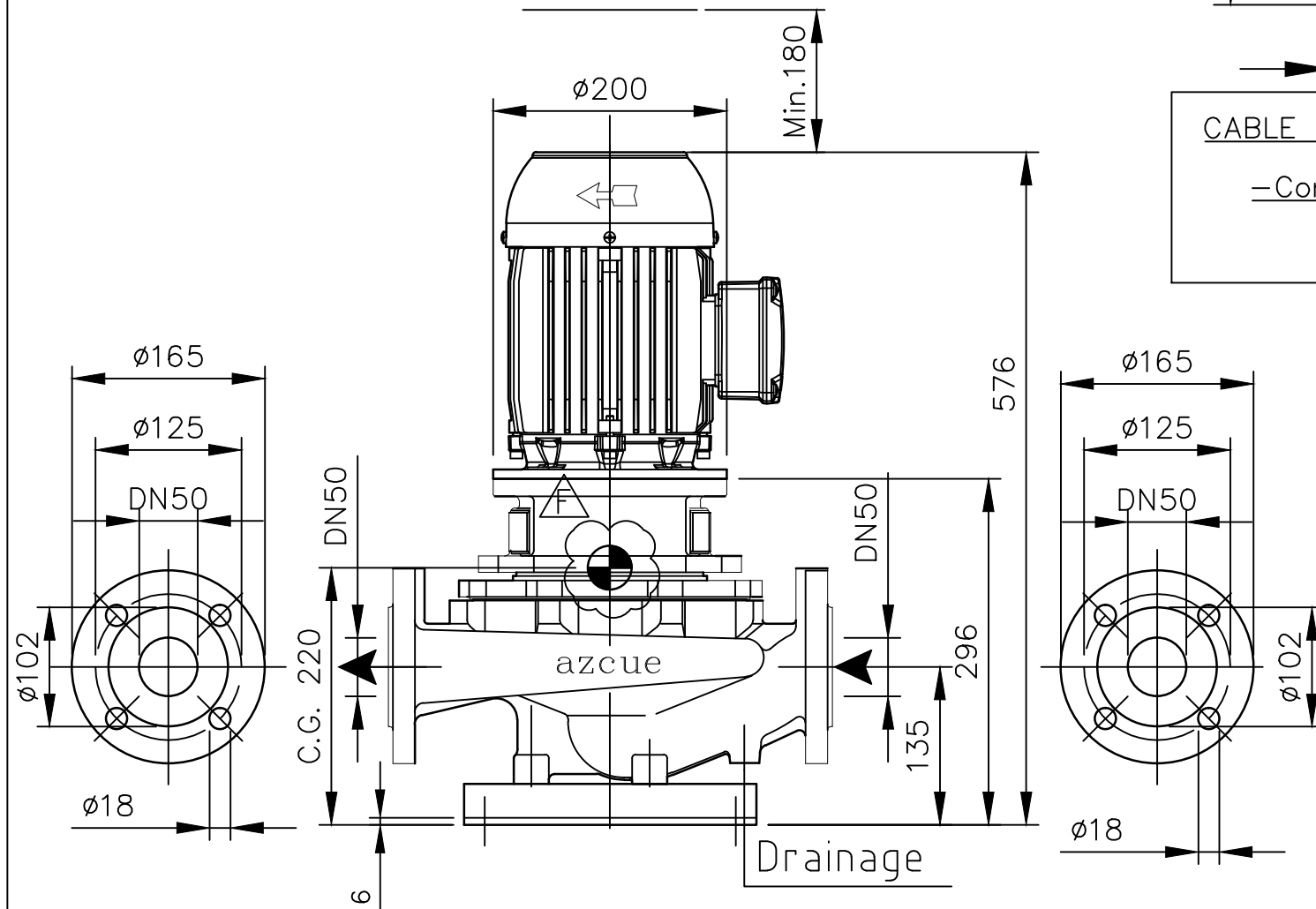
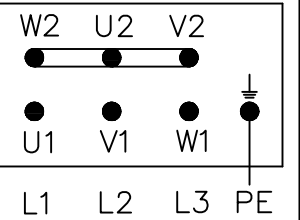
F	UPDATED	06/06/19	JCR	MRH	MRH
E	UPDATED	18/03/19	JCR	MRH	MRH
D	UPDATED	12/02/19	JCR	MRH	MRH
C	UPDATED	05/03/18	JPA	MRH	MRH
B	UPDATED	17/10/17	JCR	MRH	MRH
A	FOR INFO./COMMENTS	07/08/17	JCR	MRH	MRH
REV.	DESCRIPTION	DATE	DRAWN	VERIFIED	APPROVED

PROJECT:					
AVANTE 2200					
DESCRIPTION:		DRAWING NUMBER:			
CHILLED WATER PUMPS		P-M05462-013			
SCALE:	FORMAT:	SHEET:			
NTS	A3	01/02			



CABLE GLANDS:

-Connections: 2xM25x15 (ø11 min.-ø16 max.cable)



TAG	QTY	ASSOCIATED EQUIPMENT	FLOW RATE (m3/h)	ELECT. POWER (kW)	VOLTAGE	CLASS.	APROX. WEIGHT (Kg)
PMP-CHW00004	1	CCO-VEN02011	8.9	1.7	3x440/60	(W)	96

REV.	DESCRIPTION	DATE	DRAWN	VERIFIED	APPROVED
F	UPDATED	06/06/19	JCR	MRH	MRH
E	UPDATED	18/03/19	JCR	MRH	MRH
D	UPDATED	12/02/19	JCR	MRH	MRH
C	UPDATED	05/03/18	JPA	MRH	MRH
B	UPDATED	17/10/17	JCR	MRH	MRH
A	FOR INFO./COMMENTS	07/08/17	JCR	MRH	MRH

PROJECT: AVANTE 2200

DESCRIPTION: CHILLED WATER PUMPS

DRAWING NUMBER: P-M05462-013

SCALE: NTS FORMAT: A3 SHEET: 02/02