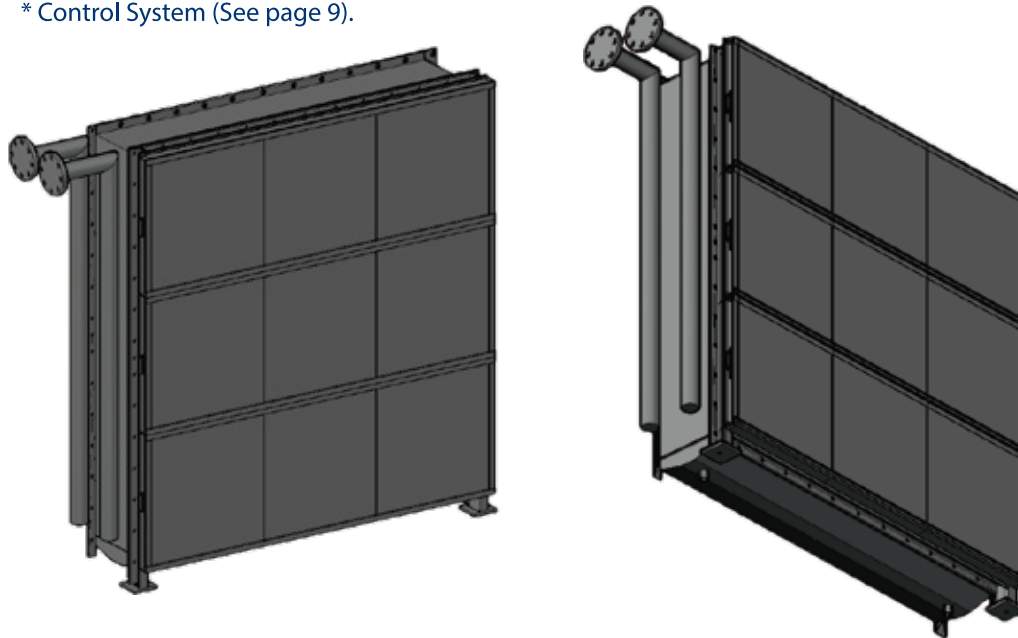


DESCRIPTION

Sea Water Cooling Coil is an equipment provided with a coil which acts as a heat exchanger, cooling the air passing through the duct/trunk/air intake device where it is installed. Cooling coils are finned tube coils fitted inside the recirculation/air intake ducts. Inside these finned tubes, seawater flows as the cooling medium from the ship's fire extinguishing system or a dedicated sea water pump.

* Control System (See page 9).



APPLICATIONS

Ventilation in the Machinery Rooms is achieved by means of intake and exhaust fans.

During the normal operating condition, intake fans supply outside air in order to remove the heat radiated by the main engines, diesel-generators and other equipment, with the aim to maintain the design temperature in the machinery room. This system is complemented with these sea water coils and thanks to these equipment the flow temperature can be reduced.

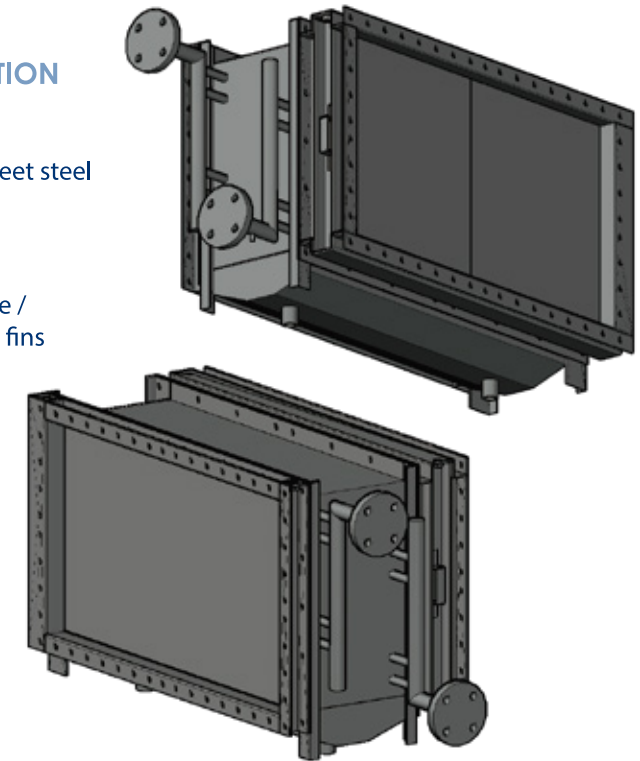
In the closed condition (NBC), no outside air is introduced the air from the engine room casing will be taken by the recirculation fans, cooled down by these sea water cooling coils and supplied back in the room.

SPECIAL UNITS

Shock qualification according to project requirement

MATERIAL SPECIFICATION

- ▶ **Basic casing:**
 - External galvanized sheet steel
 - Stainles Steel
- ▶ **Cooling coil:**
 - Cupronickel 90/10 tube / prepainted aluminium fins
- ▶ **Housing:**
 - Galvanised sheet steel
- ▶ **Main drip pan:**
 - Stainless steel
- ▶ **Filter element:**
 - Stainless steel



DATA SHEET

Wide range of products, adapted to each project requirements:

Cooling power according to the project calculations 10kW... 100 kW.

Examples

MODEL	COOLING CAPACITY (kW)	AIRFLOW (M3/H)
FRIZONIA FZSWR9	9	3615
FRIZONIA FZSWR42	42	17000
FRIZONIA FZSWR102	102	41000