

DESCRIPTION

Sea Water Fan Cooler is an equipment provided with a coil which acts as a heat exchanger, cooling the air passing through the equipment and blown back in the room.



Cooling coils are finned tube coils inside these finned tubes, seawater flows as the cooling medium from the ship's fire extinguishing system or a dedicated sea water pump.

These units are fitted with a fan blowing directly into the served room, since they are not connected to the duct system.

*Control System (See page 9).

APPLICATIONS

Ventilation in the Machinery Rooms is achieved by means of intake and exhaust fans.

In case of high outdoor air temperature and/or high cooling power requirements the ventilation system is complemented with these sea water fan coolers.

In the closed condition (NBC), no outside air is introduced directly therefore the use of these sea water fan coolers is an adequate solution.

DATA SHEET

Wide range of products, adapted to each project requirements:

Cooling capacity according to the room where the equipment is installed.

6kW...120 kW...customized.

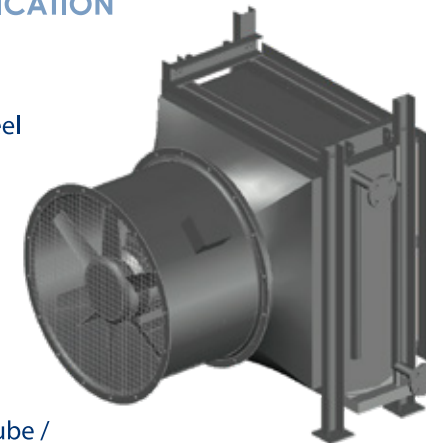
Power supply 230V...400V...440V...690V and 50/60Hz

SPECIAL UNITS

- › Equipment and/or components certified by the selected Classification Society
- › Dangerous atmosphere equipment available proxy
- › Shock qualification according to project requirement

MATERIAL SPECIFICATION

- › **Casing:**
 - Galvanized sheet steel
 - Stainless Steel
- › **Support frame:**
 - Painted steel
- › **Cooling coil:**
 - Cupronickel 90/10 tube / pre-painted aluminium fins / stainless steel frame
- › **Fan with housing:**
 - Galvanized sheet steel
 - Stainless Steel
- › **Main drip pan:**
 - Stainless steel AISI 304L
- › **Filter element:**
 - Stainless steel



› Examples

MODEL	AIRFLOW (m ³ /h)	COOLING CAPACITY (kW)	ELECTRIC POWER (kW)
FZSWF6	5800	6	3 / 1
FZSWF23	22000	23	5 / 1
FZSWF28	27000	28	5 / 1
FZSWF47	17685	47	4 / 1
FZSWF117	45000	117	15 / 3