

## DESCRIPTION

Unit Cooler is an encased ceiling type equipment, including elements to get the required airflow and heat transfer between the served room air and the chilled water system.

The unit includes three sections:

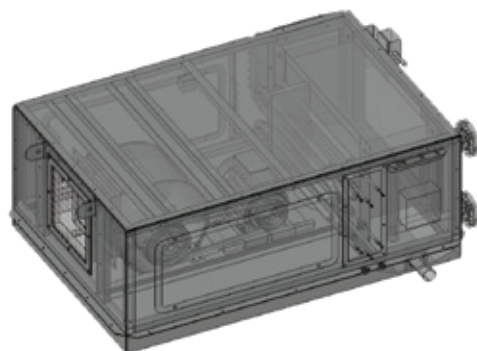
- Ventilation section. Includes a centrifugal fan, motor and a terminal box for electrical connections
- Cooling section. Water-cooling coil with condensate tray and drainage connections
- Filtration section

\*Control System (See page 9).

## APPLICATIONS

Unit Coolers are installed inside the served space.

They are usually installed where the installation of fan coil assemblies and duct system is not adequate.



## MATERIAL SPECIFICATION

### Cooling Coil

- Copper tubes
- Copper or Aluminium fins

### Casing

- Painted galvanized steel or Stainles Steel

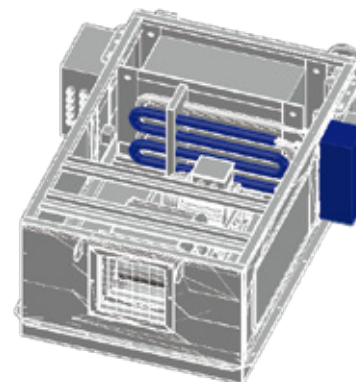
### Insulation

- Closed-cell foam

## DATA SHEET

MODEL	COOLING CAPACITY (kW)	AIRFLOW (m <sup>3</sup> /h)	APPROX. DIMENSIONS (mm) Front x Depth x Height	APPROX WEIGHT (kg)
51 UC	3	365	1046 x 784 x 418	85
52 UC	4	580	1046 x 784 x 418	85
53 UC	5	870	1046 x 784 x 418	85
54 UC	7	1275	1095 x 1271 x 418	120
55 UC	11	1900	1095 x 1271 x 418	120

## SPECIAL UNITS



### HEATING

As optional, it could be installed a heater to provide heating performance.

#### Special features

- Stainless Steel frame and junction Box
- Automatic safety protection
- 1.5 Kw, 2.5 Kw, 3 Kw, 3x440 V
- Shock qualification according to project requirement

### UC RADAR

Units serving outdoor technical spaces could be installed on an exposed deck. In this case, external profile is adapted in order to fulfil radar cross section requirements.

#### Special features

- Shock qualification according to project requirement
- Floor mounting
- External casing



### UC SILENT

When noise requirements of served room are lower than the standard, this special unit is provided with noise reduction due to the specific analysis of the insulation and fan performance.

#### Special features

- Low - speed fan
- Mineral wool insulation
- Shock qualification according to project requirement

